

4

3

2

1

COVER

D

D

C

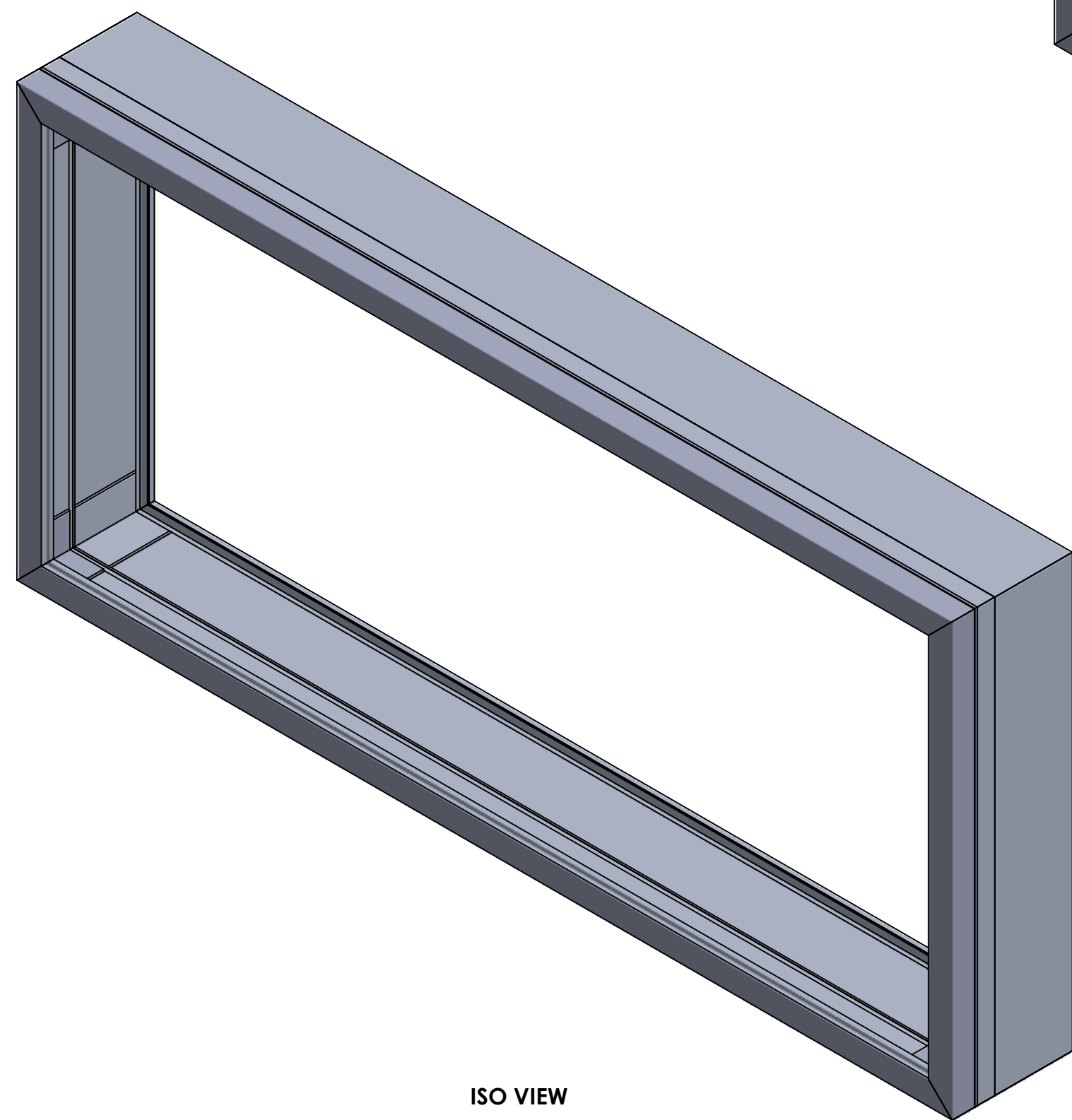
C

B

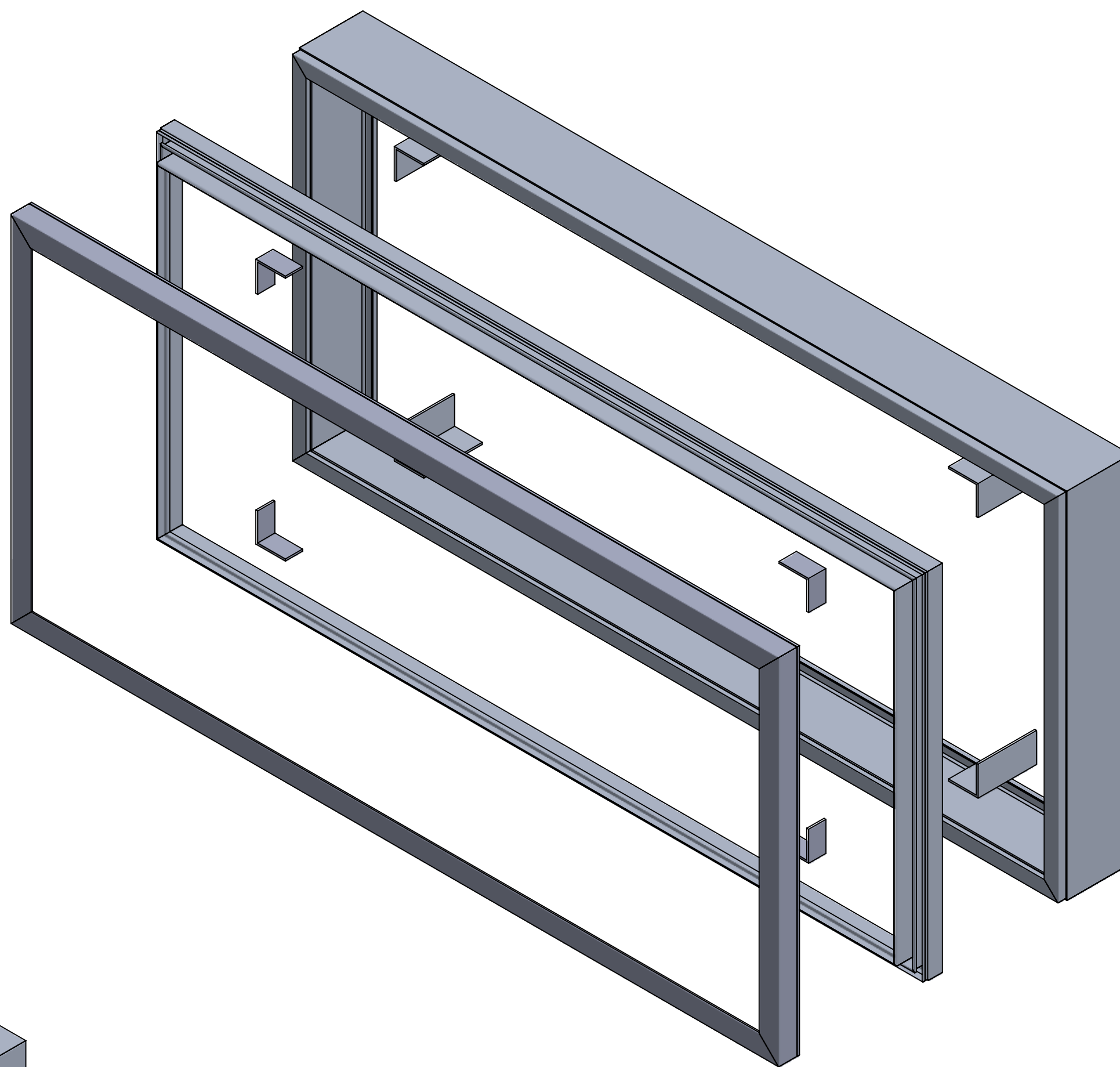
B

A


A



ISO VIEW



ISO VIEW (EXPLODED)

<b>EXCELLART SIGN PRODUCTS, LLC.</b> 1654 S. LONE ELM RD. OLATHE, KS 66061 (800) 627-9044 SALES@EXCELLART.COM WWW.EXCELLART.COM		UNLESS OTHERWISE SPECIFIED: DIMENSIONS ARE IN INCHES TOLERANCES FRAC = ± 1/32" X.XX = ± 0.03 X.XXX = ± 0.010 ANGULAR: MACH ± 1° BEND ± 2°	ASSEMBLY ID: <b>ESPS-SF-RTORTSF</b>
THE INFORMATION CONTAINED IN THIS DRAWING IS THE SOLE PROPERTY OF EXCELLART SIGN PRODUCTS, LLC. ANY REPRODUCTION IN PART OR AS A WHOLE WITHOUT THE WRITTEN PERMISSION OF EXCELLART SIGN PRODUCTS, LLC IS PROHIBITED.		<b>PROPRIETARY AND CONFIDENTIAL</b>	DESCRIPTION: <b>ESP-SF STANDARD W. FLEX RETRO AND RETRO TRIM</b>
		DRAWN BY: <b>EXCELLART</b>	APPROVED BY:
SIZE <b>C</b>	Weight: <b>57.94</b> (lbs) Perimeter Length: <b>19</b> (ft)	REV -	SCALE: 1:8 1/8/2024 SHEET 1 OF 3

4

3

2

1

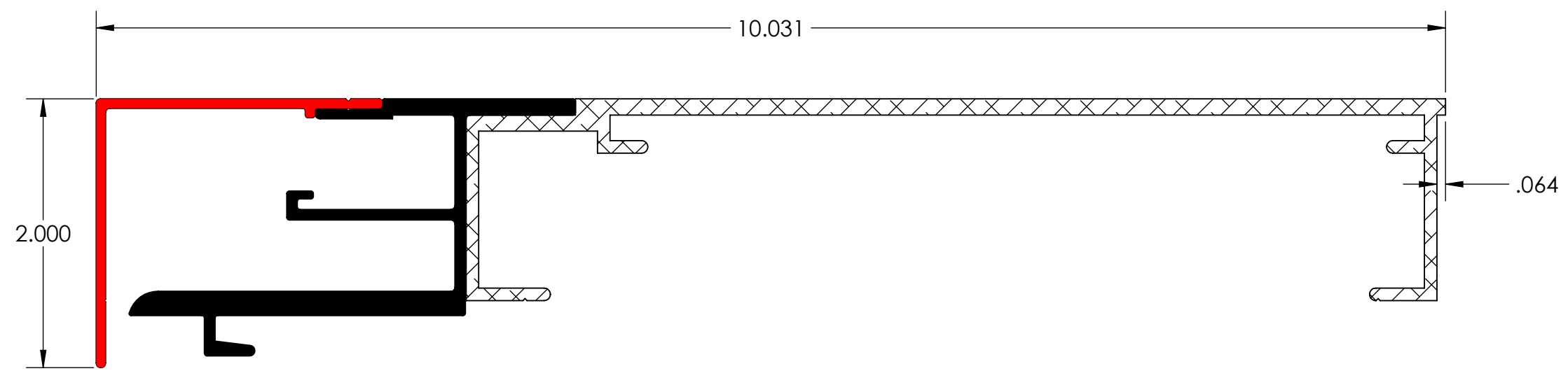
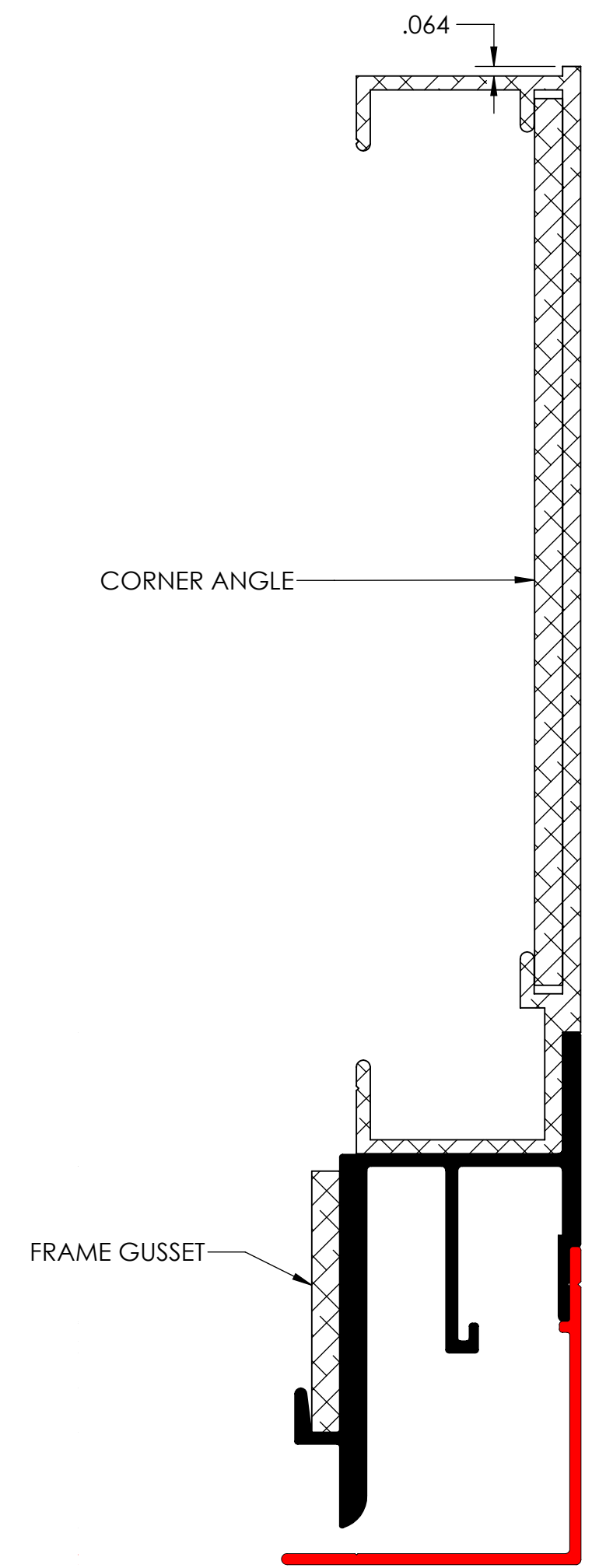
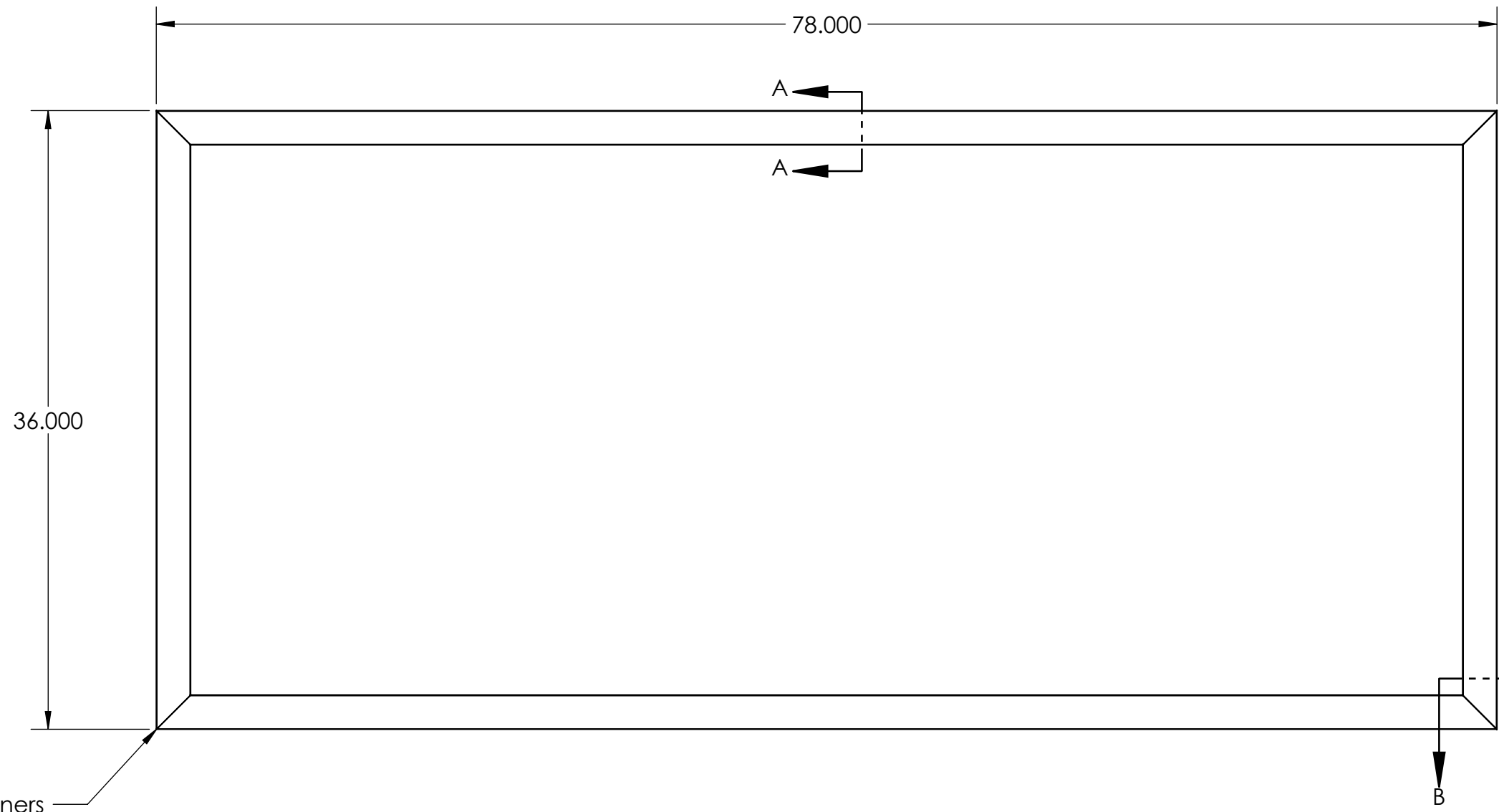
4

3

2


1

DIMS



SECTION B-B  
ESP-SF FRAME W/ ESP-FLEX RETRO FRAME AND RETRO TRIM  
SCALE 1 : 1

SECTION A-A  
ESP-SF FRAME W/ ESP-FLEX RETRO FRAME AND RETRO TRIM  
SCALE 1 : 1

<p><b>EXCELLART SIGN PRODUCTS, LLC.</b> 1654 S. LONE ELM RD. OLATHE, KS 66061 (800) 627-9044 SALES@EXCELLART.COM WWW.EXCELLART.COM</p> 	<p>UNLESS OTHERWISE SPECIFIED: DIMENSIONS ARE IN INCHES TOLERANCES FRAC = ± 1/32" X.XX = ± 0.03 X.XXX = ± 0.010 ANGULAR: MACH ± 1 BEND ± 2</p>	<p>ASSEMBLY ID: <b>ESPS-SF-RTORTSF</b></p>		
	<p>PROPRIETARY AND CONFIDENTIAL THE INFORMATION CONTAINED IN THIS DRAWING IS THE SOLE PROPERTY OF EXCELLART SIGN PRODUCTS, LLC. ANY REPRODUCTION IN PART OR AS A WHOLE WITHOUT THE WRITTEN PERMISSION OF EXCELLART SIGN PRODUCTS, LLC IS PROHIBITED.</p>	<p>DESCRIPTION: <b>ESP-SF STANDARD W. FLEX RETRO AND RETRO TRIM</b></p>		
	<p>SCALE: 1:8</p>	<p>DATE: 1/8/2024</p>	<p>APPROVED BY:</p>	<p>REV</p>
	<p>Weight: <b>57.94</b> (lbs)</p>	<p>Perimeter Length: <b>19</b> (ft)</p>	<p>SCALE: 1:8</p>	<p>1/8/2024</p>

4

3

2

1

A

A

4

3

2

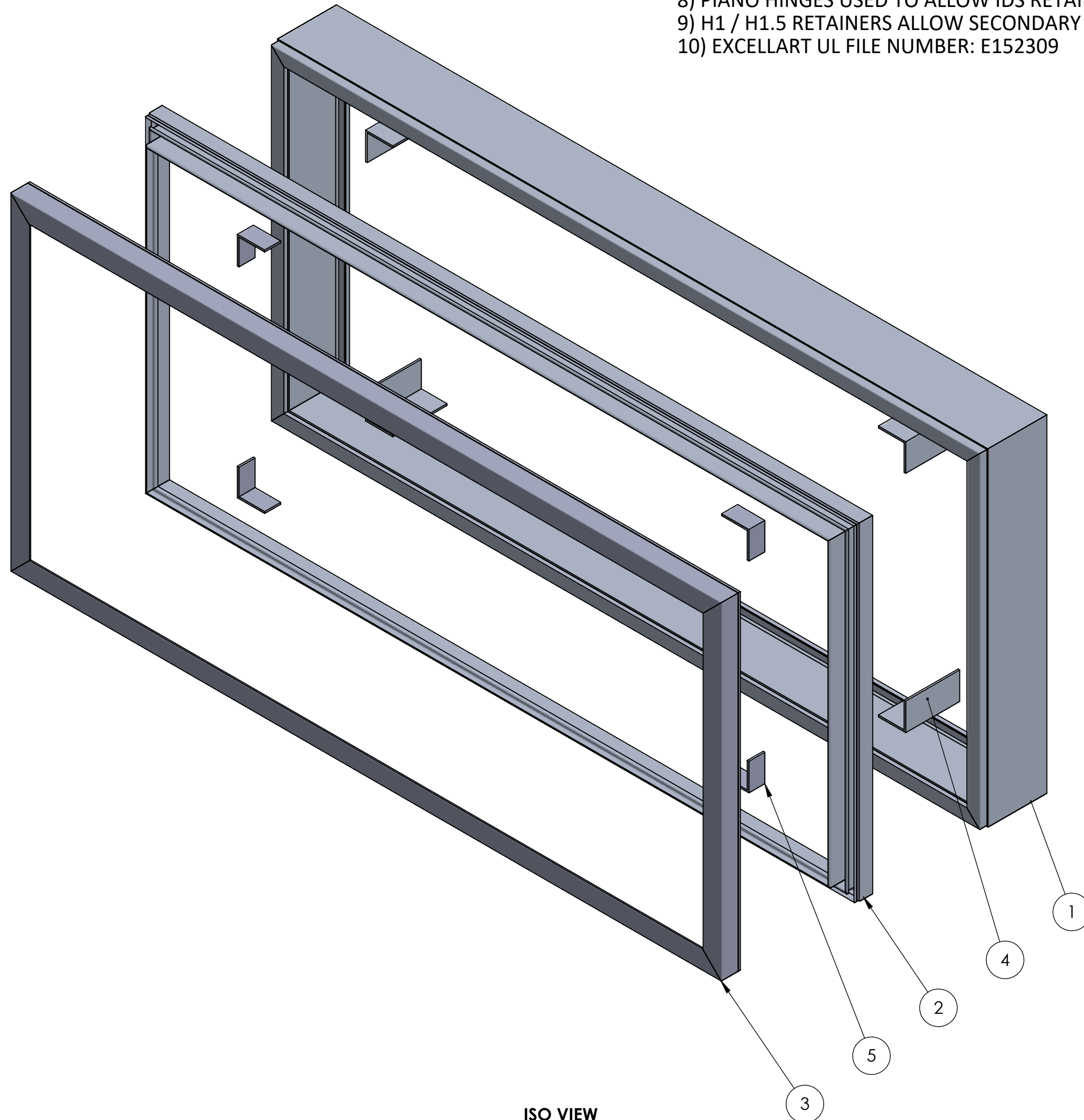
1

BOM

ITEM NO.	PART NUMBER	DESCRIPTION	MATERIAL	QTY.
1	ESP1280505	ESP-SF STANDARD FRAME	6063-T6	1
2	ESP1280503	ESP- FLEX RETRO FRAME	6063-T6	1
3	ESP1280504	ESP-RETRO TRIM	6063-T6	1
4	ESP1280139	5 15/16" X 3" X 3" X 3/16" ANGLE	6063-T6	4
5	ESP1280307	1 3/4" X 3" X 3" X 3/16" GUSSET	6063-T6	4

NOTES:

- 1) ESP-SF KIT WITH FLEX STANDARD AND BLEED TRIM CONSISTS OF QTY (4) ESP-SF FRAME PIECES, QTY (4) CORNER ANGLES, QTY (4) ESP-FLEX STANDARD FRAME PIECES, QTY (4) FRAME GUSSETS, AND QTY (4) BLEED TRIM PIECES
- 2) ANGLES ARE USED TO GUIDE FRAME PIECES INTO POSITION
- 3) GUSSETS ARE USED TO GUIDE RETAINER PIECES INTO POSITION (IF APPLICABLE)
- 4) HINGED FRAME SECTION AND HINGED RETAINERS SHOWN TO BE ON TOP OF SIGN CABINET (IF APPLICABLE)
- 5) SELF DRILLING SCREWS / RIVETS / LOCK CYLINDERS ETC (BY OTHERS) TO SECURE RETAINERS AS NEEDED
- 6) ANGLES AND GUSSETS TYPICALLY WELDED TO FRAMING (BY OTHERS)
- 7) 6" - 8" CENTER TO CENTER SPACING RECOMMENDED FOR FLEX CLIPS
- 8) PIANO HINGES USED TO ALLOW IDS RETAINERS TO HINGE OPEN (IF APPLICABLE)
- 9) H1 / H1.5 RETAINERS ALLOW SECONDARY FACE TO BE MOUNTED BEHIND PRIMARY FACE
- 10) EXCELLART UL FILE NUMBER: E152309



ISO VIEW (EXPLODED)

<b>EXCELLART SIGN PRODUCTS, LLC.</b> 1654 S. LONE ELM RD. OLATHE, KS 66061 (800) 627-9044 SALES@EXCELLART.COM WWW.EXCELLART.COM	UNLESS OTHERWISE SPECIFIED: DIMENSIONS ARE IN INCHES TOLERANCES: FRAC = ± 1/32" X.XX = ± 0.03 X.XXX = ± 0.010 ANGULAR: MACH ± 1° BEND ± 2°	ASSEMBLY ID: <b>ESPS-SF-RTORTSF</b>	
		DESCRIPTION: <b>ESP-SF STANDARD W. FLEX RETRO AND RETRO TRIM</b>	
PROPRIETARY AND CONFIDENTIAL THE INFORMATION CONTAINED IN THIS DRAWING IS THE SOLE PROPERTY OF EXCELLART SIGN PRODUCTS, LLC. ANY REPRODUCTION IN PART OR AS A WHOLE WITHOUT THE WRITTEN PERMISSION OF EXCELLART SIGN PRODUCTS, LLC IS PROHIBITED.	DRAWN BY: <b>EXCELLART</b>	APPROVED BY:	
	SIZE: <b>C</b>	Weight: <b>57.94</b> (lbs)	REV: -
	Perimeter Length: <b>19</b> (ft)		SCALE: 1:8
	1/8/2024		SHEET 3 OF 3

4

3

2

1