

4

3

2

1

COVER

D

D

C

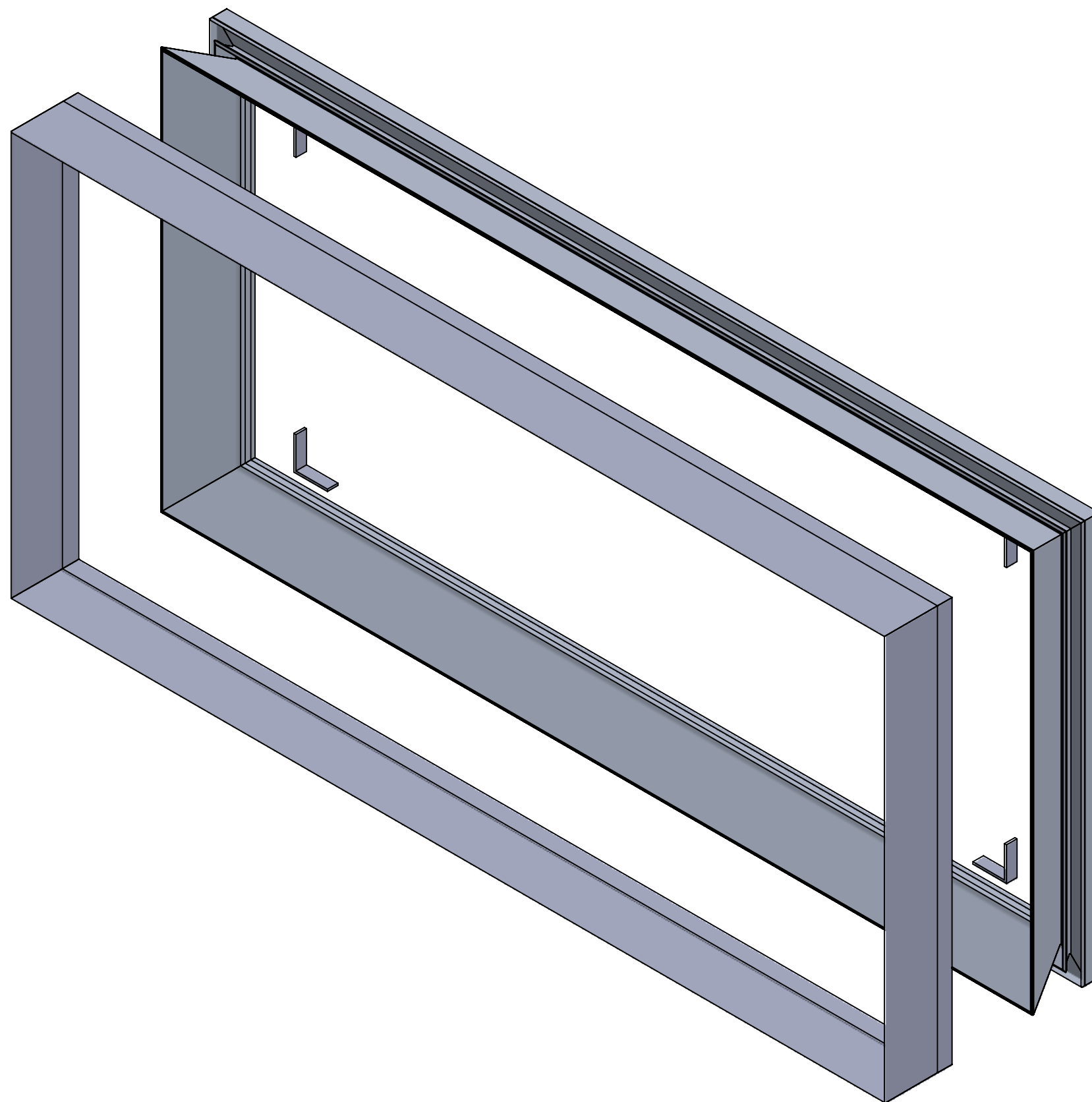
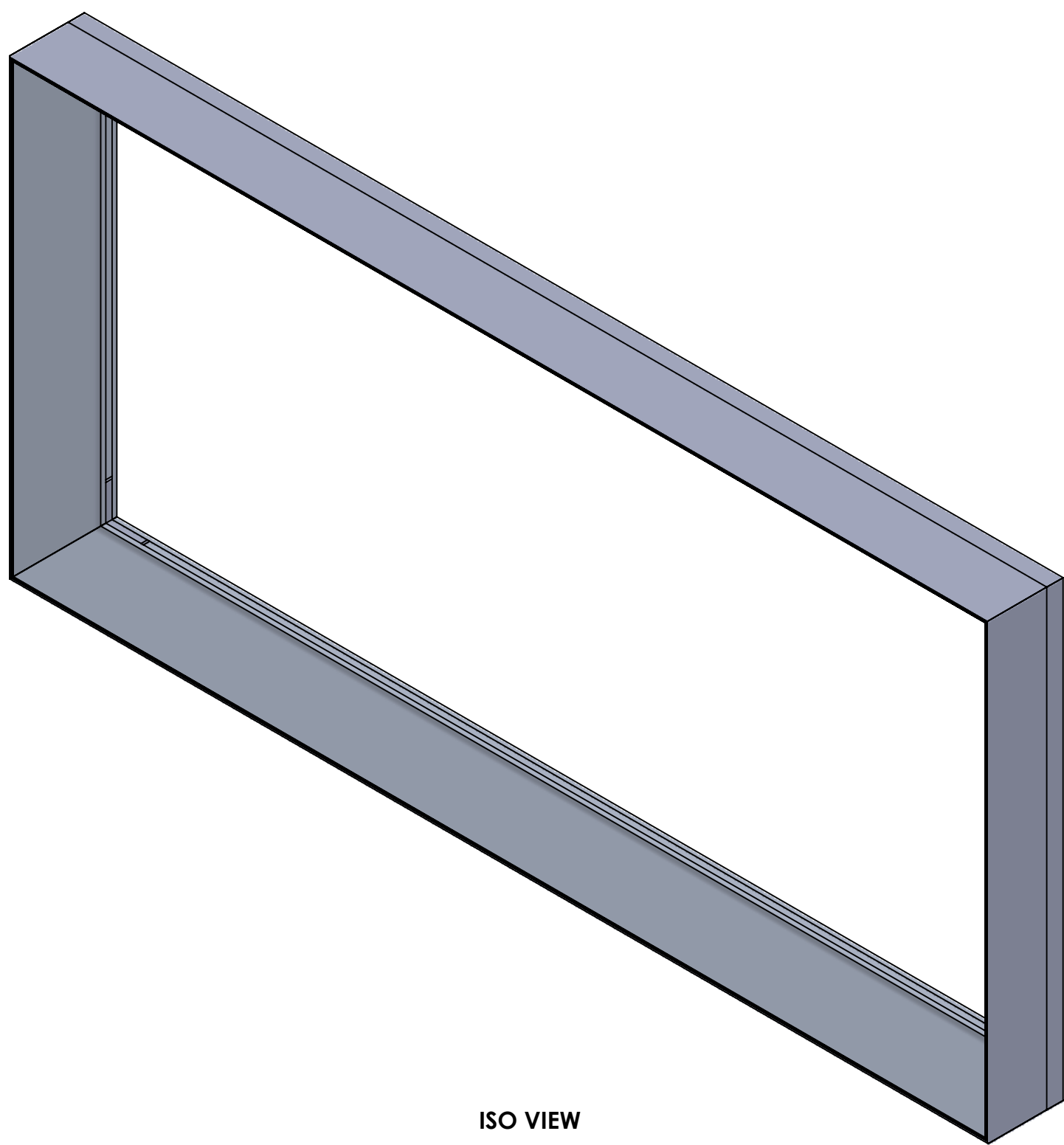
C


B

B

A

A



EXCELLART SIGN PRODUCTS, LLC. 1654 S. LONE ELM RD. OLATHE, KS 66061 (800) 627-9044 SALES@EXCELLART.COM WWW.EXCELLART.COM		UNLESS OTHERWISE SPECIFIED: DIMENSIONS ARE IN INCHES TOLERANCES FRAC = ± 1/32" X.XX = ±0.03 X.XXX = ±0.010 ANGULAR: MACH ±1 BEND ±2		ASSEMBLY ID: ESP-INT2-BTSF	
 <p>THE INFORMATION CONTAINED IN THIS DRAWING IS THE SOLE PROPERTY OF EXCELLART SIGN PRODUCTS, LLC. ANY REPRODUCTION IN PART OR AS A WHOLE WITHOUT THE WRITTEN PERMISSION OF EXCELLART SIGN PRODUCTS, LLC IS PROHIBITED.</p>		PROPRIETARY AND CONFIDENTIAL		DESCRIPTION: ESP-FLEX INT2 W. BLEED TRIM	
		DRAWN BY: EXCELLART		APPROVED BY:	
SIZE	Weight: 45.96 (lbs)	REV			
C	Perimeter Length: 19 (ft)	-			
SCALE: 1:8	1/8/2024	SHEET 1 OF 3			

4

3

2

1

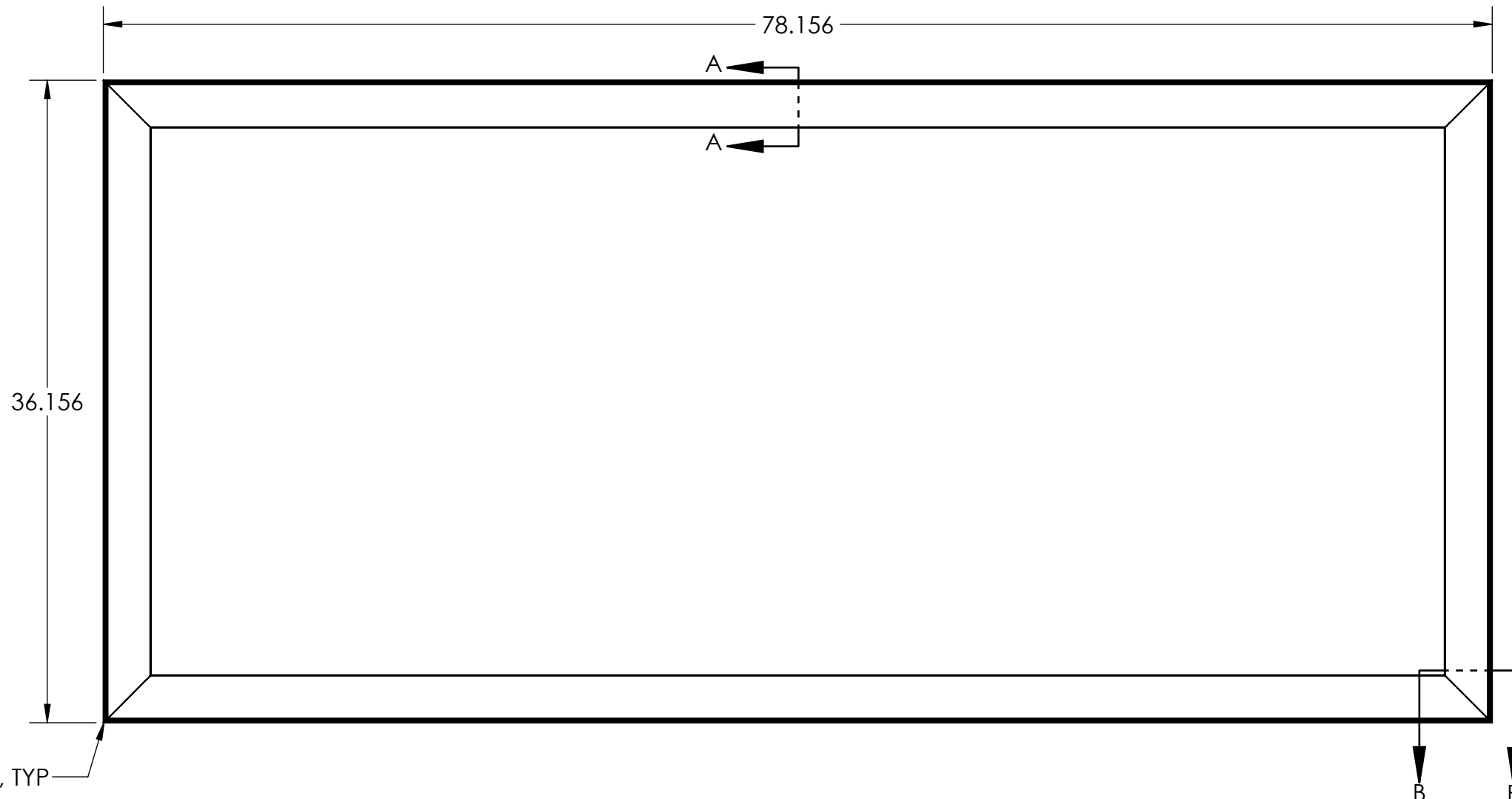
4

3

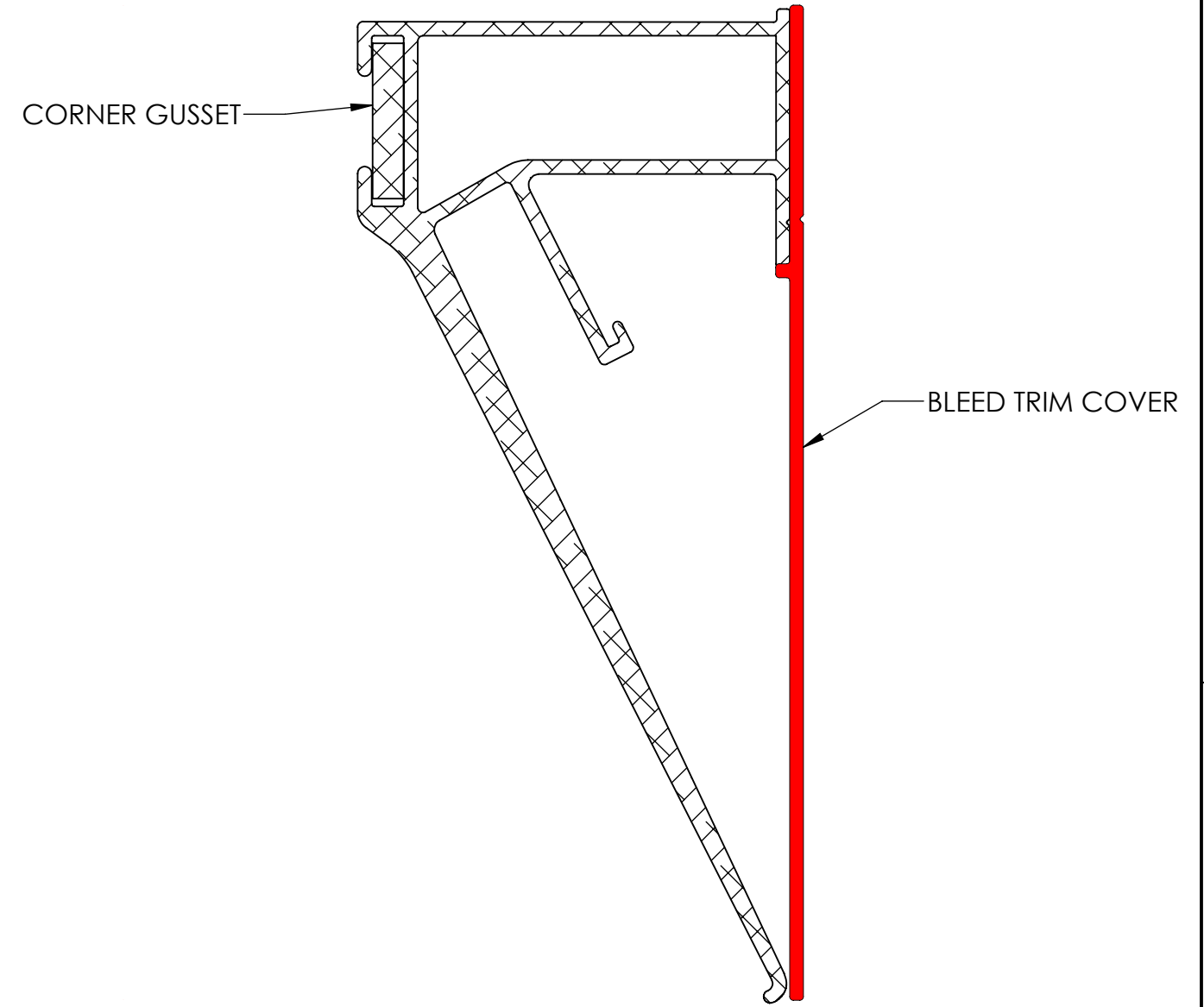
2

1

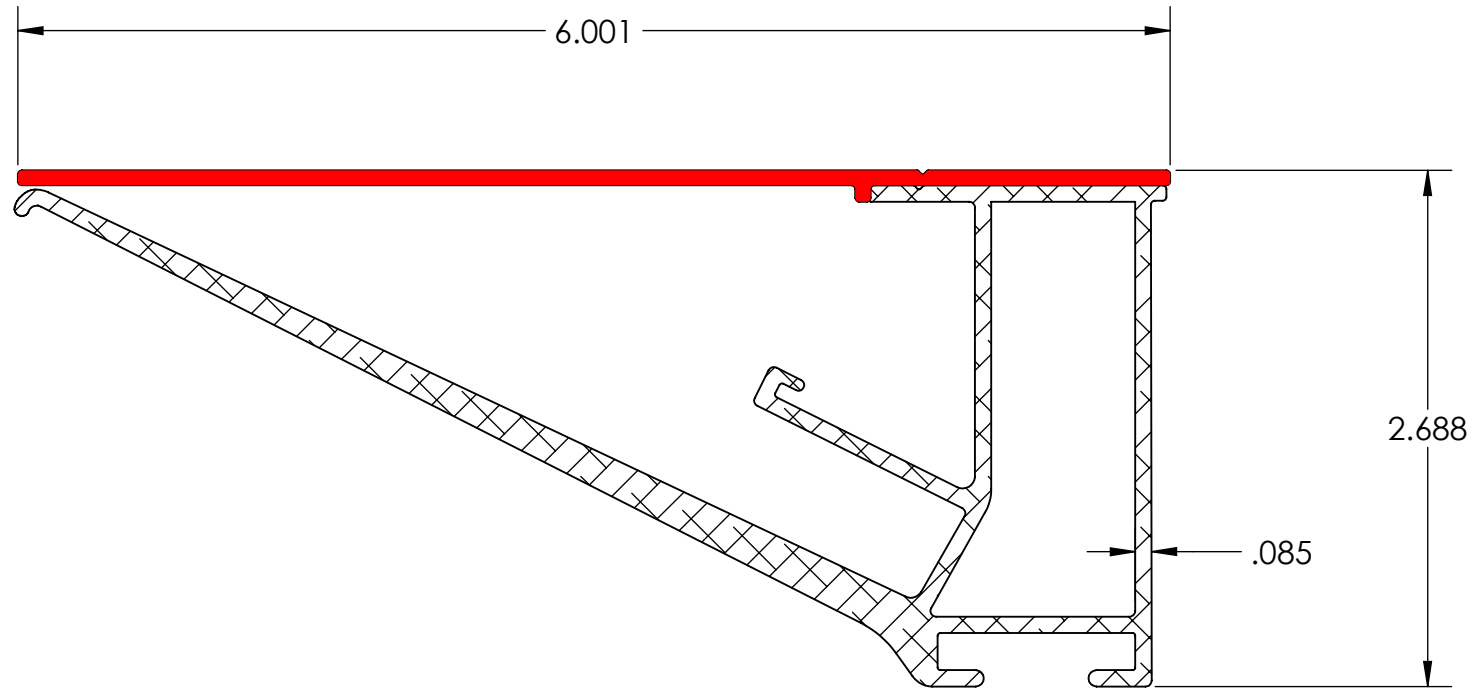
DIMS




FRONT VIEW



SECTION B-B
ESP-FLEX INTEGRATED 2.0 FRAME WITH BLEED TRIM
SCALE 1 : 1



SECTION A-A
ESP-FLEX INTEGRATED 2.0 FRAME WITH BLEED TRIM
SCALE 1 : 1

EXCELLART SIGN PRODUCTS, LLC. 1654 S. LONE ELM RD. OLATHE, KS 66061 (800) 627-9044 SALES@EXCELLART.COM WWW.EXCELLART.COM		UNLESS OTHERWISE SPECIFIED: DIMENSIONS ARE IN INCHES TOLERANCES FRAC = ± 1/32" X.XX = ±0.03 X.XXX = ±0.010 ANGULAR: MACH±1 BEND ±2		ASSEMBLY ID: ESP-INT2-BTSF	
		PROPRIETARY AND CONFIDENTIAL THE INFORMATION CONTAINED IN THIS DRAWING IS THE SOLE PROPERTY OF EXCELLART SIGN PRODUCTS, LLC. ANY REPRODUCTION IN PART OR AS A WHOLE WITHOUT THE WRITTEN PERMISSION OF EXCELLART SIGN PRODUCTS, LLC IS PROHIBITED.		DESCRIPTION: ESP-FLEX INT2 W. BLEED TRIM	
		DRAWN BY: EXCELLART		APPROVED BY:	
SIZE	Weight: 45.96 (lbs)	REV			
C	Perimeter Length: 19 (ft)	-			
SCALE: 1:8	1/8/2024	SHEET 2 OF 3			

4

3

2

1

A

A

B

B

C

C

D

D

4

3

2

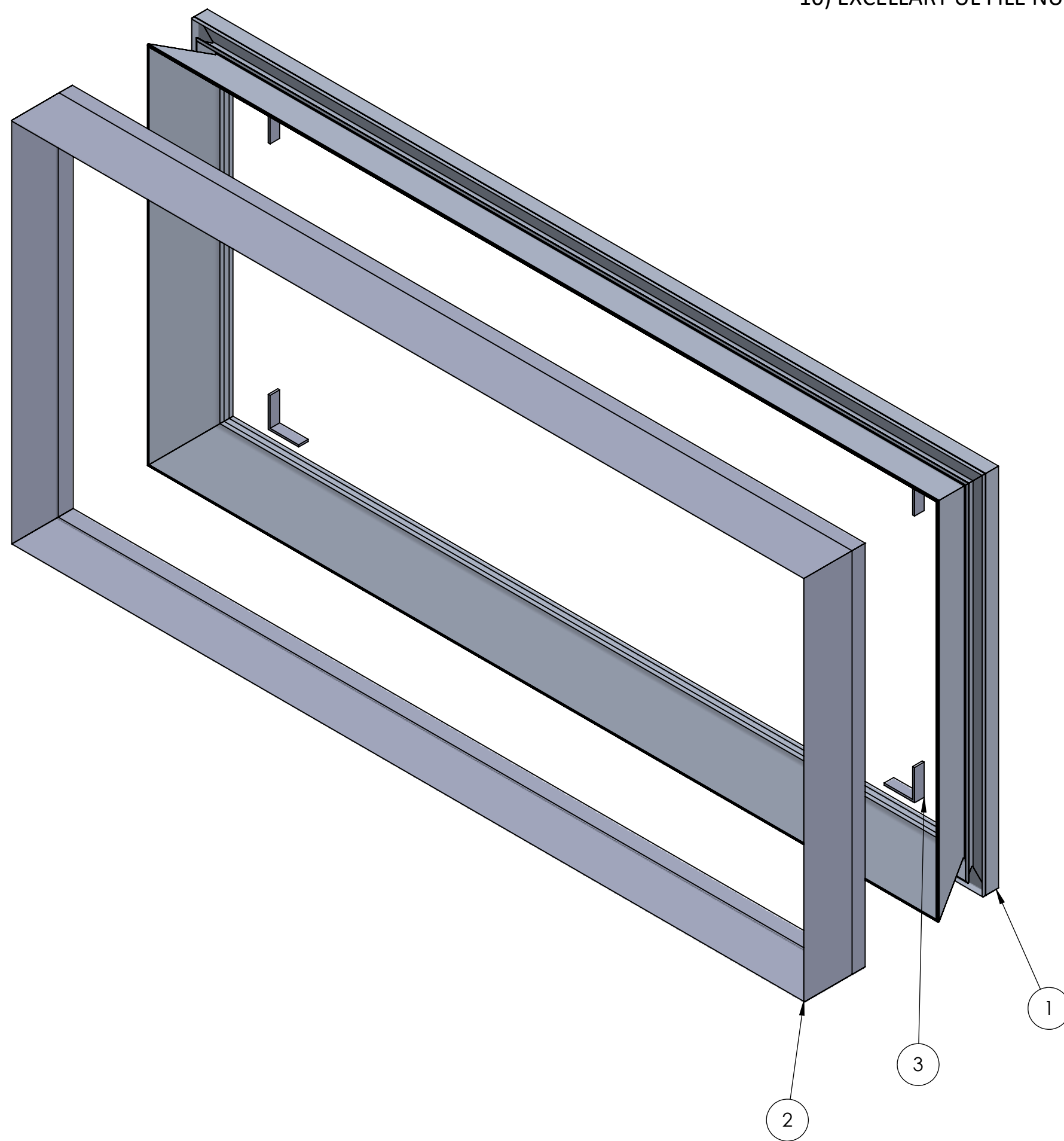
1

BOM

ITEM NO.	PART NUMBER	DESCRIPTION	MATERIAL	QTY.
1	ESP1280426	ESP-FLEX INTEGRATED 2.0 FRAME	6063-T6	1
2	ESP1280416	ESP-BLEED TRIM FOR FLEX INT 2.0	6063-T6	1
3	ESP1280428	15/16" X 3" X 3" X 3/16" GUSSET	6063-T6	4

NOTES:

- 1) ESP-FLEX INTEGRATED 2.0 KIT CONSISTS OF QTY (4) CORNER GUSSETS, QTY (4) ESP-FLEX INTEGRATED 2.0 FRAME PIECES, AND QTY (4) BLEED TRIM PIECES
- 2) ANGLES ARE USED TO GUIDE FRAME PIECES INTO POSITION
- 3) GUSSETS ARE USED TO GUIDE RETAINER PIECES INTO POSITION (IF APPLICABLE)
- 4) HINGED FRAME SECTION AND HINGED RETAINERS SHOWN TO BE ON TOP OF SIGN CABINET (IF APPLICABLE)
- 5) SELF DRILLING SCREWS / RIVETS / LOCK CYLINDERS ETC (BY OTHERS) TO SECURE RETAINERS AS NEEDED
- 6) ANGLES AND GUSSETS TYPICALLY WELDED TO FRAMING (BY OTHERS)
- 7) 6" - 8" CENTER TO CENTER SPACING RECOMMENDED FOR FLEX CLIPS
- 8) PIANO HINGES USED TO ALLOW IDS RETAINERS TO HINGE OPEN (IF APPLICABLE)
- 9) H1 / H1.5 RETAINERS ALLOW SECONDARY FACE TO BE MOUNTED BEHIND PRIMARY FACE
- 10) EXCELLART UL FILE NUMBER: E152309



ISO VIEW (EXPLODED)

EXCELLART SIGN PRODUCTS, LLC. 1654 S. LONE ELM RD. OLATHE, KS 66061 (800) 627-9044 SALES@EXCELLART.COM WWW.EXCELLART.COM		UNLESS OTHERWISE SPECIFIED: DIMENSIONS ARE IN INCHES TOLERANCES FRAC = ± 1/32" X.XX = ±0.03 X.XXX = ±0.010 ANGULAR: MACH±1 BEND ±2		ASSEMBLY ID: ESP-INT2-BTSF	
<small>THE INFORMATION CONTAINED IN THIS DRAWING IS THE SOLE PROPERTY OF EXCELLART SIGN PRODUCTS, LLC. ANY REPRODUCTION IN PART OR AS A WHOLE WITHOUT THE WRITTEN PERMISSION OF EXCELLART SIGN PRODUCTS, LLC IS PROHIBITED.</small>		DRAWN BY: EXCELLART		APPROVED BY:	
		SIZE: C Weight: 45.96 (lbs) Perimeter Length: 19 (ft)	REV: - SCALE: 1:8 1/8/2024 SHEET 3 OF 3		

4

3

2

1

D

D

C

C

B

B

A

A