

4

3

2

1

COVER

D

D

C

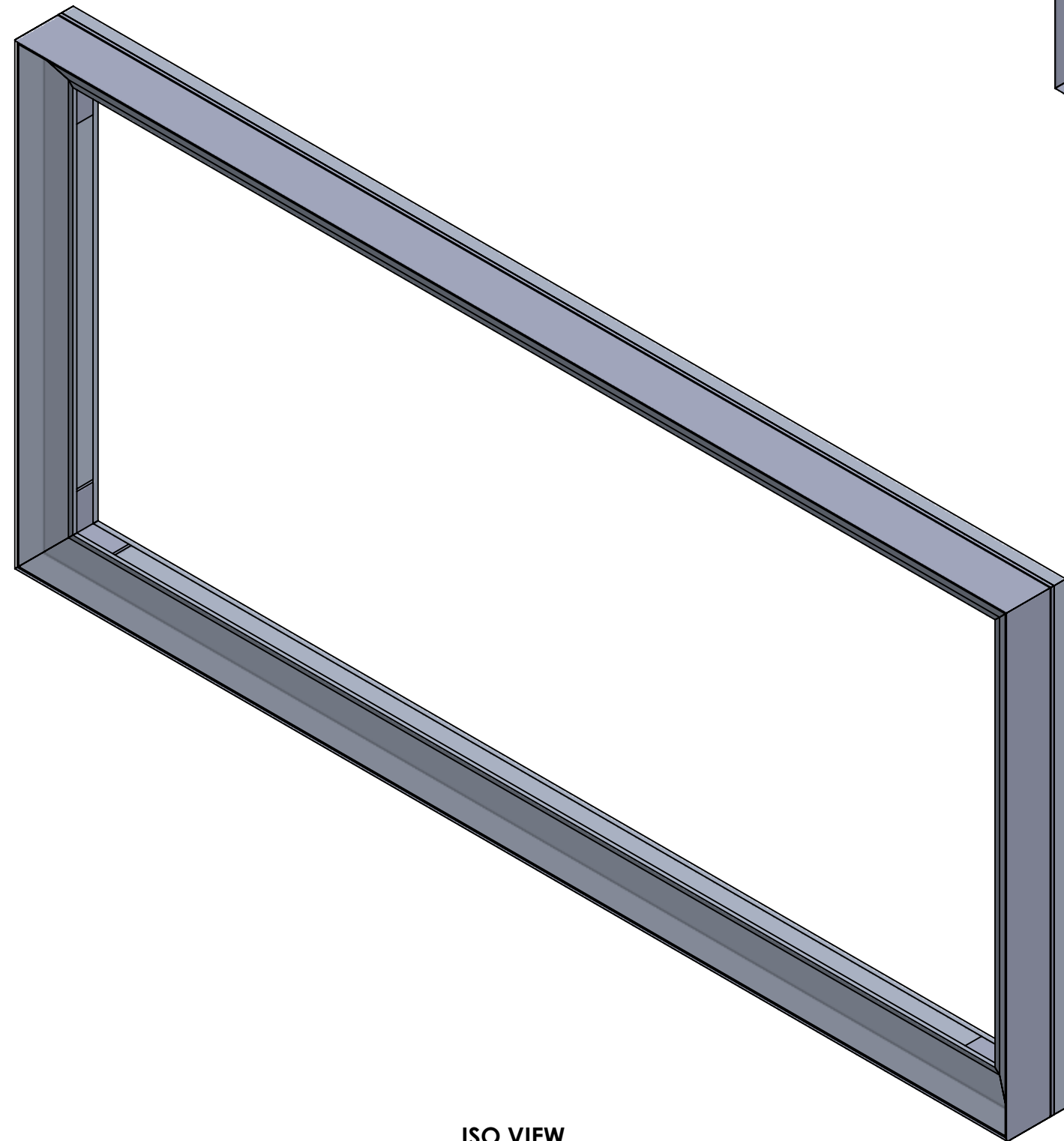
C

B

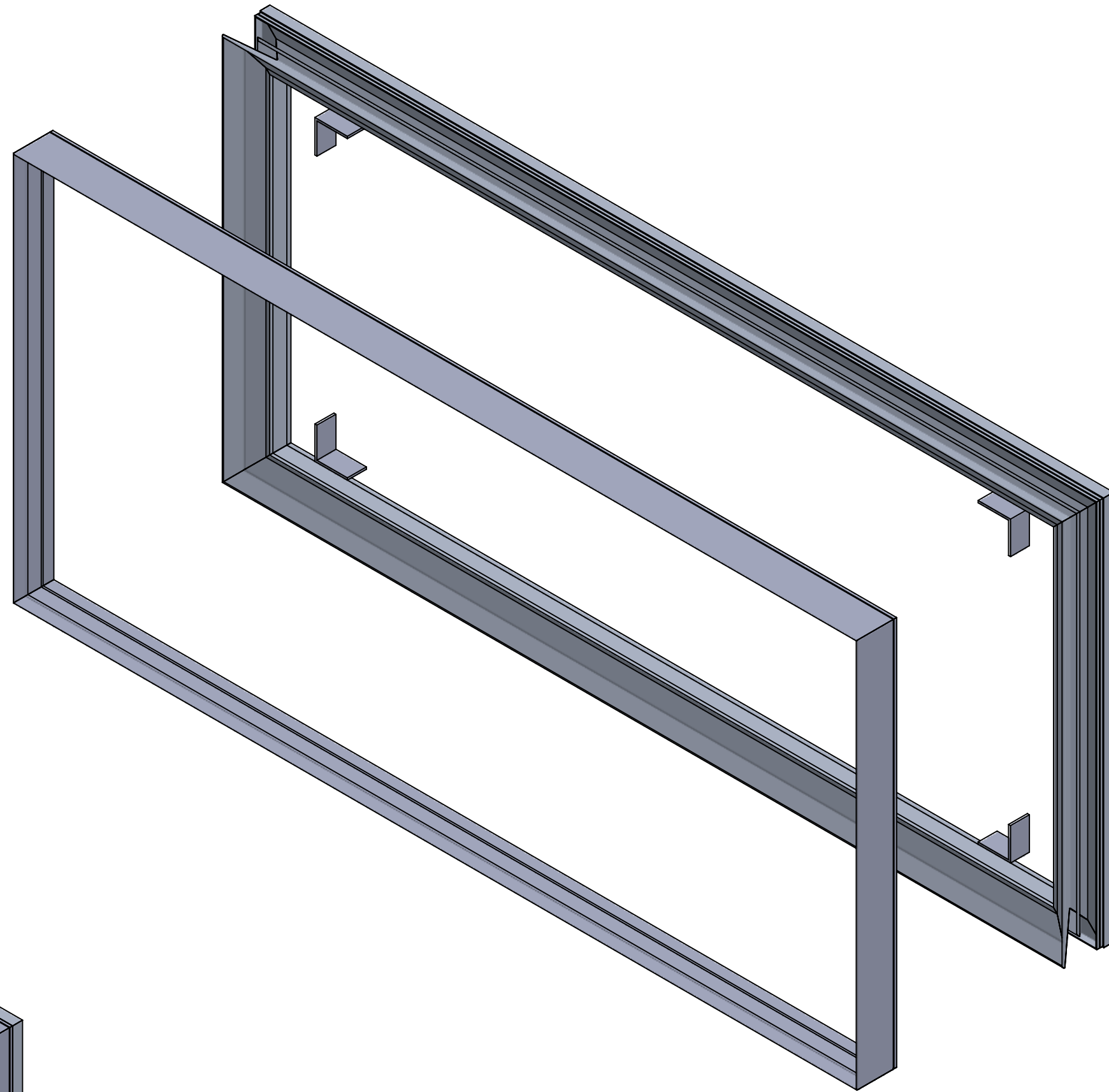
B

A


A



ISO VIEW



ISO VIEW (EXPLODED)

EXCELLART SIGN PRODUCTS, LLC. 1654 S. LONE ELM RD. OLATHE, KS 66061 (800) 627-9044 SALES@EXCELLART.COM WWW.EXCELLART.COM		UNLESS OTHERWISE SPECIFIED: DIMENSIONS ARE IN INCHES TOLERANCES: FRAC = ± 1/32" X.XX = ± 0.03 X.XXX = ± 0.010 ANGULAR: MACH ± 1° BEND ± 2°		ASSEMBLY ID: ESPS-FLEX-BTSF	
		THE INFORMATION CONTAINED IN THIS DRAWING IS THE SOLE PROPERTY OF EXCELLART SIGN PRODUCTS, LLC. ANY REPRODUCTION IN PART OR AS A WHOLE WITHOUT THE WRITTEN PERMISSION OF EXCELLART SIGN PRODUCTS, LLC IS PROHIBITED.		PROPRIETARY AND CONFIDENTIAL DRAWN BY: EXCELLART APPROVED BY:	
		SIZE: Weight: 30.66 (lbs) REV C Perimeter Length: 19 (ft) -		SCALE: 1:8 1/8/2024 SHEET 1 OF 3	
DESCRIPTION: ESP-FLEX STANDARD W. BLEED TRIM					

4

3

2

1

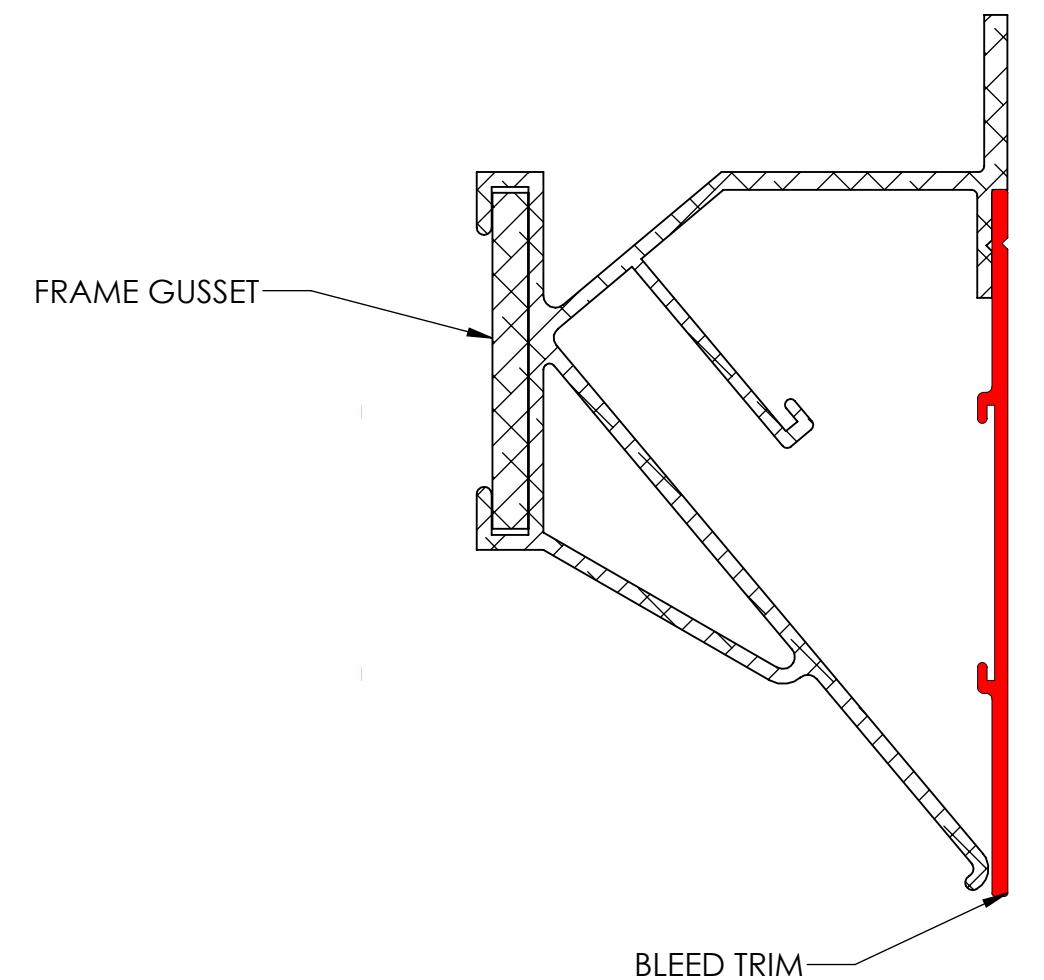
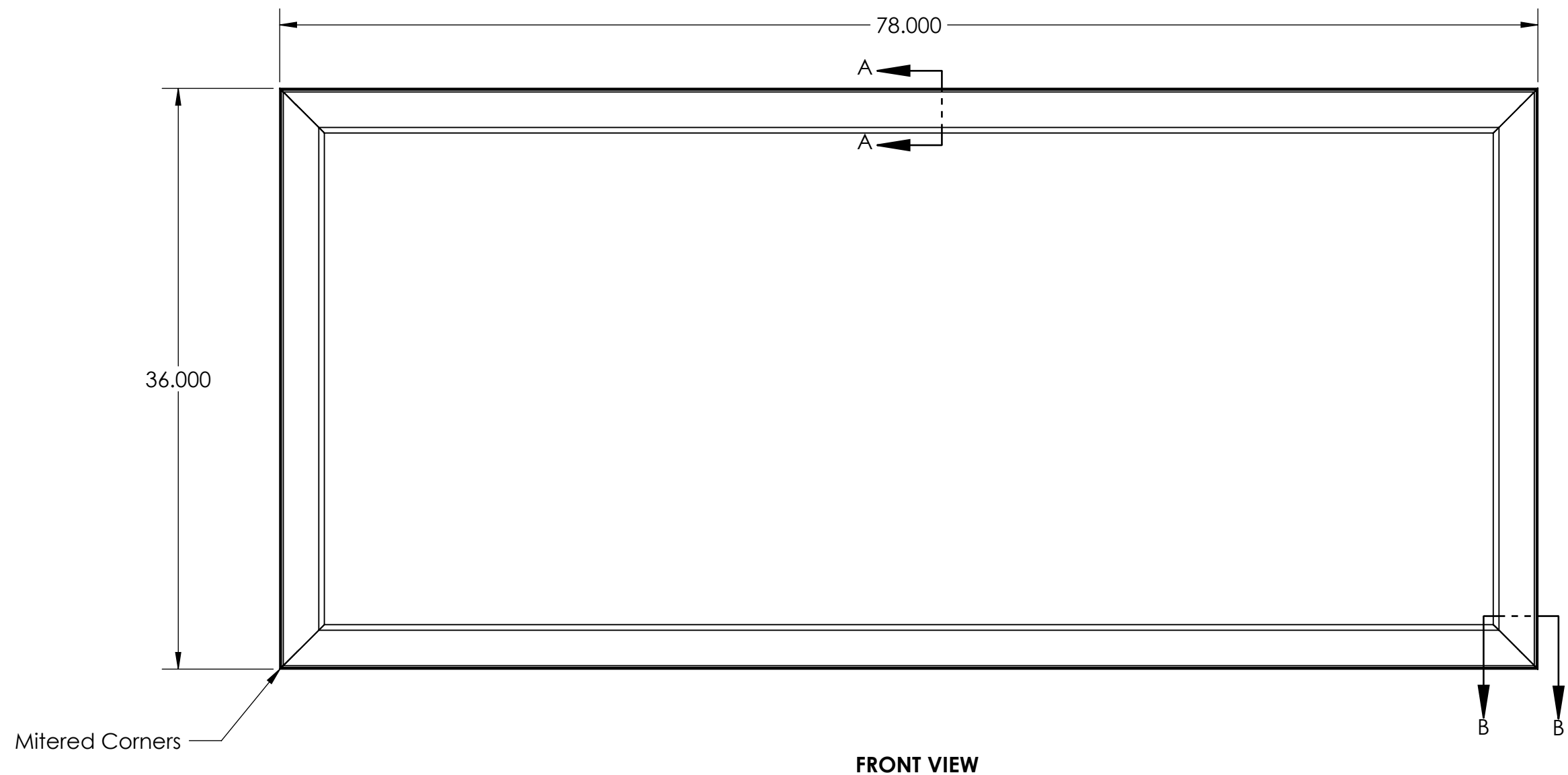
4

3

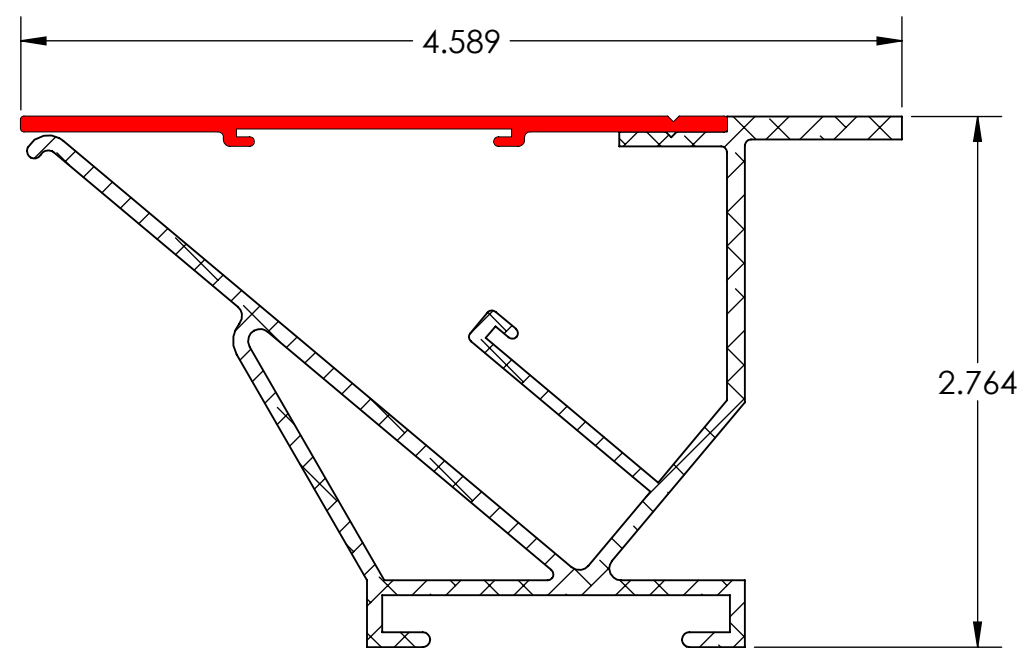
2

1


DIMS



SECTION B-B
ESP-FLEX STANDARD FRAME WITH BLEED TRIM
SCALE 1 : 1



SECTION A-A
ESP-FLEX STANDARD FRAME WITH BLEED TRIM
SCALE 1 : 1

EXCELLART SIGN PRODUCTS, LLC. 1654 S. LONE ELM RD. OLATHE, KS 66061 (800) 627-9044 SALES@EXCELLART.COM WWW.EXCELLART.COM	UNLESS OTHERWISE SPECIFIED: DIMENSIONS ARE IN INCHES TOLERANCES FRAC = ± 1/32" X.XX = ± 0.03 X.XXX = ± 0.010 ANGULAR: MACH ± 1 BEND ± 2	ASSEMBLY ID: ESPS-FLEX-BTSF		
		DESCRIPTION: ESP-FLEX STANDARD W. BLEED TRIM		
	PROPRIETARY AND CONFIDENTIAL THE INFORMATION CONTAINED IN THIS DRAWING IS THE SOLE PROPERTY OF EXCELLART SIGN PRODUCTS, LLC. ANY REPRODUCTION IN PART OR AS A WHOLE WITHOUT THE WRITTEN PERMISSION OF EXCELLART SIGN PRODUCTS, LLC IS PROHIBITED.	DRAWN BY: EXCELLART	APPROVED BY:	
		SIZE C	Weight: 30.66 (lbs) Perimeter Length: 19 (ft)	REV -
		SCALE: 1:8	1/8/2024	SHEET 2 OF 3

4

3

2

1

A

A

B

B

C

C

D

D

4

3

2

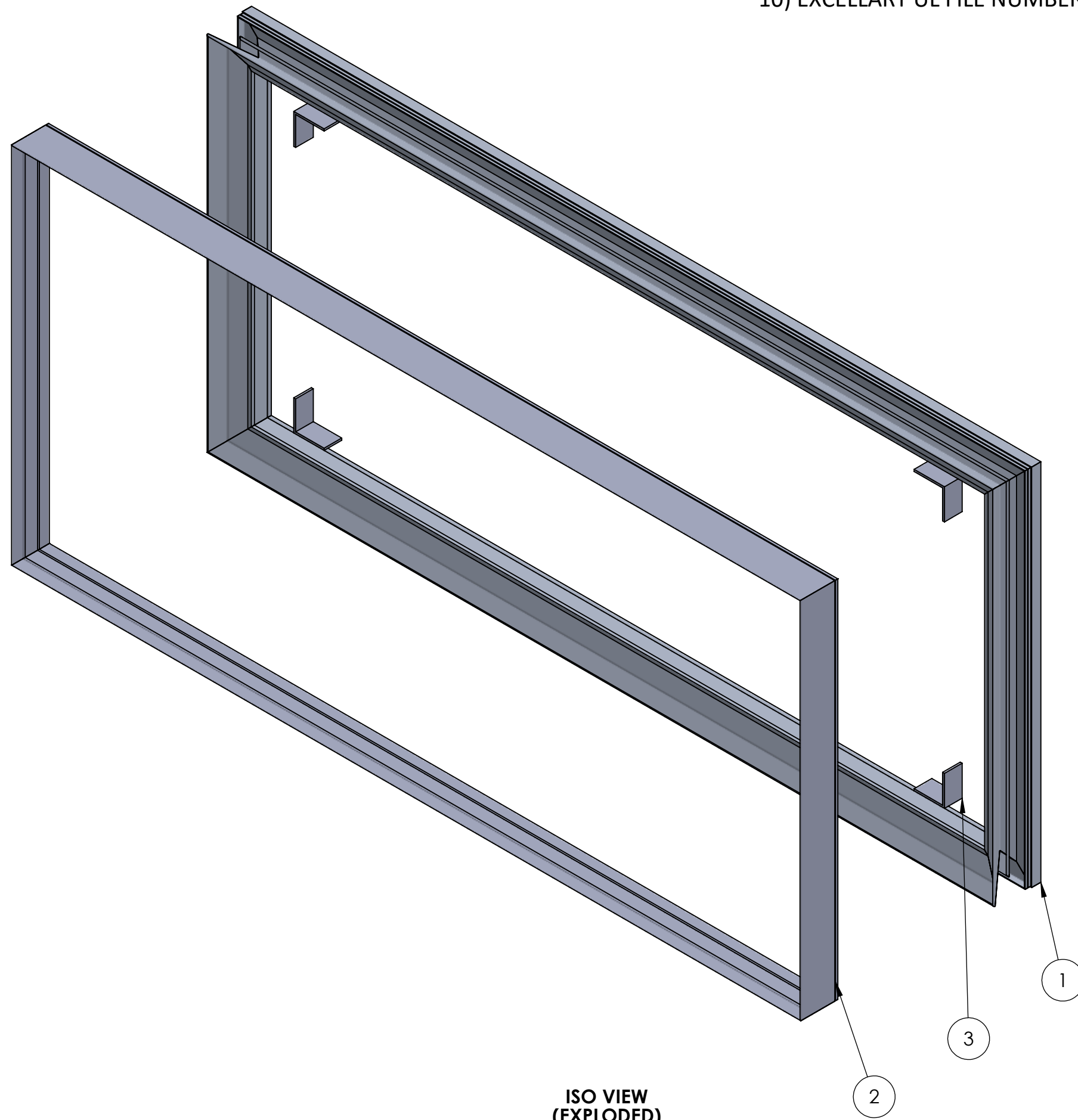
1

BOM

ITEM NO.	PART NUMBER	DESCRIPTION	MATERIAL	QTY.
1	ESP1280425	ESP-FLEX STANDARD FRAME	6063-T6	1
2	ESP1280415	ESP-BLEED TRIM	6063-T6	1
3	ESP1280307	1 3/4" X 3" X 3" X 3/16" GUSSET	6063-T6	4

NOTES:

- 1) ESP-FLEX STANDARD KIT WITH BLEED TRIM COVER CONSISTS OF QTY (4) ESP-FLEX STANDARD FRAME PIECES, (4) FRAME GUSSETS, AND QTY (4) BLEED TRIM PIECES
- 2) ANGLES ARE USED TO GUIDE FRAME PIECES INTO POSITION
- 3) GUSSETS ARE USED TO GUIDE RETAINER PIECES INTO POSITION (IF APPLICABLE)
- 4) HINGED FRAME SECTION AND HINGED RETAINERS SHOWN TO BE ON TOP OF SIGN CABINET (IF APPLICABLE)
- 5) SELF DRILLING SCREWS / RIVETS / LOCK CYLINDERS ETC (BY OTHERS) TO SECURE RETAINERS AS NEEDED
- 6) ANGLES AND GUSSETS TYPICALLY WELDED TO FRAMING (BY OTHERS)
- 7) 6" - 8" CENTER TO CENTER SPACING RECOMMENDED FOR FLEX CLIPS
- 8) PIANO HINGES USED TO ALLOW IDS RETAINERS TO HINGE OPEN (IF APPLICABLE)
- 9) H1 / H1.5 RETAINERS ALLOW SECONDARY FACE TO BE MOUNTED BEHIND PRIMARY FACE
- 10) EXCELLART UL FILE NUMBER: E152309



ISO VIEW (EXPLODED)

EXCELLART SIGN PRODUCTS, LLC. 1654 S. LONE ELM RD. OLATHE, KS 66061 (800) 627-9044 SALES@EXCELLART.COM WWW.EXCELLART.COM	UNLESS OTHERWISE SPECIFIED: DIMENSIONS ARE IN INCHES TOLERANCES: FRAC = ± 1/32" X.XX = ± 0.03 X.XXX = ± 0.010 ANGULAR: MACH ± 1 BEND ± 2	ASSEMBLY ID: ESPS-FLEX-BTSF	
		DESCRIPTION: ESP-FLEX STANDARD W. BLEED TRIM	
THE INFORMATION CONTAINED IN THIS DRAWING IS THE SOLE PROPERTY OF EXCELLART SIGN PRODUCTS, LLC. ANY REPRODUCTION IN PART OR AS A WHOLE WITHOUT THE WRITTEN PERMISSION OF EXCELLART SIGN PRODUCTS, LLC IS PROHIBITED.	DRAWN BY: EXCELLART		APPROVED BY:
	SIZE C	Weight: 30.66 (lbs) Perimeter Length: 19 (ft)	REV -
	SCALE: 1:8	1/8/2024	SHEET 3 OF 3

4

3

2

1