

4

3

2

1

COVER

D

D

C

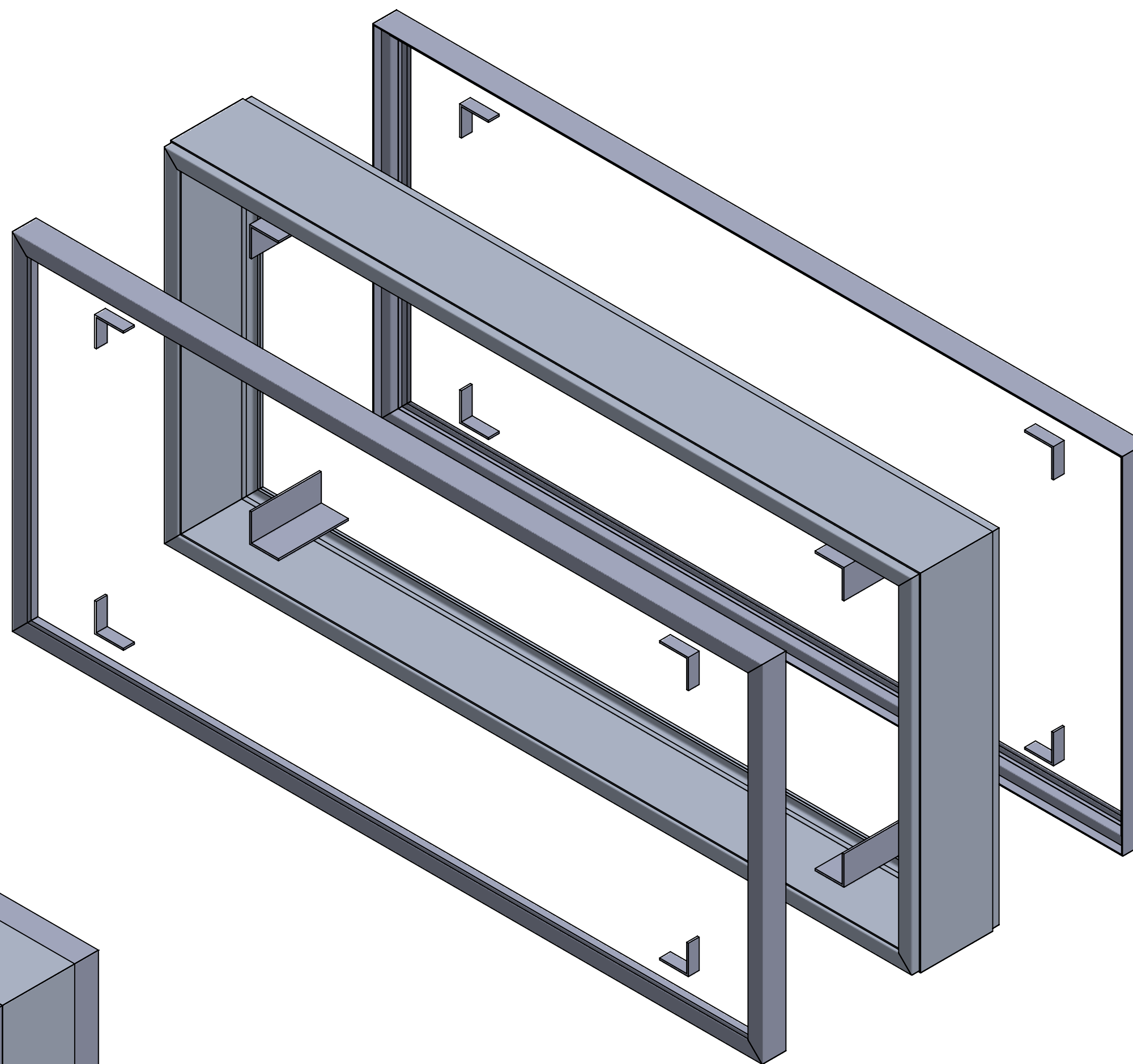
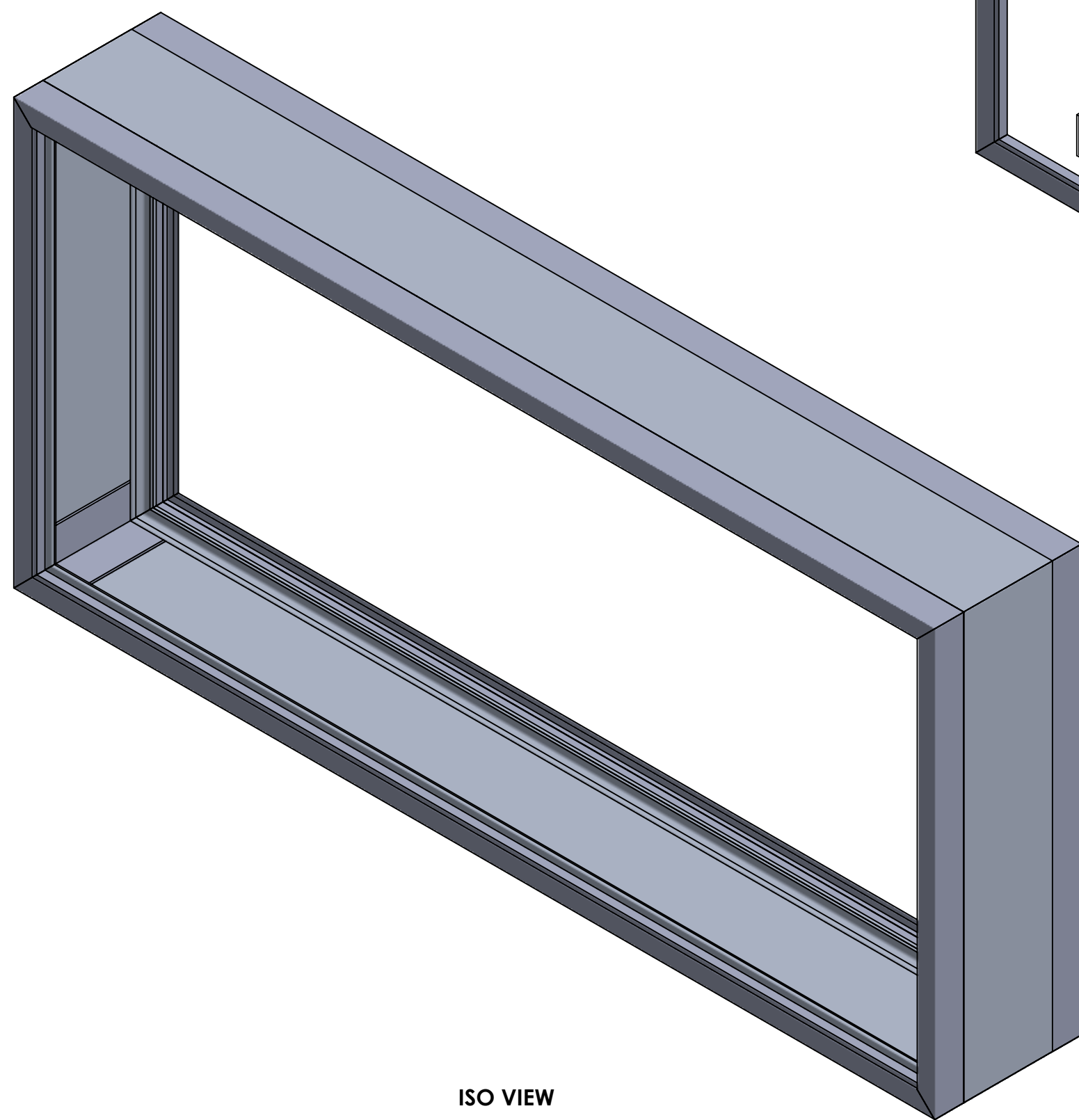
C


B

B

A

A



| | | | | | |
|--|----------------------------------|--|--|---|--|
| EXCELLART SIGN PRODUCTS, LLC. 1654 S. LONE ELM RD. OLATHE, KS 66061 (800) 627-9044 SALES@EXCELLART.COM WWW.EXCELLART.COM | | UNLESS OTHERWISE SPECIFIED: DIMENSIONS ARE IN INCHES TOLERANCES FRAC = ± 1/32" X.XX = ± 0.03 X.XXX = ± 0.010 ANGULAR: MACH ± 1° BEND ± 2° | | ASSEMBLY ID: ESPS-DF-FFDF | |
|  | | THE INFORMATION CONTAINED IN THIS DRAWING IS THE SOLE PROPERTY OF EXCELLART SIGN PRODUCTS, LLC. ANY REPRODUCTION IN PART OR AS A WHOLE WITHOUT THE WRITTEN PERMISSION OF EXCELLART SIGN PRODUCTS, LLC IS PROHIBITED. | | DESCRIPTION: ESP-DF STANDARD W. FF RETAINER | |
| | | DRAWN BY: EXCELLART | | APPROVED BY: | |
| SIZE | Weight: 60.76 (lbs) | REV | | | |
| C | Perimeter Length: 19 (ft) | - | | | |
| SCALE: 1:8 | 3/11/2024 | SHEET 1 OF 3 | | | |

4

3

2

1

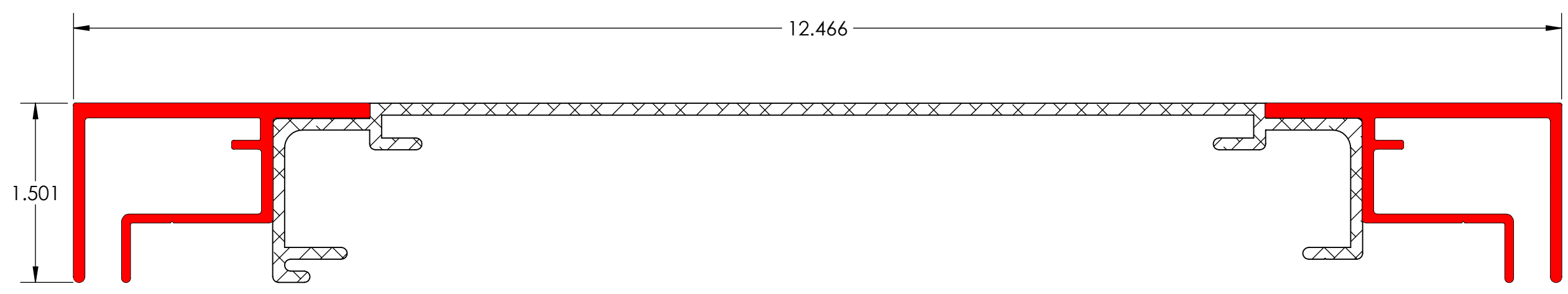
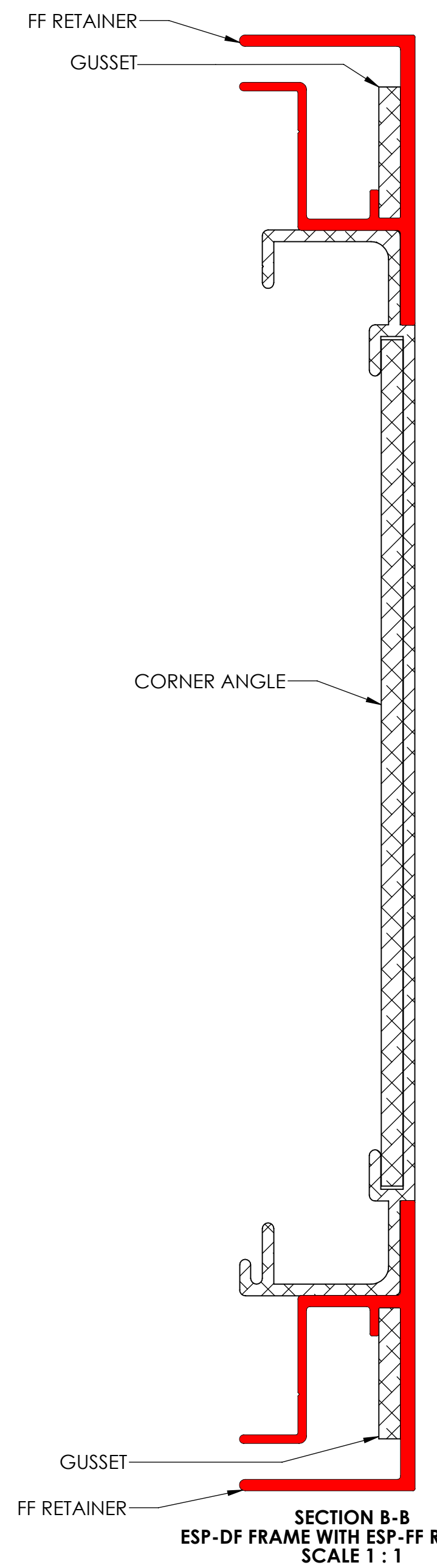
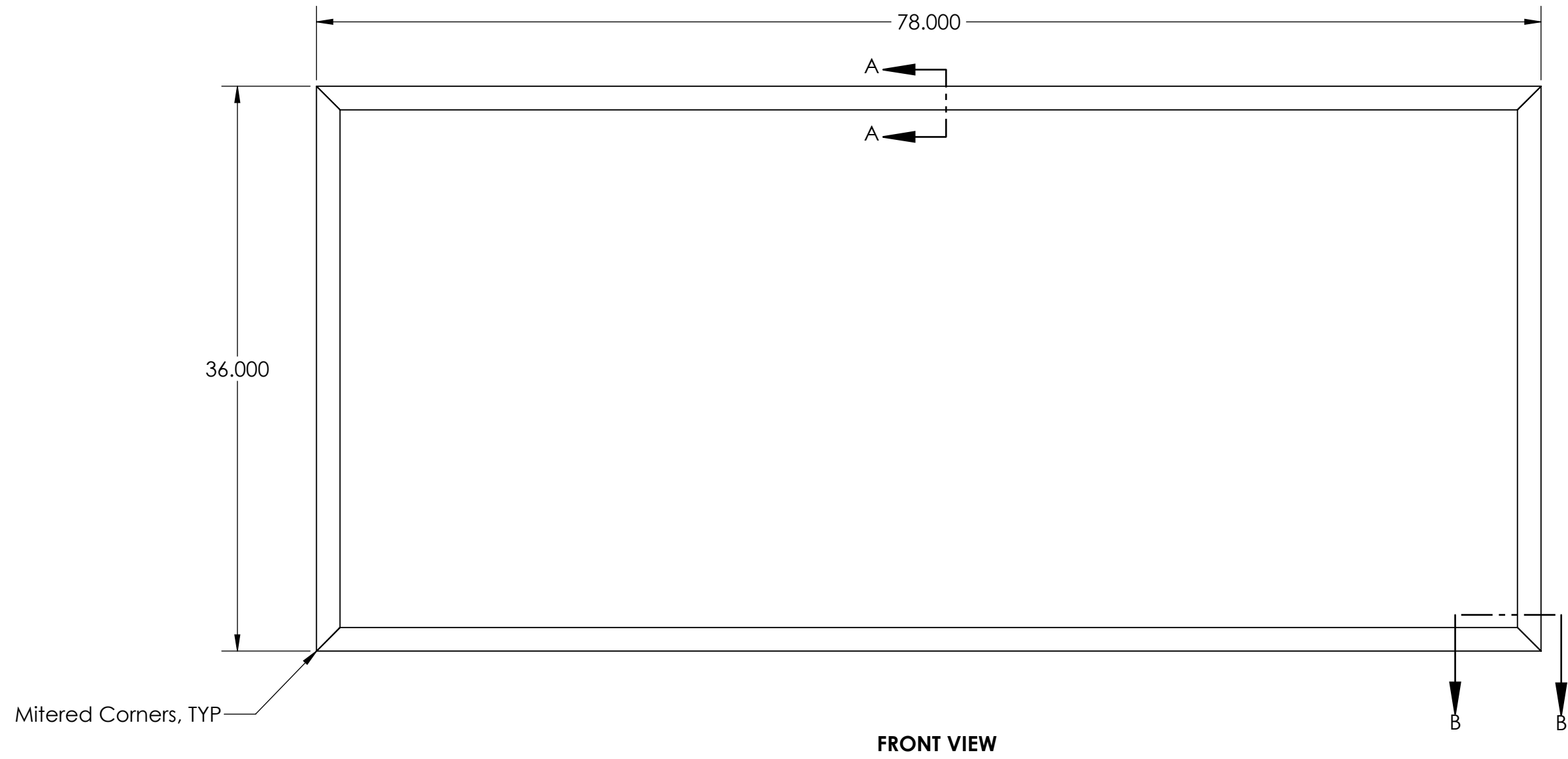
4

3

2

1

DIMS



SECTION A-A
ESP-DF FRAME WITH ESP-FF RETAINERS
SCALE 1 : 1

SECTION B-B
ESP-DF FRAME WITH ESP-FF RETAINERS
SCALE 1 : 1

| | | | |
|---|--|--|--------------|
| EXCELLART SIGN PRODUCTS, LLC. 1654 S. LONE ELM RD. OLATHE, KS 66061 (800) 627-9044 SALES@EXCELLART.COM WWW.EXCELLART.COM | UNLESS OTHERWISE SPECIFIED: DIMENSIONS ARE IN INCHES TOLERANCES FRAC = ± 1/32" X.XX = ±0.03 X.XXX = ±0.010 ANGULAR: MACH±1 BEND ±2 | ASSEMBLY ID: ESPS-DF-FFDF | |
| | | DESCRIPTION: ESP-DF STANDARD W. FF RETAINER | |
| EXCELLART <small>THE INFORMATION CONTAINED IN THIS DRAWING IS THE SOLE PROPERTY OF EXCELLART SIGN PRODUCTS, LLC. ANY REPRODUCTION IN PART OR AS A WHOLE WITHOUT THE WRITTEN PERMISSION OF EXCELLART SIGN PRODUCTS, LLC IS PROHIBITED.</small> | PROPRIETARY AND CONFIDENTIAL | DRAWN BY: EXCELLART | APPROVED BY: |
| | SIZE C | Weight: 60.76 (lbs) Perimeter Length: 19 (ft) | REV - |
| | SCALE: 1:8 | 3/11/2024 | SHEET 2 OF 3 |

4

3

2

1

D

D

C

C

B

B

A

A

4

3

2

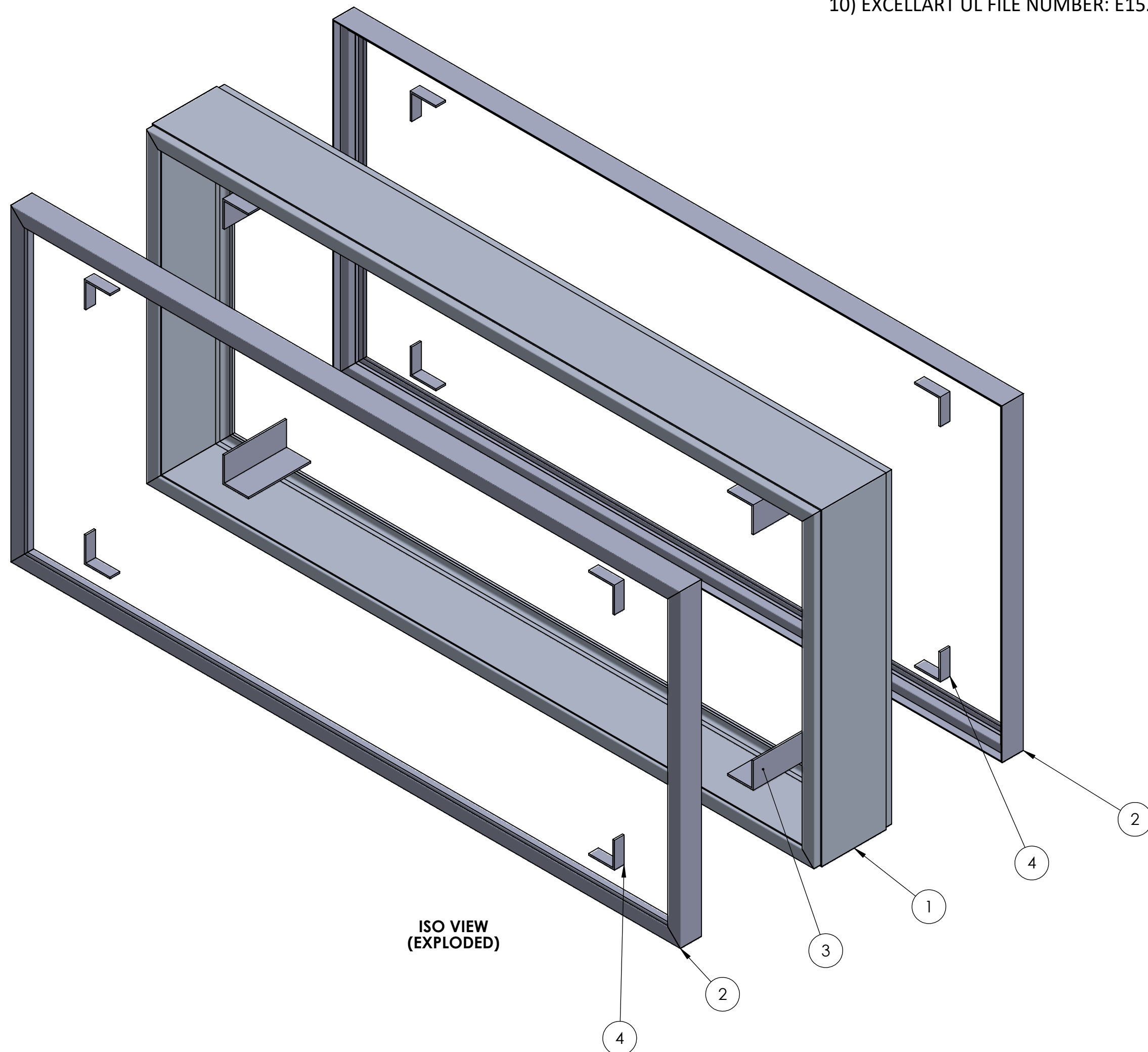
1

BOM

| ITEM NO. | PART NUMBER | DESCRIPTION | MATERIAL | QTY. |
|----------|-------------|---------------------------------|----------|------|
| 1 | ESP1281421 | ESP-DF STANDARD FRAME | 6063-T6 | 1 |
| 2 | ESP1280117 | ESP-FF RETAINER | 6063-T6 | 2 |
| 3 | ESP1280140 | 7 1/4" X 3" X 3" X 3/16" ANGLE | 6063-T6 | 4 |
| 4 | ESP1280119 | 1 1/8" X 3" X 3" X 3/16" GUSSET | 6063-T6 | 8 |

NOTES:

- 1) ESP-DF KIT CONSISTS OF QTY (4) ESP-DF FRAME PIECES, QTY (4) CORNER ANGLES, QTY (8) ESP-FF RETAINER PIECES, AND QTY (8) RETAINER GUSSETS
- 2) ANGLES ARE USED TO GUIDE FRAME PIECES INTO POSITION
- 3) GUSSETS ARE USED TO GUIDE RETAINER PIECES INTO POSITION (IF APPLICABLE)
- 4) HINGED FRAME SECTION AND HINGED RETAINERS SHOWN TO BE ON TOP OF SIGN CABINET (IF APPLICABLE)
- 5) SELF DRILLING SCREWS / RIVETS / LOCK CYLINDERS ETC (BY OTHERS) TO SECURE RETAINERS AS NEEDED
- 6) ANGLES AND GUSSETS TYPICALLY WELDED TO FRAMING (BY OTHERS)
- 7) 6" - 8" CENTER TO CENTER SPACING RECOMMENDED FOR FLEX CLIPS
- 8) PIANO HINGES USED TO ALLOW IDS RETAINERS TO HINGE OPEN (IF APPLICABLE)
- 9) H1 / H1.5 RETAINERS ALLOW SECONDARY FACE TO BE MOUNTED BEHIND PRIMARY FACE
- 10) EXCELLART UL FILE NUMBER: E152309



ISO VIEW (EXPLODED)

| | | | |
|---|--|---|--------------|
| EXCELLART SIGN PRODUCTS, LLC. 1654 S. LONE ELM RD. OLATHE, KS 66061 (800) 627-9044 SALES@EXCELLART.COM WWW.EXCELLART.COM | UNLESS OTHERWISE SPECIFIED: DIMENSIONS ARE IN INCHES TOLERANCES: FRAC = ± 1/32" X.XX = ± 0.03 X.XXX = ± 0.010 ANGULAR: MACH ± 1° BEND ± 2° | ASSEMBLY ID: ESPS-DF-FFDF | |
| | | DESCRIPTION: ESP-DF STANDARD W. FF RETAINER | |
| EXCELLART <small>THE INFORMATION CONTAINED IN THIS DRAWING IS THE SOLE PROPERTY OF EXCELLART SIGN PRODUCTS, LLC. ANY REPRODUCTION IN PART OR AS A WHOLE WITHOUT THE WRITTEN PERMISSION OF EXCELLART SIGN PRODUCTS, LLC IS PROHIBITED.</small> | PROPRIETARY AND CONFIDENTIAL | DRAWN BY: EXCELLART | APPROVED BY: |
| | SIZE: C | Weight: 60.76 (lbs) | REV: - |
| | SCALE: 1:8 | 3/11/2024 | SHEET 3 OF 3 |

4

3

2

1