

4

3

2

1

COVER

D

D

C

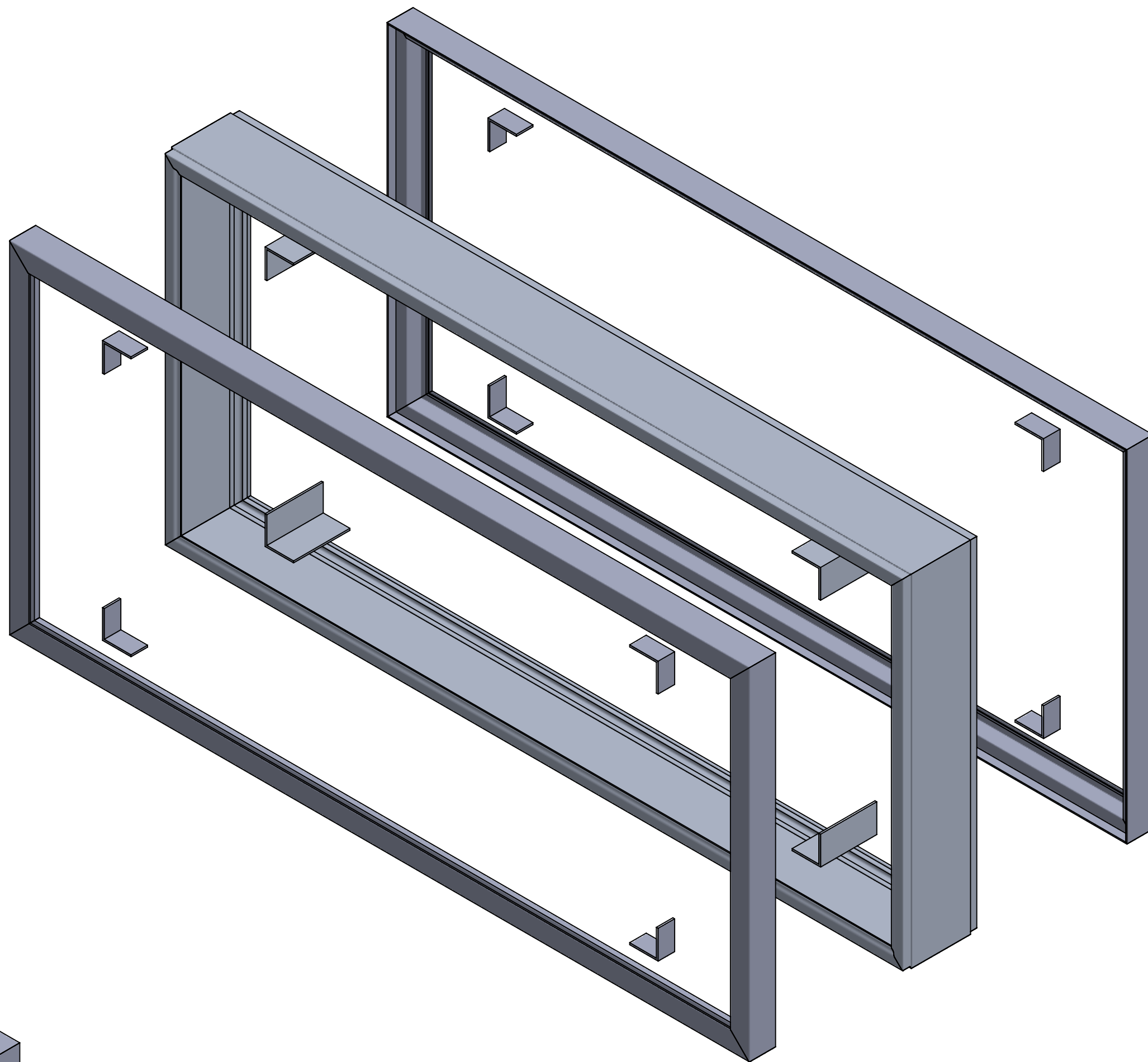
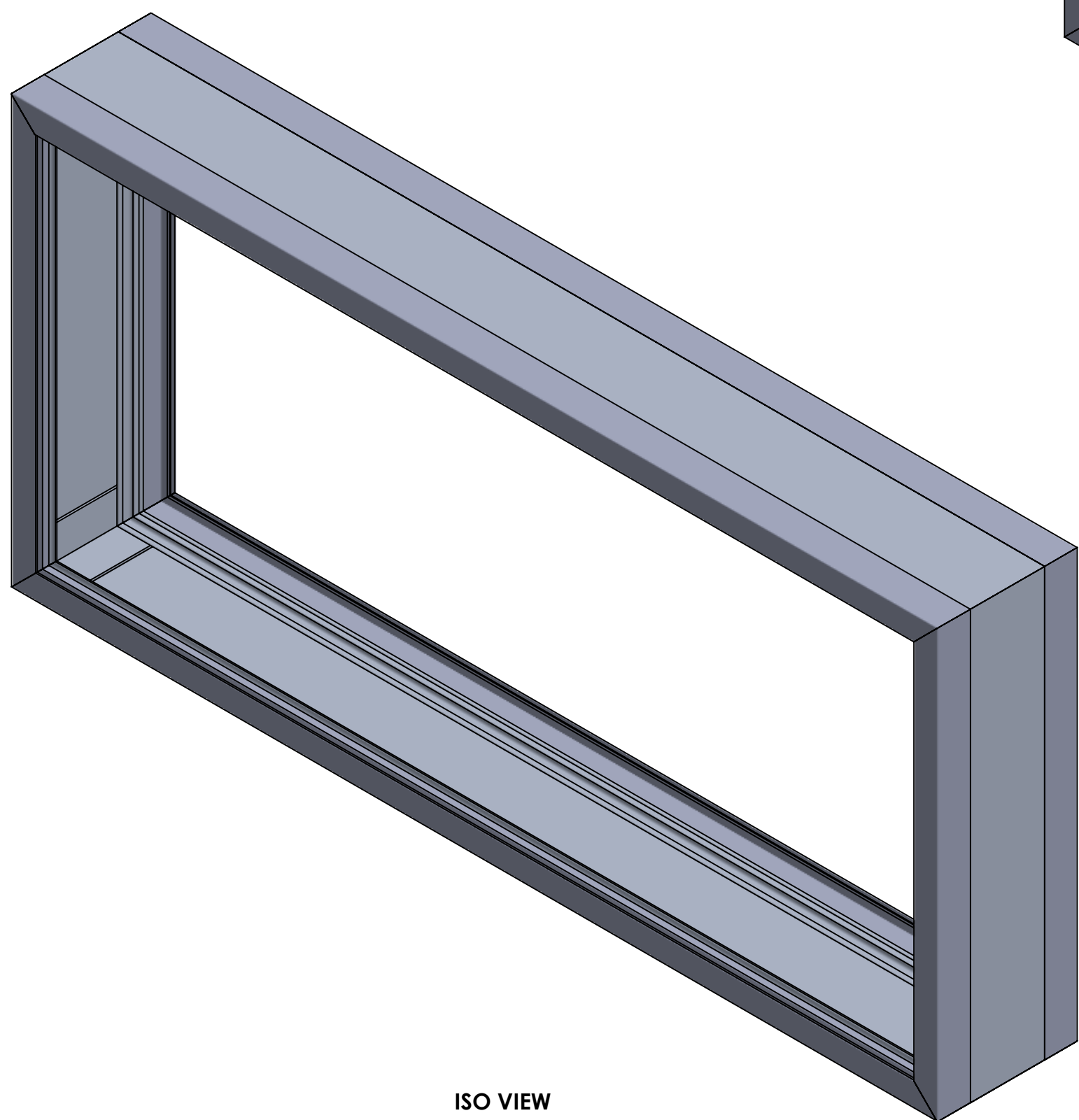
C

B

B

A

A



**EXCELLART SIGN PRODUCTS, LLC.**  
 1654 S. LONE ELM RD.  
 OLATHE, KS 66061  
 (800) 627-9044  
 SALES@EXCELLART.COM  
 WWW.EXCELLART.COM



UNLESS OTHERWISE SPECIFIED:  
 DIMENSIONS ARE IN INCHES  
 TOLERANCES  
 FRAC = ± 1/32"  
 X.XX = ± 0.03  
 X.XXX = ± 0.010  
 ANGULAR: MACH ± 1 BEND ± 2

**PROPRIETARY AND CONFIDENTIAL**  
 THE INFORMATION CONTAINED IN  
 THIS DRAWING IS THE SOLE  
 PROPERTY OF EXCELLART SIGN  
 PRODUCTS, LLC. ANY  
 REPRODUCTION IN PART OR AS A  
 WHOLE WITHOUT THE WRITTEN  
 PERMISSION OF EXCELLART SIGN  
 PRODUCTS, LLC IS PROHIBITED.

ASSEMBLY ID: <b>ESPS-9-FF2DF</b>		APPROVED BY:	
DESCRIPTION: <b>ESP-9 W. FF2 RETAINER</b>			
DRAWN BY: <b>EXCELLART</b>		REV	
SIZE	Weight: <b>44.19</b> (lbs)	-	
<b>C</b>	Perimeter Length: <b>19</b> (ft)	-	
SCALE: 1:8	1/8/2024	SHEET 1 OF 3	

4

3

2

1

4

3

2

1

DIMS

D

D

C

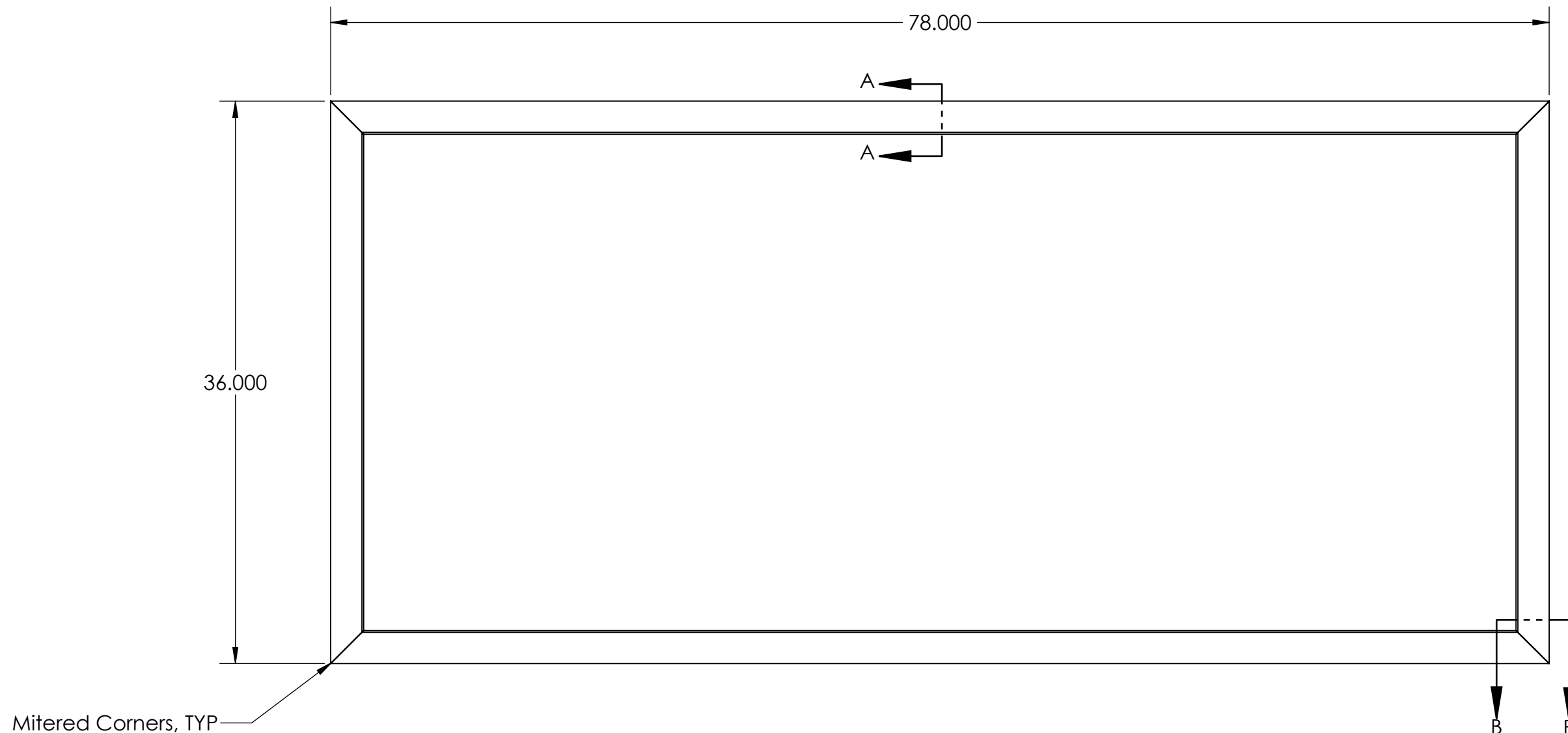
C

B

B

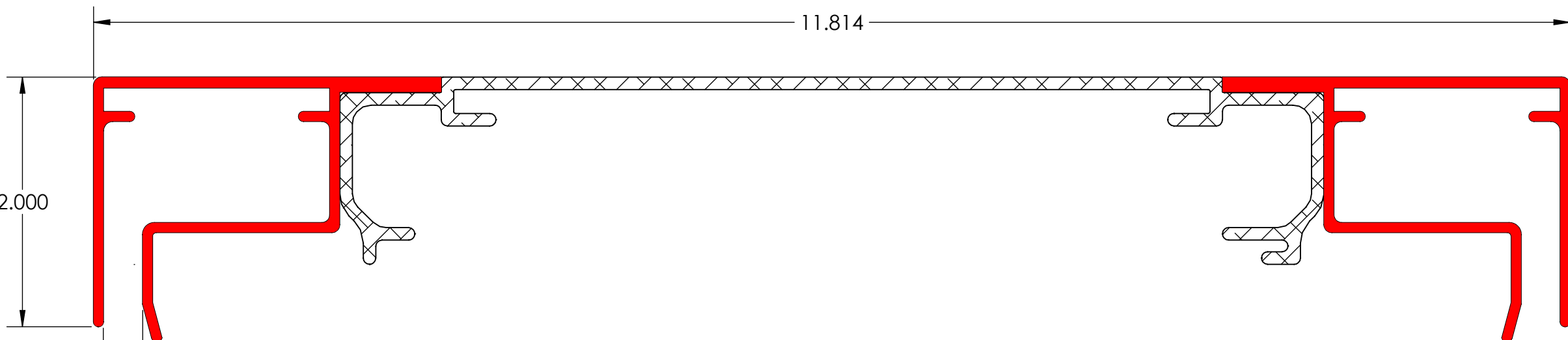
A

A



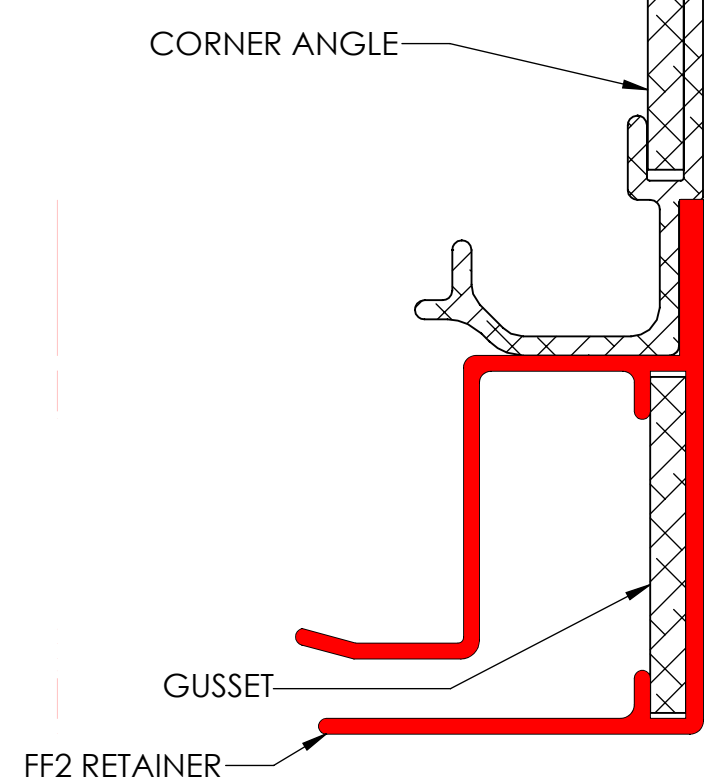
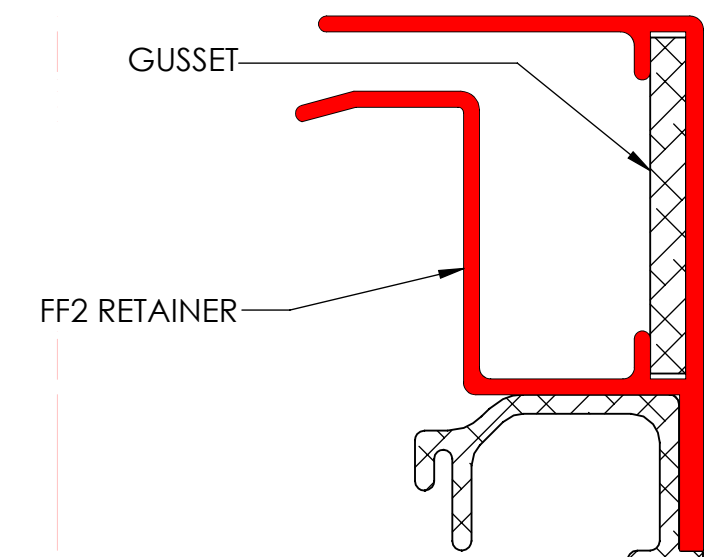
Mitered Corners, TYP

FRONT VIEW



.314 FACE CHANNEL

SECTION A-A  
ESP-9 FRAME WITH ESP-FF2 RETAINERS  
SCALE 1 : 1



SECTION B-B  
ESP-9 FRAME WITH ESP-FF2 RETAINERS  
SCALE 1 : 1

<b>EXCELLART SIGN PRODUCTS, LLC.</b> 1654 S. LONE ELM RD. OLATHE, KS 66061 (800) 627-9044 SALES@EXCELLART.COM WWW.EXCELLART.COM	UNLESS OTHERWISE SPECIFIED: DIMENSIONS ARE IN INCHES TOLERANCES FRAC = ± 1/32" X.XX = ± 0.03 X.XXX = ± 0.010 ANGULAR: MACH ± 1° BEND ± 2°	ASSEMBLY ID: <b>ESPS-9-FF2DF</b>	
		DESCRIPTION: <b>ESP-9 W. FF2 RETAINER</b>	
<b>EXCELLART</b> <small>THE INFORMATION CONTAINED IN THIS DRAWING IS THE SOLE PROPERTY OF EXCELLART SIGN PRODUCTS, LLC. ANY REPRODUCTION IN PART OR AS A WHOLE WITHOUT THE WRITTEN PERMISSION OF EXCELLART SIGN PRODUCTS, LLC IS PROHIBITED.</small>	DRAWN BY: <b>EXCELLART</b>	APPROVED BY:	
	SIZE <b>C</b>	Weight: <b>44.19</b> (lbs)	REV
	Perimeter Length: <b>19</b> (ft)		-
SCALE: 1:8		1/8/2024	SHEET 2 OF 3

4

3

2

1

4

3

2

1

BOM

ITEM NO.	PART NUMBER	DESCRIPTION	MATERIAL	QTY.
1	ESP1280114	ESP-9 FRAME	6063-T6	1
2	ESP1280295	ESP-FF2 RETAINER	6063-T6	2
3	ESP1280139	5 15/16" X 3" X 3" X 3/16" ANGLE	6063-T6	4
4	ESP1280307	1 3/4" X 3" X 3" X 3/16" GUSSET	6063-T6	8

NOTES:

- 1) ESP-9 KIT CONSISTS OF QTY (4) ESP-9 FRAME PIECES, QTY (4) CORNER ANGLES, QTY (8) ESP-FF2 RETAINER PIECES, AND QTY (8) RETAINER GUSSETS
- 2) ANGLES ARE USED TO GUIDE FRAME PIECES INTO POSITION
- 3) GUSSETS ARE USED TO GUIDE RETAINER PIECES INTO POSITION (IF APPLICABLE)
- 4) HINGED FRAME SECTION AND HINGED RETAINERS SHOWN TO BE ON TOP OF SIGN CABINET (IF APPLICABLE)
- 5) SELF DRILLING SCREWS / RIVETS / LOCK CYLINDERS ETC (BY OTHERS) TO SECURE RETAINERS AS NEEDED
- 6) ANGLES AND GUSSETS TYPICALLY WELDED TO FRAMING (BY OTHERS)
- 7) 6" - 8" CENTER TO CENTER SPACING RECOMMENDED FOR FLEX CLIPS
- 8) PIANO HINGES USED TO ALLOW IDS RETAINERS TO HINGE OPEN (IF APPLICABLE)
- 9) H1 / H1.5 RETAINERS ALLOW SECONDARY FACE TO BE MOUNTED BEHIND PRIMARY FACE
- 10) EXCELLART UL FILE NUMBER: E152309

ISO VIEW  
(EXPLODED)

<b>EXCELLART SIGN PRODUCTS, LLC.</b> 1654 S. LONE ELM RD. OLATHE, KS 66061 (800) 627-9044 SALES@EXCELLART.COM WWW.EXCELLART.COM		UNLESS OTHERWISE SPECIFIED: DIMENSIONS ARE IN INCHES TOLERANCES FRAC = ± 1/32" X.XX = ± 0.03 X.XXX = ± 0.010 ANGULAR: MACH ± 1° BEND ± 2°		ASSEMBLY ID: <b>ESPS-9-FF2DF</b>	
<small>THE INFORMATION CONTAINED IN THIS DRAWING IS THE SOLE PROPERTY OF EXCELLART SIGN PRODUCTS, LLC. ANY REPRODUCTION IN PART OR AS A WHOLE WITHOUT THE WRITTEN PERMISSION OF EXCELLART SIGN PRODUCTS, LLC IS PROHIBITED.</small>		<small>PROPRIETARY AND CONFIDENTIAL</small>		<small>DESCRIPTION:</small> <b>ESP-9 W. FF2 RETAINER</b>	
		<small>SCALE: 1:8</small>		<small>DATE: 1/8/2024</small>	
<small>PERIMETER LENGTH: 19 (ft)</small>		<small>WEIGHT: 44.19 (lbs)</small>		<small>REV: -</small>	
<small>SCALE: 1:8</small>		<small>DATE: 1/8/2024</small>		<small>SHEET 3 OF 3</small>	

4

3

2

1