

4

3

2

1

COVER

D

D

C

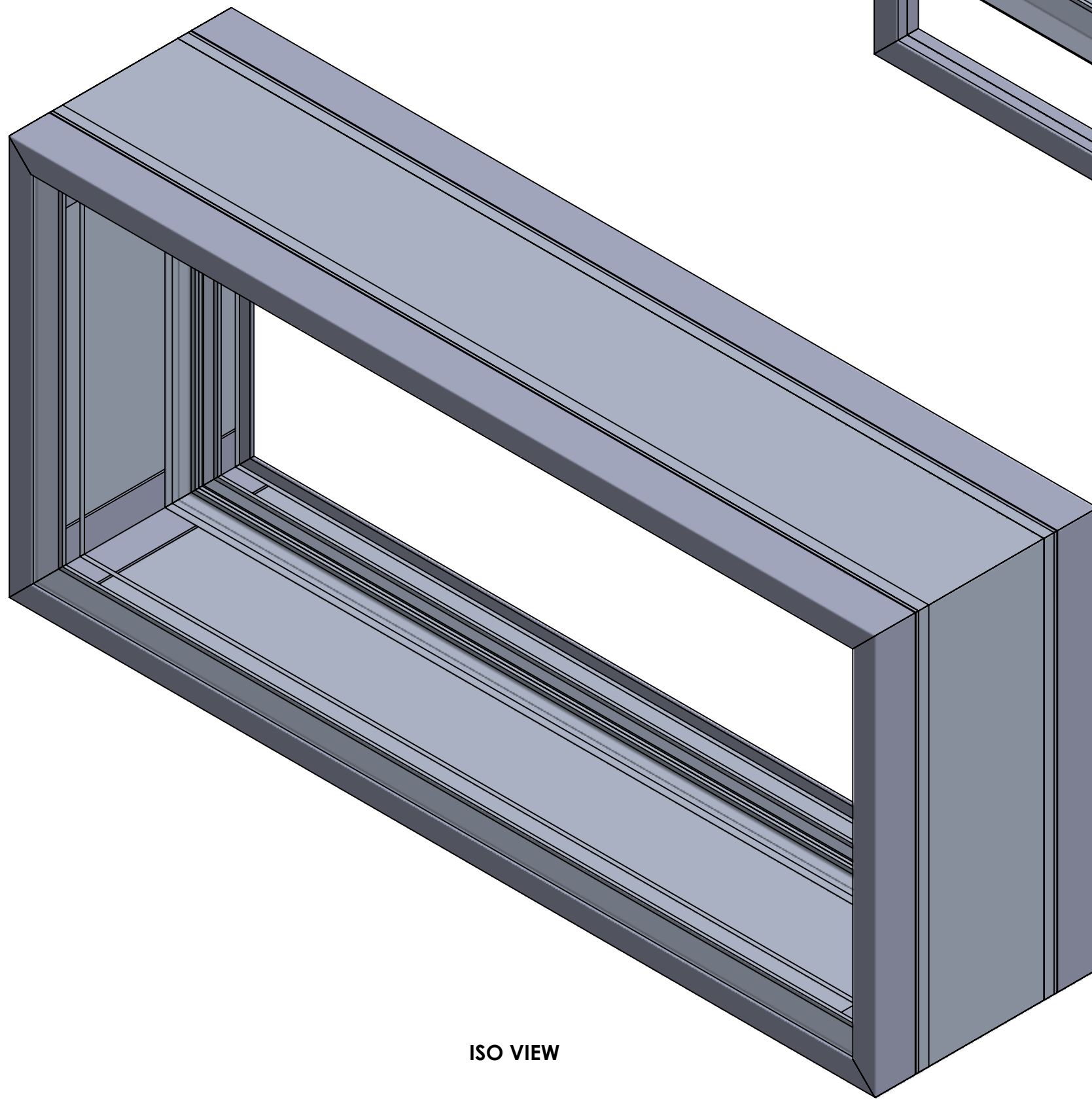
C

B

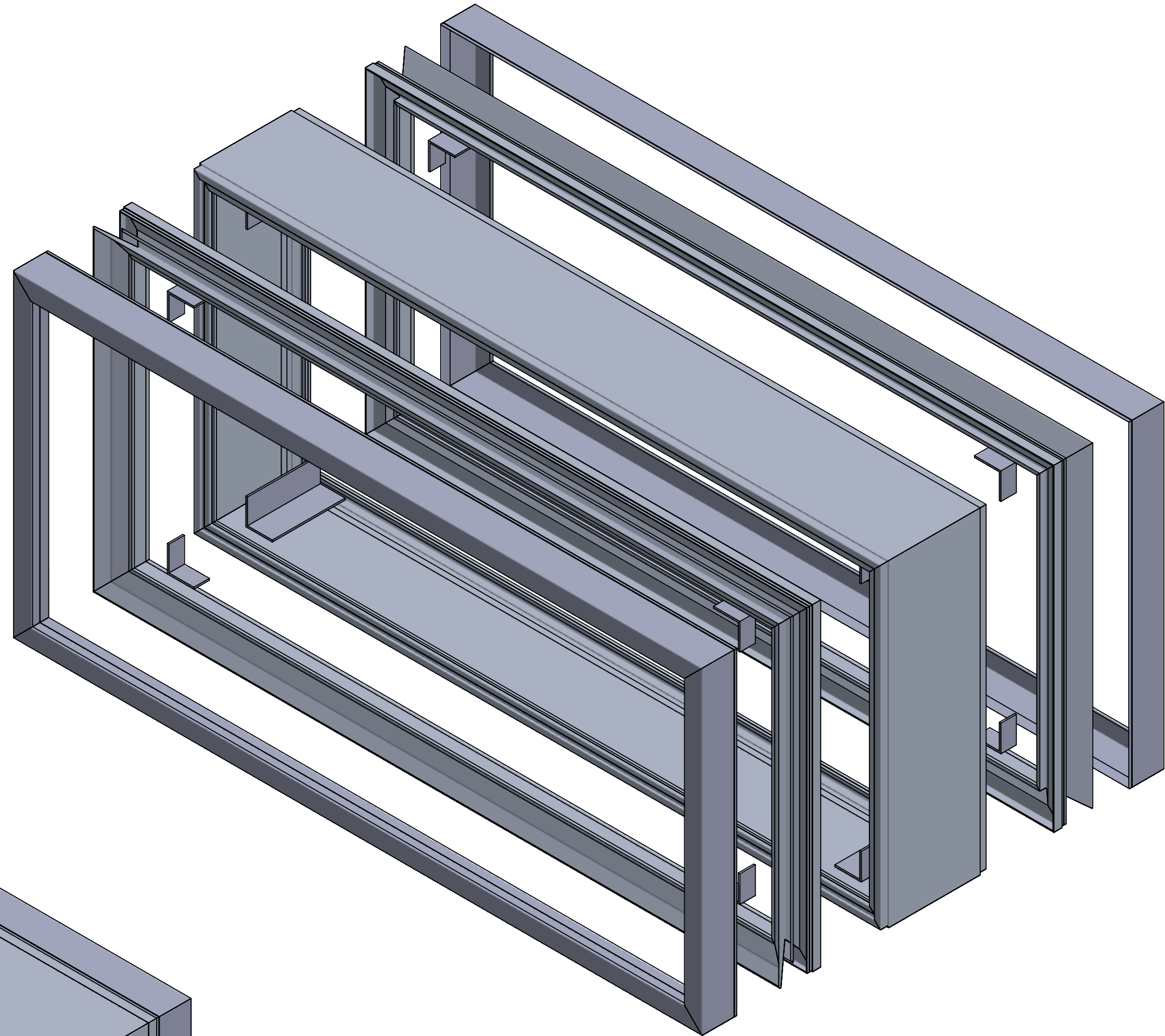
B

A


A



ISO VIEW



ISO VIEW (EXPLODED)

EXCELLART SIGN PRODUCTS, LLC. 1654 S. LONE ELM RD. OLATHE, KS 66061 (800) 627-9044 SALES@EXCELLART.COM WWW.EXCELLART.COM		UNLESS OTHERWISE SPECIFIED: DIMENSIONS ARE IN INCHES TOLERANCES: FRAC = ± 1/32" X.XX = ± 0.03 X.XXX = ± 0.010 ANGULAR: MACH ± 1° BEND ± 2°		ASSEMBLY ID: ESPS-12-FLEXSTDF	
PROPRIETARY AND CONFIDENTIAL THE INFORMATION CONTAINED IN THIS DRAWING IS THE SOLE PROPERTY OF EXCELLART SIGN PRODUCTS, LLC. ANY REPRODUCTION IN PART OR AS A WHOLE WITHOUT THE WRITTEN PERMISSION OF EXCELLART SIGN PRODUCTS, LLC IS PROHIBITED.		THE INFORMATION CONTAINED IN THIS DRAWING IS THE SOLE PROPERTY OF EXCELLART SIGN PRODUCTS, LLC. ANY REPRODUCTION IN PART OR AS A WHOLE WITHOUT THE WRITTEN PERMISSION OF EXCELLART SIGN PRODUCTS, LLC IS PROHIBITED.		DESCRIPTION: ESP-12 STANDARD W. FLEX AND STANDARD TRIM	
		DRAWN BY: EXCELLART		APPROVED BY:	
SIZE C		Weight: 111.99 (lbs)		REV -	
SCALE: 1:8		1/8/2024		SHEET 1 OF 3	

4

3

2

1

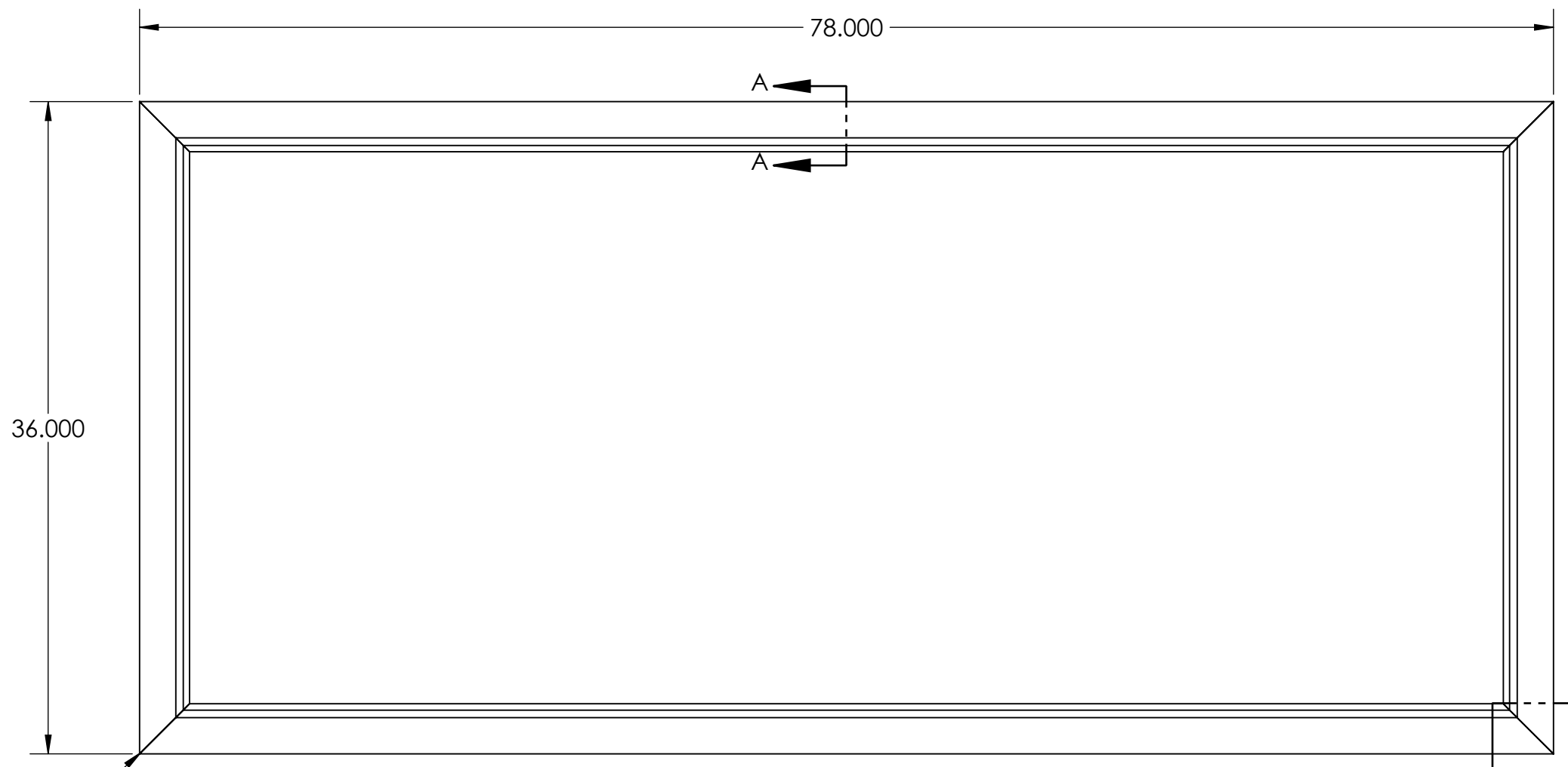
4

3

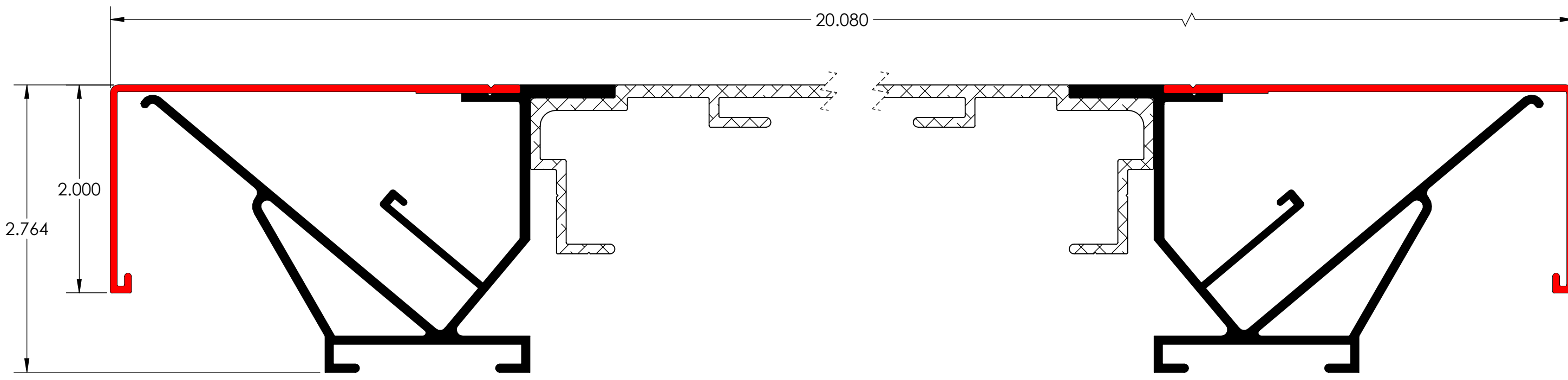
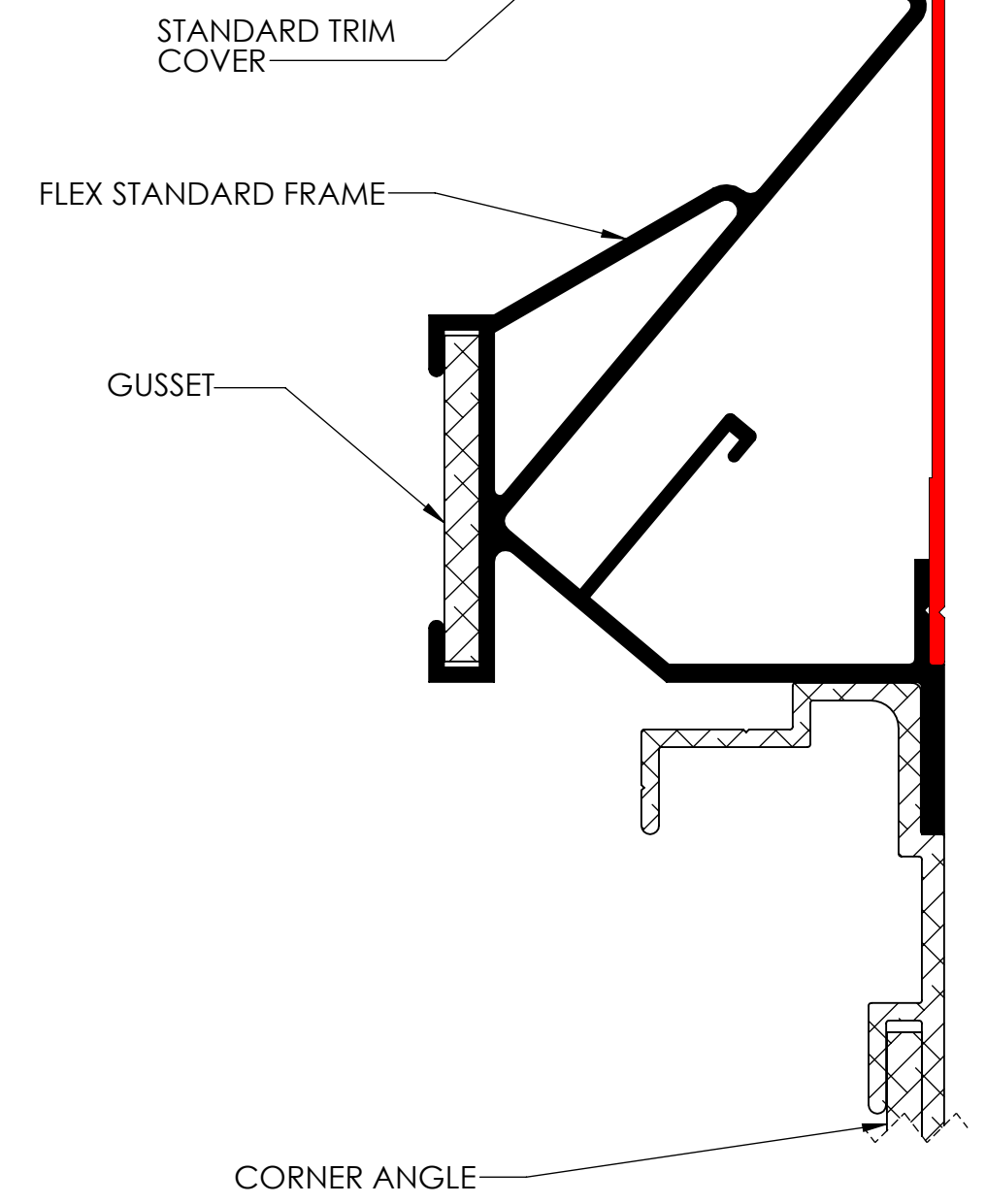
2

1

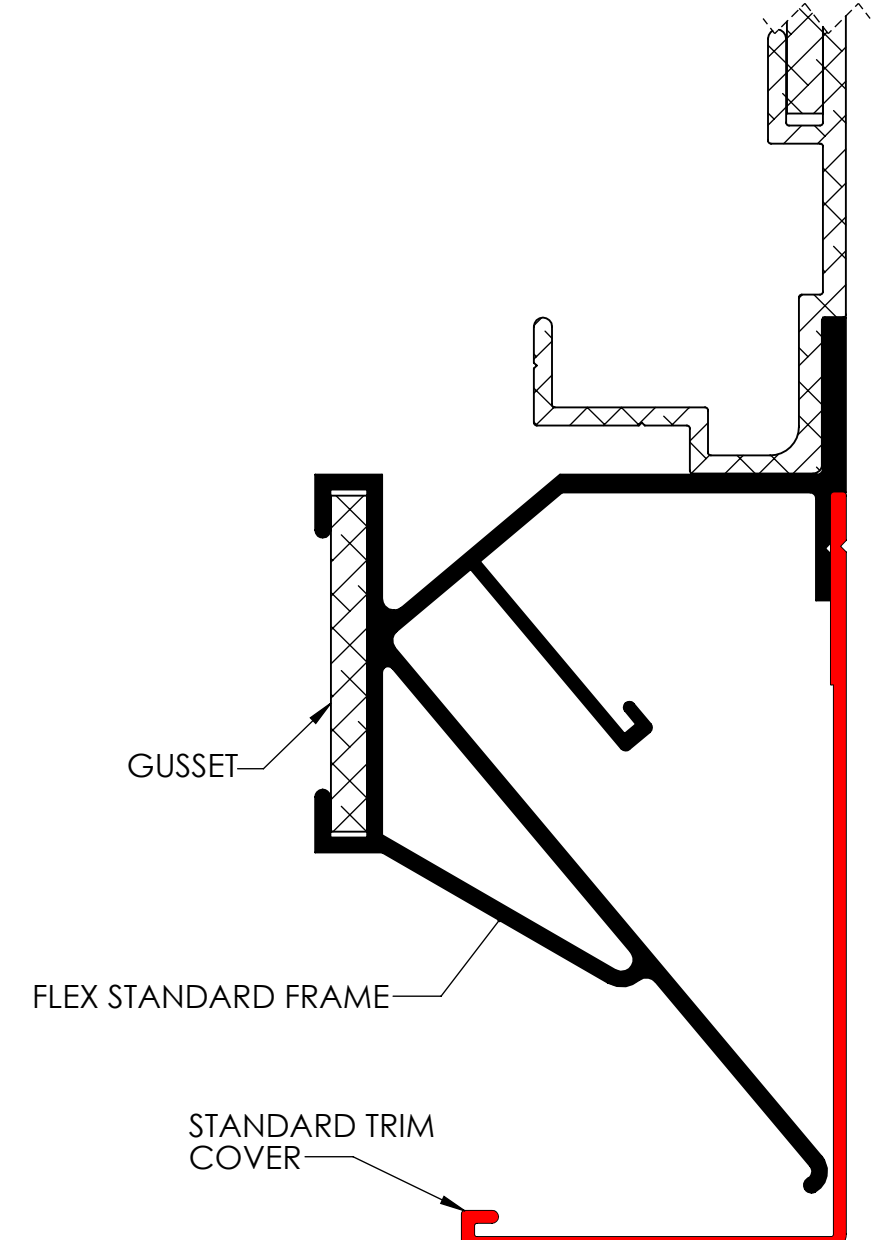
DIMS




FRONT VIEW



SECTION A-A
EC-12 FRAME WITH FLEX STANDARD AND STANDARD TRIM COVERS
SCALE 1 : 1



SECTION B-B
EC-12 FRAME WITH FLEX STANDARD AND STANDARD TRIM COVERS
SCALE 1 : 1

<p>EXCELLART SIGN PRODUCTS, LLC. 1654 S. LONE ELM RD. OLATHE, KS 66061 (800) 627-9044 SALES@EXCELLART.COM WWW.EXCELLART.COM</p> 	<p>UNLESS OTHERWISE SPECIFIED: DIMENSIONS ARE IN INCHES TOLERANCES FRAC = ± 1/32" X.XX = ± 0.03 X.XXX = ± 0.010 ANGULAR: MACH ± 1 BEND ± 2</p>	<p>ASSEMBLY ID: ESPS-12-FLEXSTDF</p>		
		<p>DESCRIPTION: ESP-12 STANDARD W. FLEX AND STANDARD TRIM</p>		
		<p>DRAWN BY: EXCELLART</p>	<p>APPROVED BY:</p>	
		<p>THE INFORMATION CONTAINED IN THIS DRAWING IS THE SOLE PROPERTY OF EXCELLART SIGN PRODUCTS, LLC. ANY REPRODUCTION IN PART OR AS A WHOLE WITHOUT THE WRITTEN PERMISSION OF EXCELLART SIGN PRODUCTS, LLC IS PROHIBITED.</p>	<p>SIZE C</p>	<p>Weight: 111.99 (lbs) Perimeter Length: 19 (ft)</p>
<p>SCALE: 1:8</p>		<p>1/8/2024</p>	<p>SHEET 2 OF 3</p>	

4

3

2

1

D

D

C

C

B

B

A

A

4

3

2

1

BOM

ITEM NO.	PART NUMBER	DESCRIPTION	MATERIAL	QTY.
1	ESP1280296	ESP-12 FRAME	6063-T6	1
2	ESP1280425	ESP-FLEX STANDARD FRAME	6063-T6	2
3	ESP1280430	ESP-STANDARD TRIM	6063-T6	2
4	ESP1280136	8 1/4" X 3" X 3" X 3/16" ANGLE	6063-T6	4
5	ESP1280307	1 3/4" X 3" X 3" X 3/16" GUSSET	6063-T6	8

NOTES:

- 1) ESP-12 STANDARD WITH ESP-FLEX STANDARD FRAME AND STANDARD TRIM KIT CONSISTS OF QTY (4) ESP-12 FRAME PIECES, QTY (4) CORNER ANGLES, QTY (8) ESP-FLEX STANDARD FRAME PIECES, QTY (8) STANDARD TRIM PIECES, AND QTY (8) GUSSETS
- 2) ANGLES ARE USED TO GUIDE FRAME PIECES INTO POSITION
- 3) GUSSETS ARE USED TO GUIDE RETAINER PIECES INTO POSITION (IF APPLICABLE)
- 4) HINGED FRAME SECTION AND HINGED RETAINERS SHOWN TO BE ON TOP OF SIGN CABINET (IF APPLICABLE)
- 5) SELF DRILLING SCREWS / RIVETS / LOCK CYLINDERS ETC (BY OTHERS) TO SECURE RETAINERS AS NEEDED
- 6) ANGLES AND GUSSETS TYPICALLY WELDED TO FRAMING (BY OTHERS)
- 7) 6" - 8" CENTER TO CENTER SPACING RECOMMENDED FOR FLEX CLIPS
- 8) PIANO HINGES USED TO ALLOW IDS RETAINERS TO HINGE OPEN (IF APPLICABLE)
- 9) H1 / H1.5 RETAINERS ALLOW SECONDARY FACE TO BE MOUNTED BEHIND PRIMARY FACE
- 10) EXCELLART UL FILE NUMBER: E152309

ISO VIEW
(EXPLODED)

EXCELLART SIGN PRODUCTS, LLC. 1654 S. LONE ELM RD. OLATHE, KS 66061 (800) 627-9044 SALES@EXCELLART.COM WWW.EXCELLART.COM		UNLESS OTHERWISE SPECIFIED: DIMENSIONS ARE IN INCHES TOLERANCES FRAC = ± 1/32" XXX = ± 0.03 X.XXX = ± 0.010 ANGULAR: MACH±1 BEND ±2		ASSEMBLY ID: ESPS-12-FLEXSTDF	
PROPRIETARY AND CONFIDENTIAL THE INFORMATION CONTAINED IN THIS DRAWING IS THE SOLE PROPERTY OF EXCELLART SIGN PRODUCTS, LLC. ANY REPRODUCTION IN PART OR AS A WHOLE WITHOUT THE WRITTEN PERMISSION OF EXCELLART SIGN PRODUCTS, LLC IS PROHIBITED.		DRAWN BY: EXCELLART		APPROVED BY:	
		SIZE C	Weight: 111.99 (lbs) Perimeter Length: 19 (ft)	REV -	SCALE: 1:8 1/8/2024 SHEET 3 OF 3

4

3

2

1