

4

3

2

1

COVER

D

D

C

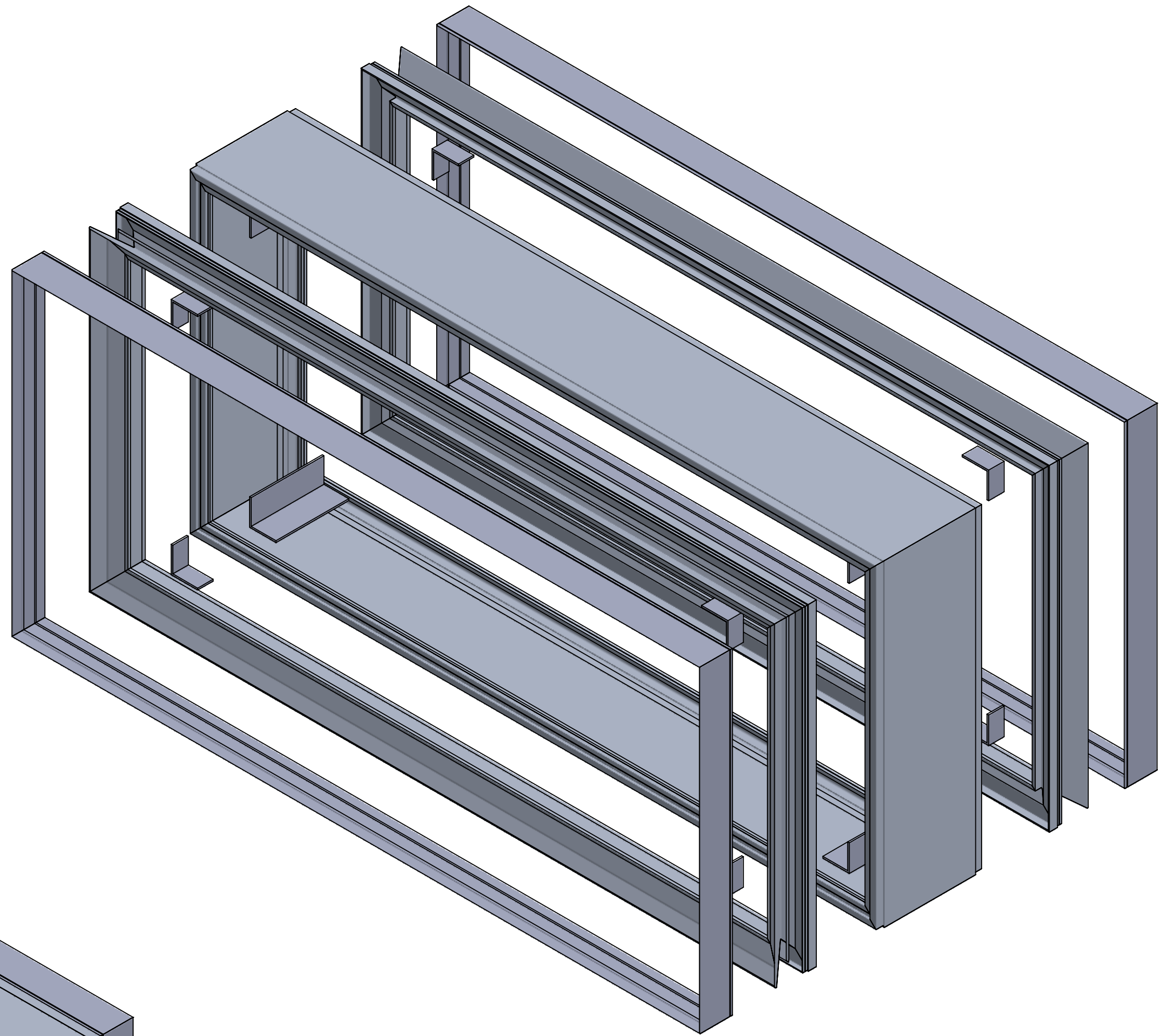
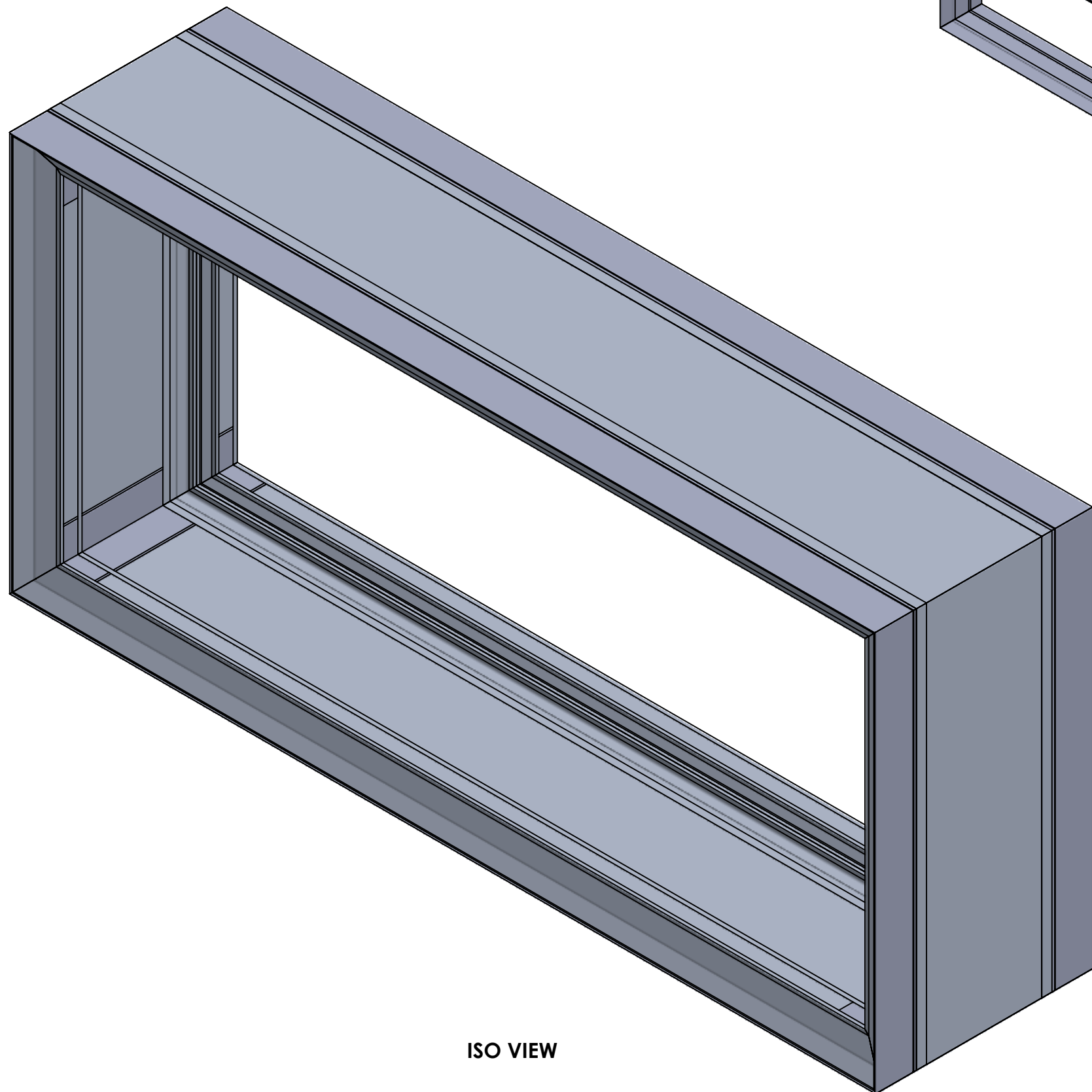
C


B

B

A

A



<b>EXCELLART SIGN PRODUCTS, LLC.</b> 1654 S. LONE ELM RD. OLATHE, KS 66061 (800) 627-9044 SALES@EXCELLART.COM WWW.EXCELLART.COM		UNLESS OTHERWISE SPECIFIED: DIMENSIONS ARE IN INCHES TOLERANCES FRAC = ± 1/32" X.XX = ± 0.03 X.XXX = ± 0.010 ANGULAR: MACH ± 1 BEND ± 2		ASSEMBLY ID: <b>ESPS-12-FLEXBTDF</b>	
THE INFORMATION CONTAINED IN THIS DRAWING IS THE SOLE PROPERTY OF EXCELLART SIGN PRODUCTS, LLC. ANY REPRODUCTION IN PART OR AS A WHOLE WITHOUT THE WRITTEN PERMISSION OF EXCELLART SIGN PRODUCTS, LLC IS PROHIBITED.		<b>PROPRIETARY AND CONFIDENTIAL</b>		DESCRIPTION: <b>ESP-12 STANDARD W. FLEX AND BLEED TRIM</b>	
		DRAWN BY: <b>EXCELLART</b>		APPROVED BY:	
SIZE <b>C</b>	Weight: <b>107.01</b> (lbs)	REV -	SCALE: 1:8    1/8/2024    SHEET 1 OF 3		

4

3

2

1

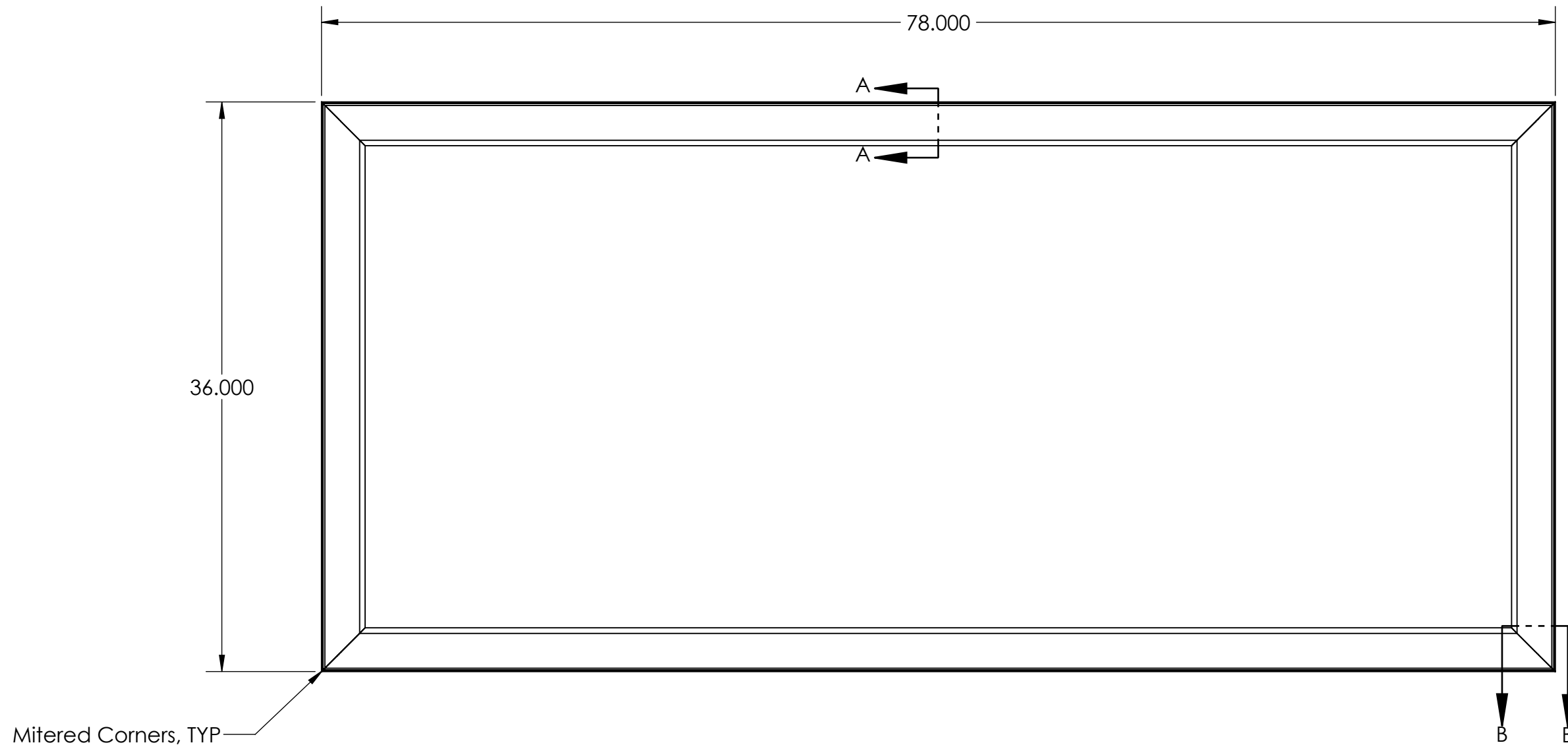
4

3

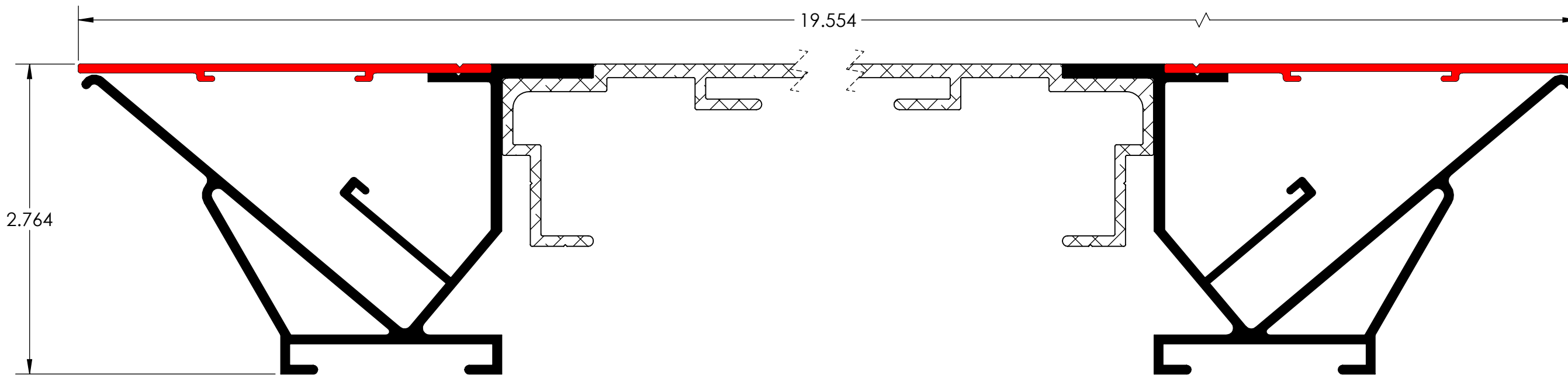
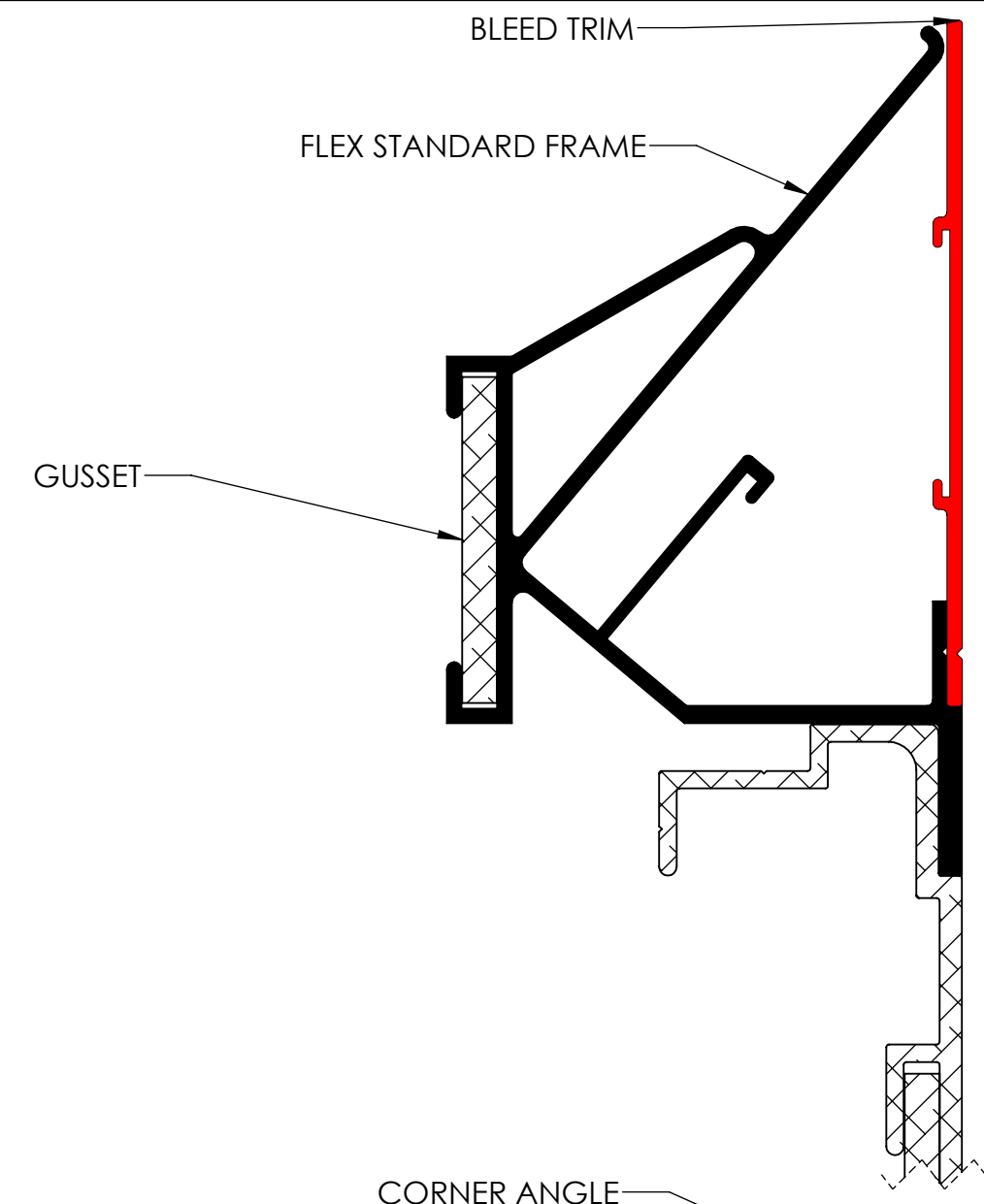
2

1

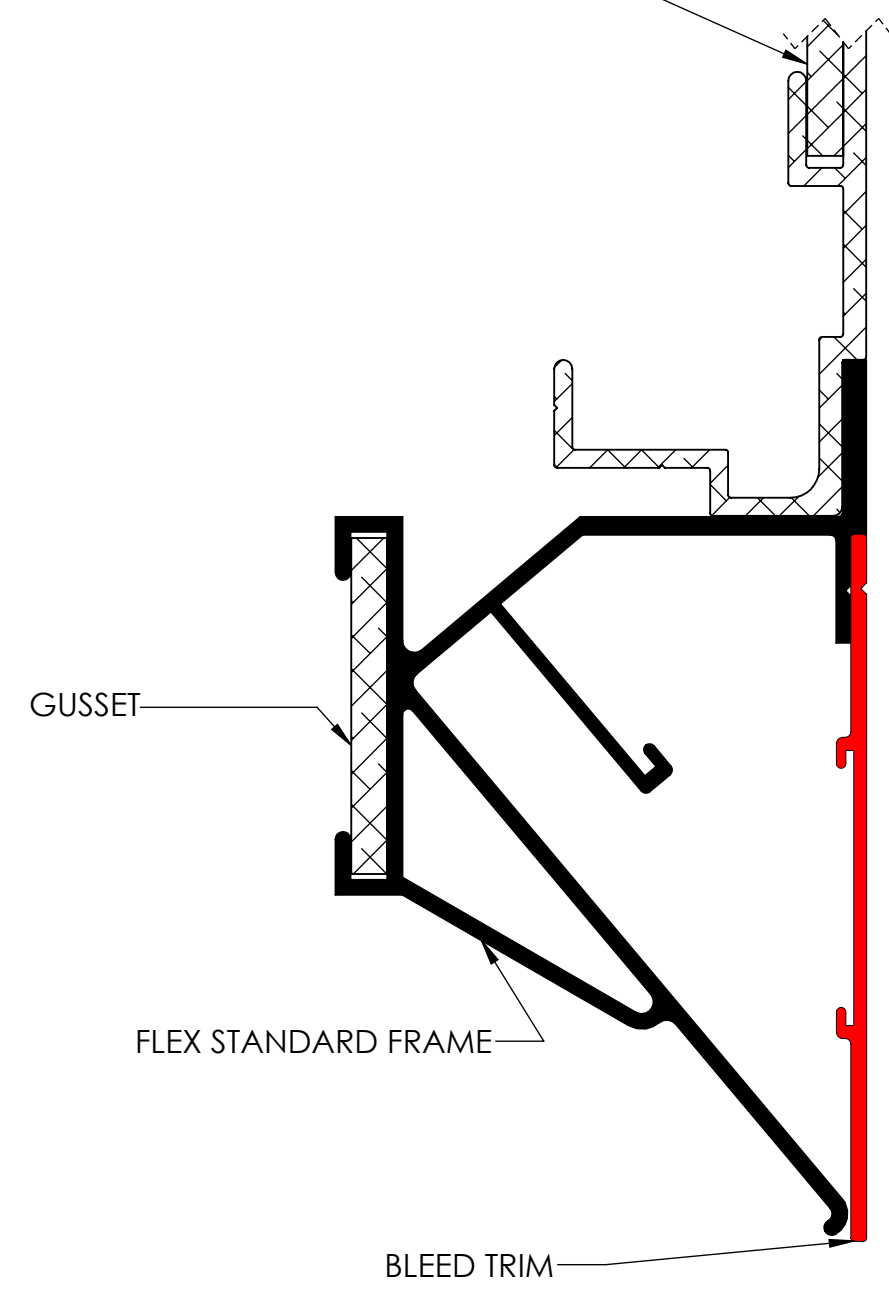
DIMS



FRONT VIEW



SECTION A-A  
ESP-12 FRAME WITH ESP-FLEX STANDARD AND BLEED TRIM  
SCALE 1 : 1



SECTION B-B  
ESP-12 FRAME WITH ESP-FLEX STANDARD AND BLEED TRIM  
SCALE 1 : 1

<p><b>EXCELLART SIGN PRODUCTS, LLC.</b> 1654 S. LONE ELM RD. OLATHE, KS 66061 (800) 627-9044 SALES@EXCELLART.COM WWW.EXCELLART.COM</p>	<p>UNLESS OTHERWISE SPECIFIED: DIMENSIONS ARE IN INCHES TOLERANCES FRAC = ± 1/32" X.XX = ± 0.03 X.XXX = ± 0.010 ANGULAR: MACH ± 1 BEND ± 2</p>	ASSEMBLY ID: <b>ESPS-12-FLEXBTDF</b>	
		DESCRIPTION: <b>ESP-12 STANDARD W. FLEX AND BLEED TRIM</b>	
		DRAWN BY: <b>EXCELLART</b>	APPROVED BY:
		<p>THE INFORMATION CONTAINED IN THIS DRAWING IS THE SOLE PROPERTY OF EXCELLART SIGN PRODUCTS, LLC. ANY REPRODUCTION IN PART OR AS A WHOLE WITHOUT THE WRITTEN PERMISSION OF EXCELLART SIGN PRODUCTS, LLC IS PROHIBITED.</p>	<p>SIZE Weight: <b>107.01</b> (lbs) REV <b>C</b> Perimeter Length: <b>19</b> (ft) -</p>
SCALE: 1:8	1/8/2024	SHEET 2 OF 3	

4

3

2

1

D

D

C

C

B

B

A

A

4

3

2

1

BOM

ITEM NO.	PART NUMBER	DESCRIPTION	MATERIAL	QTY.
1	ESP1280296	ESP-12 FRAME	6063-T6	1
2	ESP1280425	ESP-FLEX STANDARD FRAME	6063-T6	2
3	ESP1280415	ESP-BLEED TRIM	6063-T6	2
4	ESP1280136	8 1/4" X 3" X 3" X 3/16" ANGLE	6063-T6	4
5	ESP1280307	1 3/4" X 3" X 3" X 3/16" GUSSET	6063-T6	8

NOTES:

- 1) ESP-12 STANDARD WITH FLEX STANDARD FRAME AND BLEED TRIM COVER KIT CONSISTS OF QTY (4) ESP-12 STANDARD FRAME PIECES, QTY (4) CORNER ANGLES, QTY (8) ESP-FLEX STANDARD FRAME PIECES, QTY (8) BLEED TRIM COVER PIECES, AND QTY (8) GUSSETS
- 2) ANGLES ARE USED TO GUIDE FRAME PIECES INTO POSITION
- 3) GUSSETS ARE USED TO GUIDE RETAINER PIECES INTO POSITION (IF APPLICABLE)
- 4) HINGED FRAME SECTION AND HINGED RETAINERS SHOWN TO BE ON TOP OF SIGN CABINET (IF APPLICABLE)
- 5) SELF DRILLING SCREWS / RIVETS / LOCK CYLINDERS ETC (BY OTHERS) TO SECURE RETAINERS AS NEEDED
- 6) ANGLES AND GUSSETS TYPICALLY WELDED TO FRAMING (BY OTHERS)
- 7) 6" - 8" CENTER TO CENTER SPACING RECOMMENDED FOR FLEX CLIPS
- 8) PIANO HINGES USED TO ALLOW IDS RETAINERS TO HINGE OPEN (IF APPLICABLE)
- 9) H1 / H1.5 RETAINERS ALLOW SECONDARY FACE TO BE MOUNTED BEHIND PRIMARY FACE
- 10) EXCELLART UL FILE NUMBER: E152309

ISO VIEW  
(EXPLODED)

<b>EXCELLART SIGN PRODUCTS, LLC.</b> 1654 S. LONE ELM RD. OLATHE, KS 66061 (800) 627-9044 SALES@EXCELLART.COM WWW.EXCELLART.COM		UNLESS OTHERWISE SPECIFIED: DIMENSIONS ARE IN INCHES TOLERANCES FRAC = ± 1/32" X.XX = ± 0.03 X.XXX = ± 0.010 ANGULAR: MACH ± 1° BEND ± 2°		ASSEMBLY ID: <b>ESPS-12-FLEXBTDF</b>	
PROPRIETARY AND CONFIDENTIAL THE INFORMATION CONTAINED IN THIS DRAWING IS THE SOLE PROPERTY OF EXCELLART SIGN PRODUCTS, LLC. ANY REPRODUCTION IN PART OR AS A WHOLE WITHOUT THE WRITTEN PERMISSION OF EXCELLART SIGN PRODUCTS, LLC IS PROHIBITED.		DRAWN BY: EXCELLART		APPROVED BY:	
		SIZE <b>C</b>	Weight: <b>107.01</b> (lbs)	REV	
SCALE: 1:8		1/8/2024		SHEET 3 OF 3	

4

3

2

1