

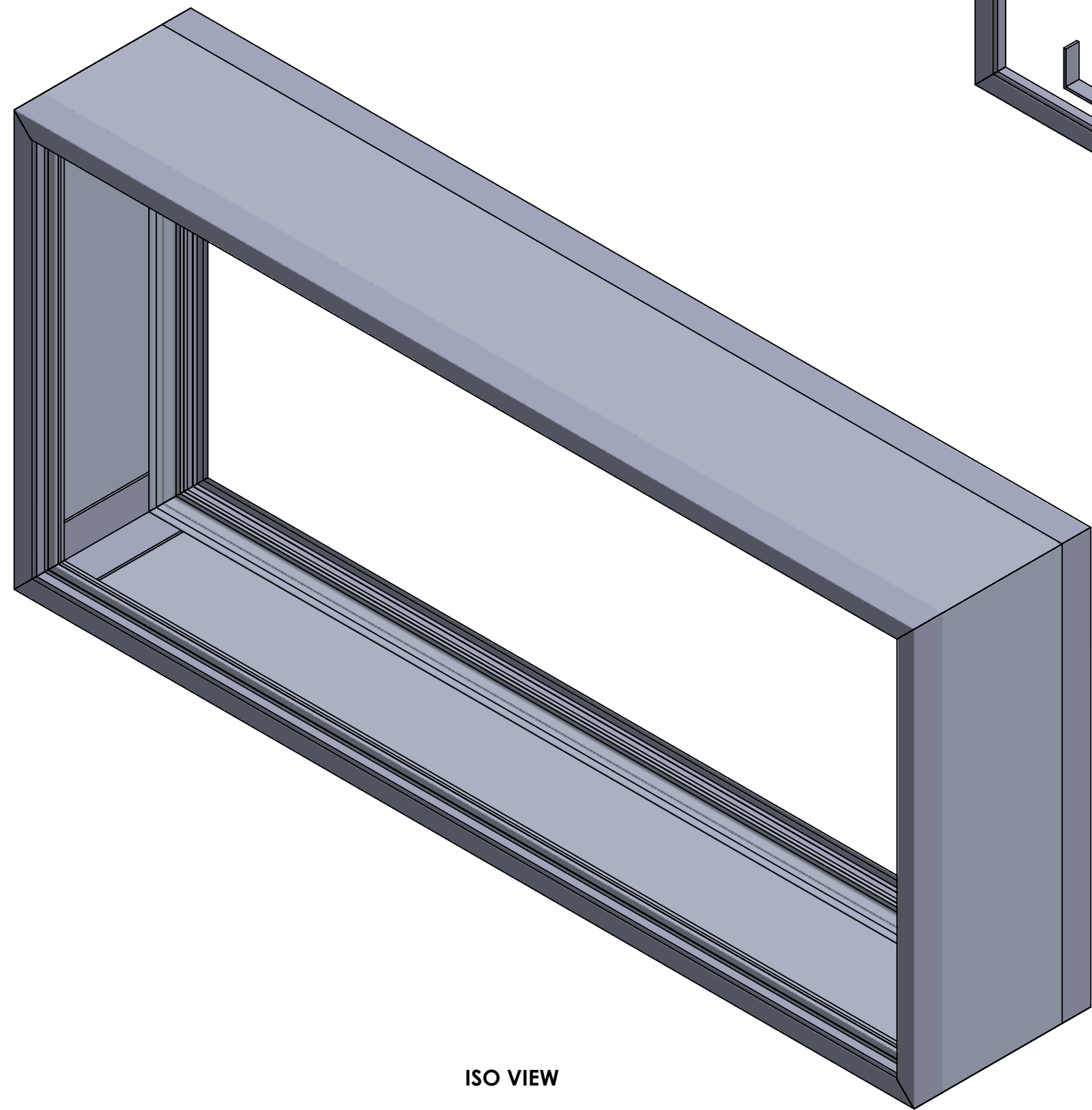
4

3

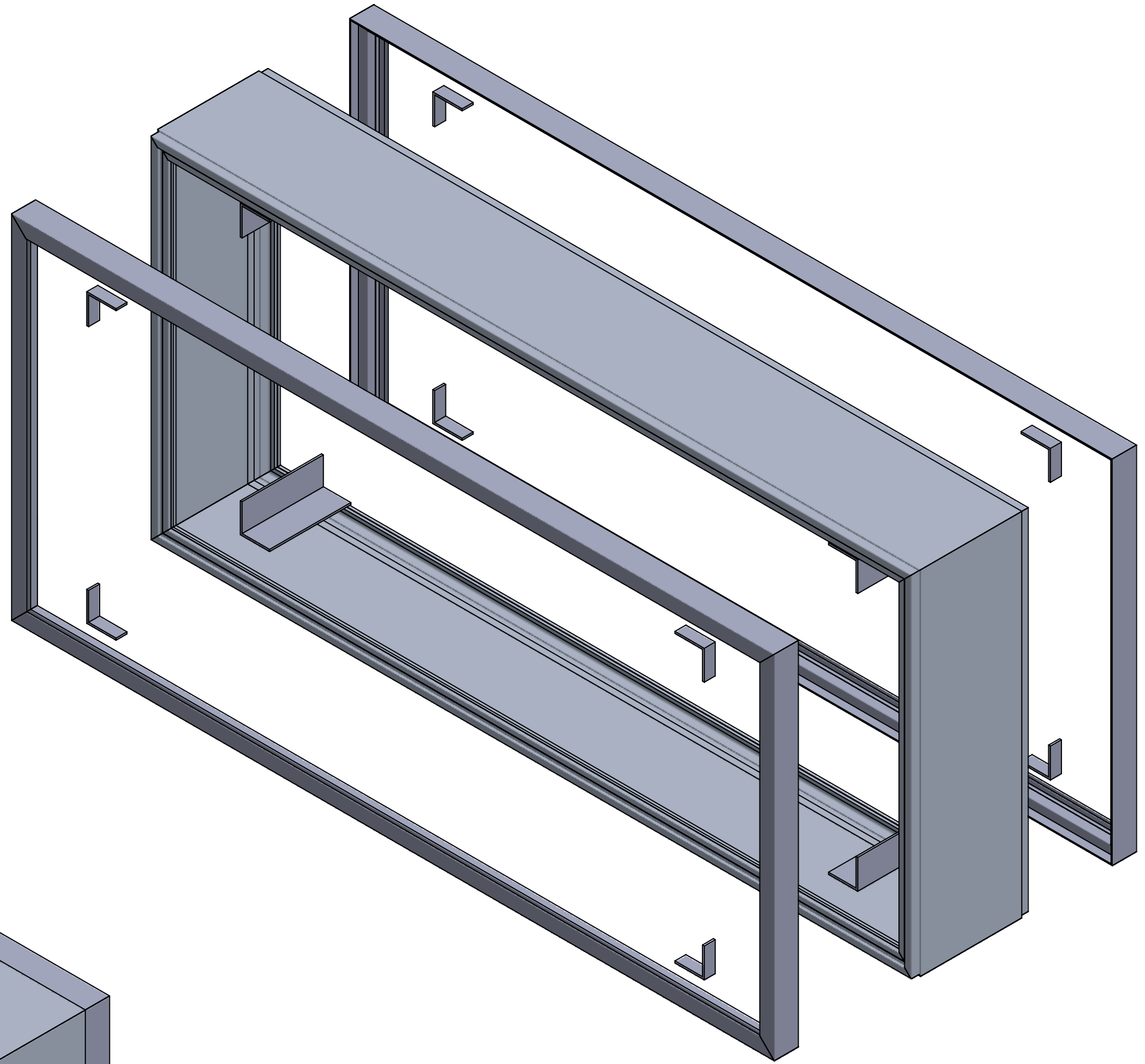
2

1

COVER



ISO VIEW



ISO VIEW (EXPLODED)

**EXCELLART SIGN PRODUCTS, LLC.**  
 1654 S. LONE ELM RD.  
 OLATHE, KS 66061  
 (800) 627-9044  
 SALES@EXCELLART.COM  
 WWW.EXCELLART.COM



UNLESS OTHERWISE SPECIFIED:  
 DIMENSIONS ARE IN INCHES  
 TOLERANCES  
 FRAC = ± 1/32"  
 X.XX = ± 0.03  
 X.XXX = ± 0.010  
 ANGULAR: MACH ± 1° BEND ± 2°

**PROPRIETARY AND CONFIDENTIAL**  
 THE INFORMATION CONTAINED IN THIS DRAWING IS THE SOLE PROPERTY OF EXCELLART SIGN PRODUCTS, LLC. ANY REPRODUCTION IN PART OR AS A WHOLE WITHOUT THE WRITTEN PERMISSION OF EXCELLART SIGN PRODUCTS, LLC IS PROHIBITED.

ASSEMBLY ID: <b>ESPS-12-FFDF</b>	
DESCRIPTION: <b>ESP-12 STANDARD W. FF RETAINER</b>	
DRAWN BY: <b>EXCELLART</b>	APPROVED BY:
SIZE <b>C</b>	Weight: <b>74.86</b> (lbs) REV - Perimeter Length: <b>19</b> (ft)
SCALE: 1:8	1/8/2024 SHEET 1 OF 3

4

3

2

1

D

D

C

C

B

B

A

A

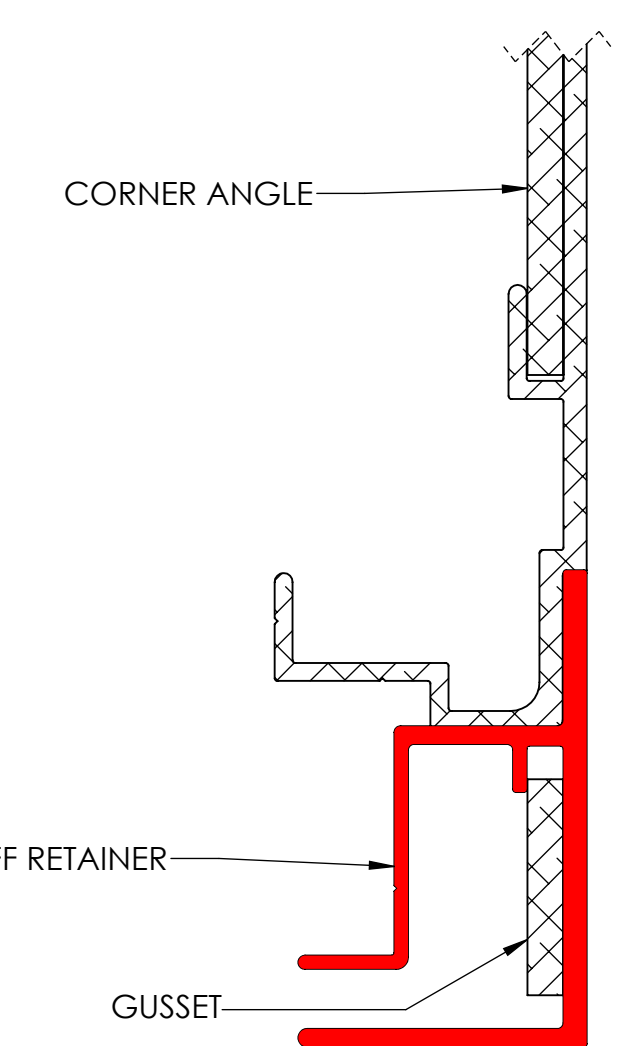
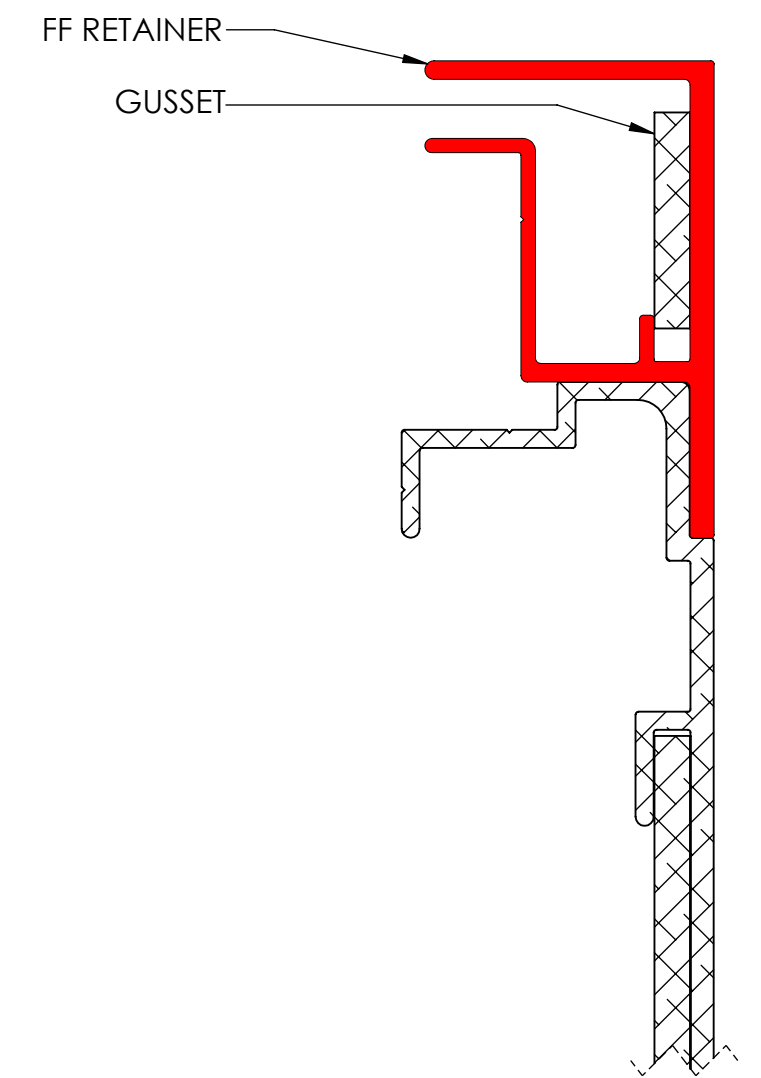
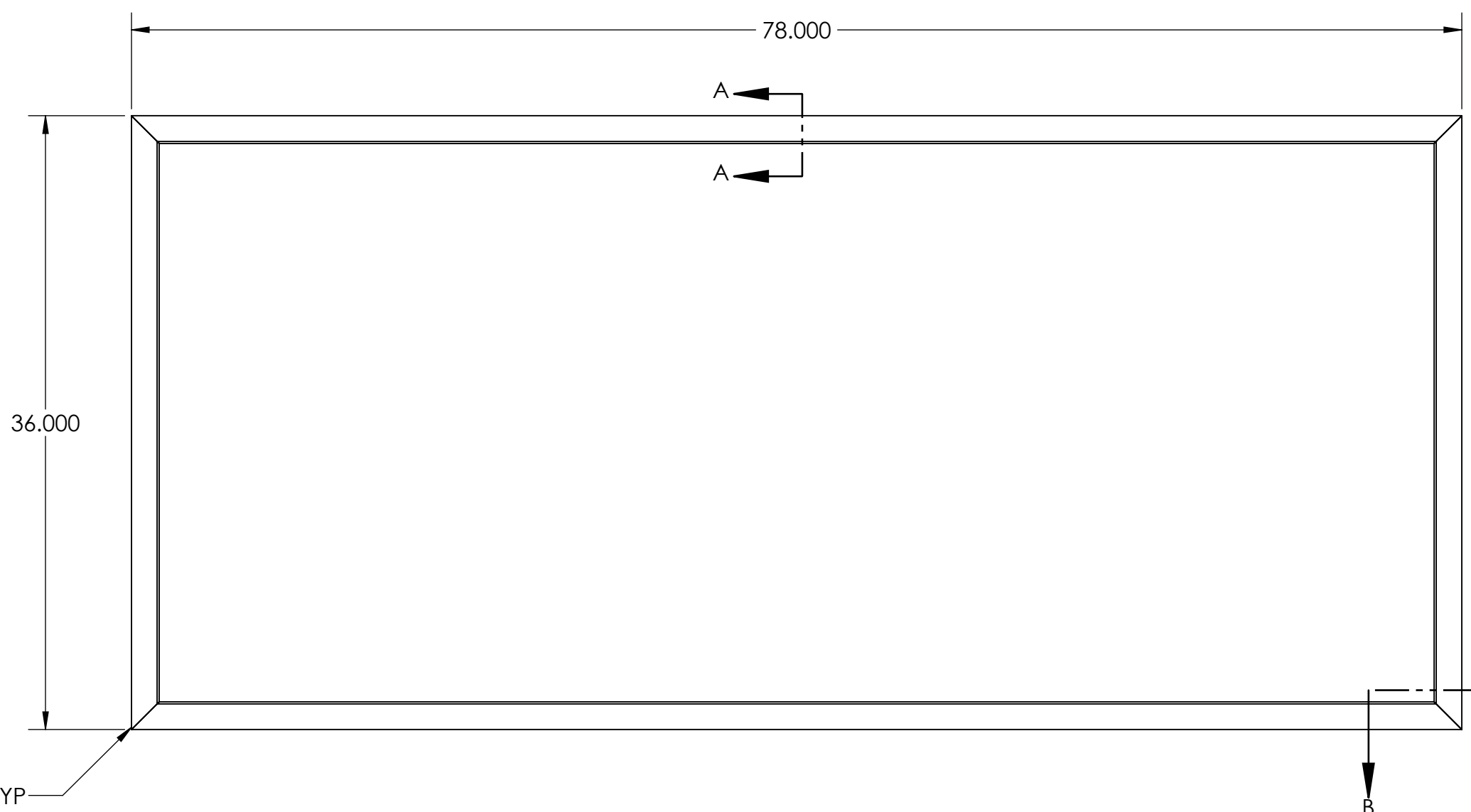
4

3

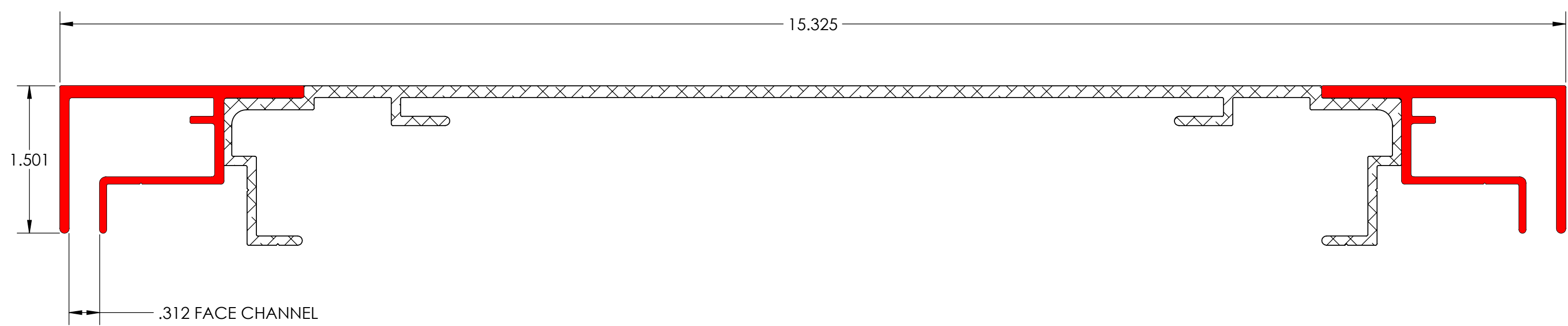
2

1

DIMS



SECTION B-B  
ESP-12 FRAME WITH ESP-FF RETAINERS  
SCALE 1 : 1



SECTION A-A  
ESP-12 FRAME WITH ESP-FF RETAINERS  
SCALE 1 : 1

EXCELLART SIGN PRODUCTS, LLC.  
1654 S. LONE ELM RD.  
OLATHE, KS 66061  
(800) 627-9044  
SALES@EXCELLART.COM  
WWW.EXCELLART.COM



UNLESS OTHERWISE SPECIFIED:  
DIMENSIONS ARE IN INCHES  
TOLERANCES  
FRAC = ± 1/32"  
X.XX = ± 0.03  
X.XXX = ± 0.010  
ANGULAR: MACH ± 1 BEND ± 2

PROPRIETARY AND CONFIDENTIAL  
THE INFORMATION CONTAINED IN THIS DRAWING IS THE SOLE PROPERTY OF EXCELLART SIGN PRODUCTS, LLC. ANY REPRODUCTION IN PART OR AS A WHOLE WITHOUT THE WRITTEN PERMISSION OF EXCELLART SIGN PRODUCTS, LLC IS PROHIBITED.

ASSEMBLY ID: <b>ESPS-12-FFDF</b>	
DESCRIPTION: <b>ESP-12 STANDARD W. FF RETAINER</b>	
DRAWN BY: EXCELLART	APPROVED BY:
SIZE <b>C</b>	Weight: <b>74.86</b> (lbs) REV Perimeter Length: <b>19</b> (ft) -
SCALE: 1:8	1/8/2024 SHEET 2 OF 3

4

3

2

1

D

D

C

C

B

B

A

A

4

3

2

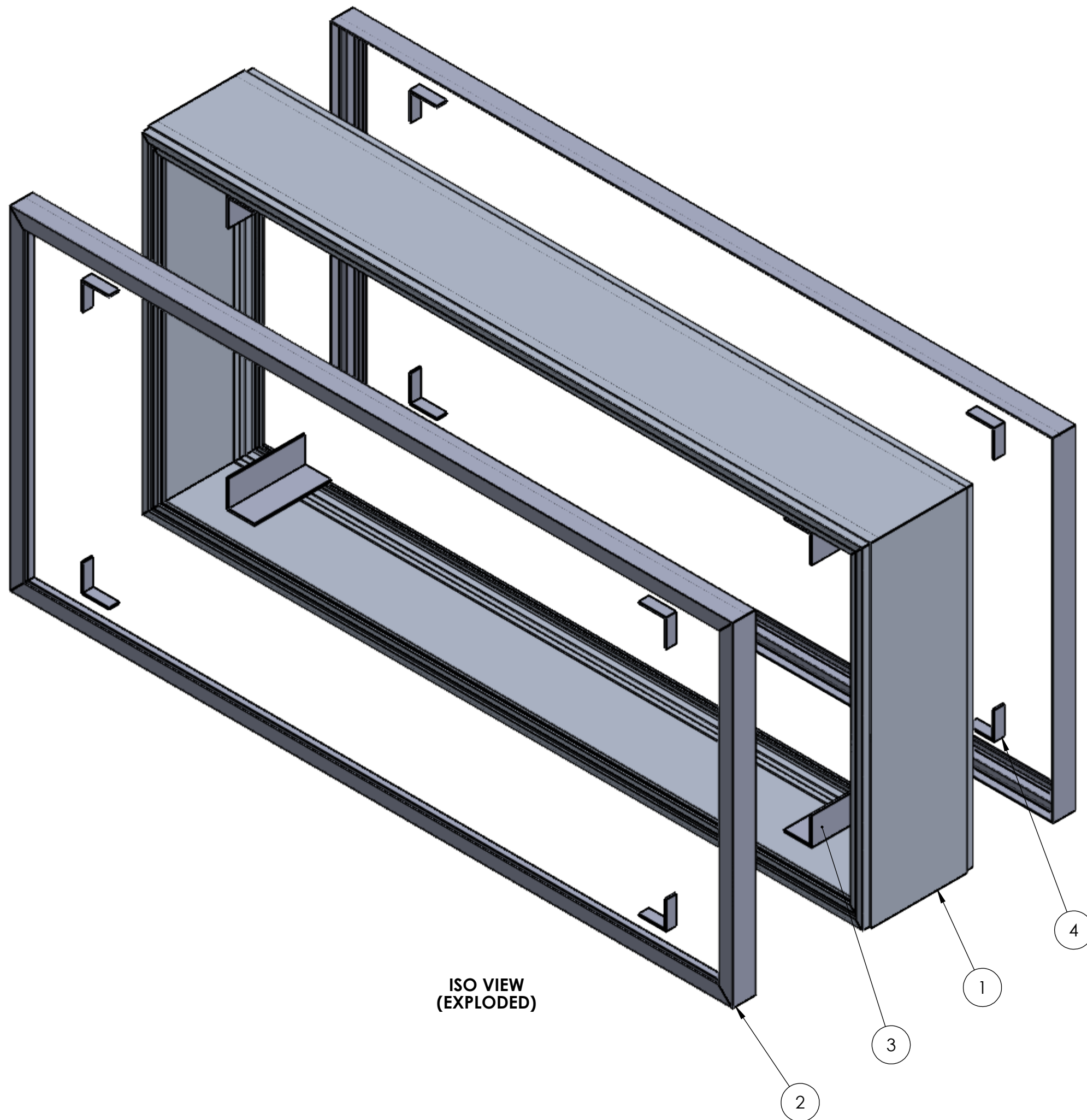
1

BOM


ITEM NO.	PART NUMBER	DESCRIPTION	MATERIAL	QTY.
1	ESP1280296	ESP-12 FRAME	6063-T6	1
2	ESP1280117	ESP-FF RETAINER	6063-T6	2
3	ESP1280206	8 5/16" X 3" X 3" X 3/16" ANGLE	6063-T6	4
4	ESP1280119	1 1/8" X 3" X 3" X 3/16" GUSSET	6063-T6	8

NOTES:

- 1) ESP-12 KIT CONSISTS OF QTY (4) ESP-12 FRAME PIECES, QTY (4) CORNER ANGLES, QTY (8) ESP-FF2 RETAINERS, AND QTY (8) RETAINER GUSSETS
- 2) ANGLES ARE USED TO GUIDE FRAME PIECES INTO POSITION
- 3) GUSSETS ARE USED TO GUIDE RETAINER PIECES INTO POSITION (IF APPLICABLE)
- 4) HINGED FRAME SECTION AND HINGED RETAINERS SHOWN TO BE ON TOP OF SIGN CABINET (IF APPLICABLE)
- 5) SELF DRILLING SCREWS / RIVETS / LOCK CYLINDERS ETC (BY OTHERS) TO SECURE RETAINERS AS NEEDED
- 6) ANGLES AND GUSSETS TYPICALLY WELDED TO FRAMING (BY OTHERS)
- 7) 6" - 8" CENTER TO CENTER SPACING RECOMMENDED FOR FLEX CLIPS
- 8) PIANO HINGES USED TO ALLOW IDS RETAINERS TO HINGE OPEN (IF APPLICABLE)
- 9) H1 / H1.5 RETAINERS ALLOW SECONDARY FACE TO BE MOUNTED BEHIND PRIMARY FACE
- 10) EXCELLART UL FILE NUMBER: E152309



ISO VIEW (EXPLODED)

<b>EXCELLART SIGN PRODUCTS, LLC.</b> 1654 S. LONE ELM RD. OLATHE, KS 66061 (800) 627-9044 SALES@EXCELLART.COM WWW.EXCELLART.COM		UNLESS OTHERWISE SPECIFIED: DIMENSIONS ARE IN INCHES TOLERANCES FRAC = ± 1/32" X.XX = ± 0.03 X.XXX = ± 0.010 ANGULAR: MACH ± 1° BEND ± 2°		ASSEMBLY ID: <b>ESPS-12-FFDF</b>	
 <p>THE INFORMATION CONTAINED IN THIS DRAWING IS THE SOLE PROPERTY OF EXCELLART SIGN PRODUCTS, LLC. ANY REPRODUCTION IN PART OR AS A WHOLE WITHOUT THE WRITTEN PERMISSION OF EXCELLART SIGN PRODUCTS, LLC IS PROHIBITED.</p>		PROPRIETARY AND CONFIDENTIAL		DESCRIPTION: <b>ESP-12 STANDARD W. FF RETAINER</b>	
		DRAWN BY: EXCELLART		APPROVED BY:	
SIZE	Weight: <b>74.86</b> (lbs)	REV			
<b>C</b>	Perimeter Length: <b>19</b> (ft)	-			
SCALE: 1:8	1/8/2024	SHEET 3 OF 3			

4

3

2

1