

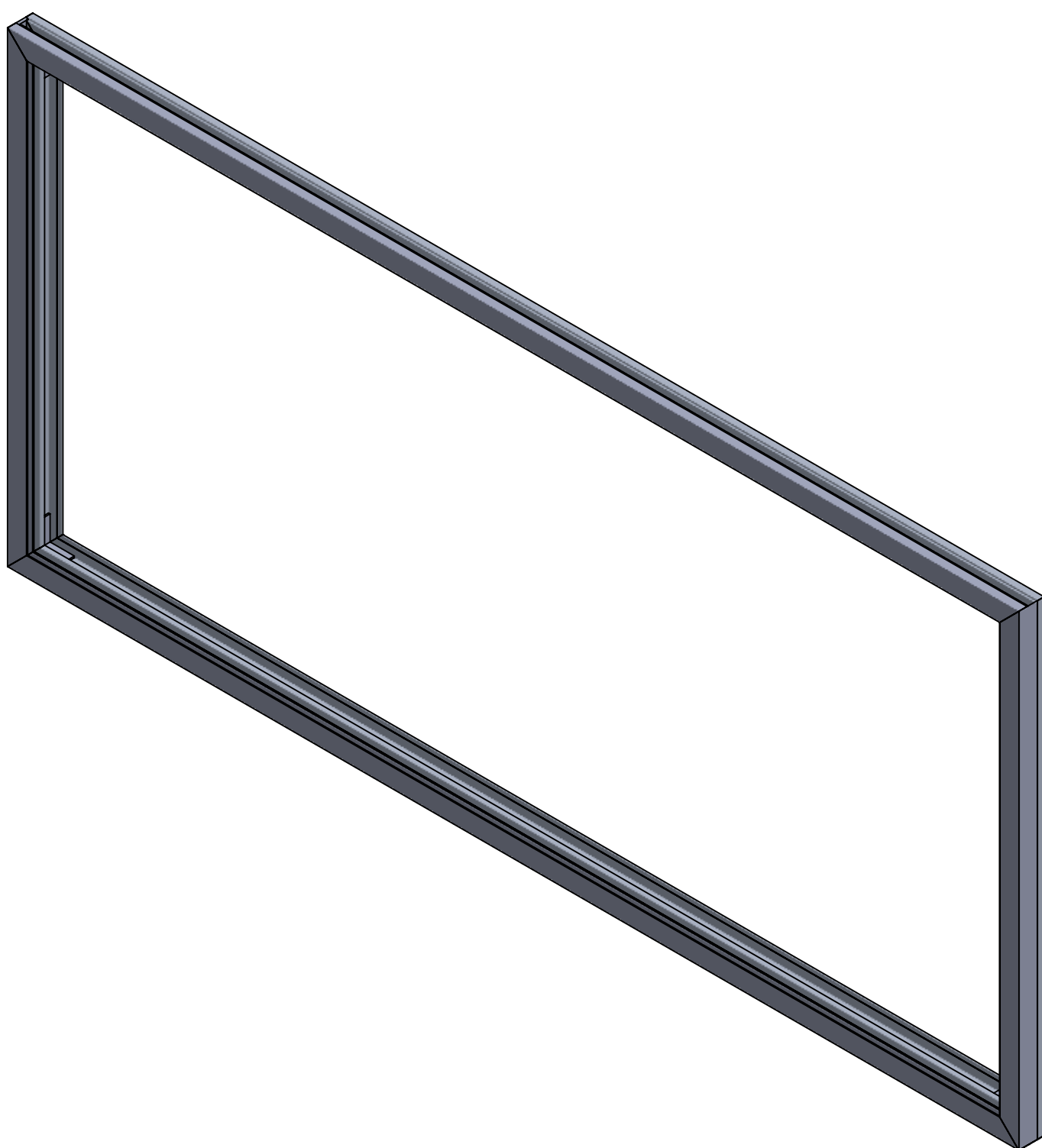
4

3

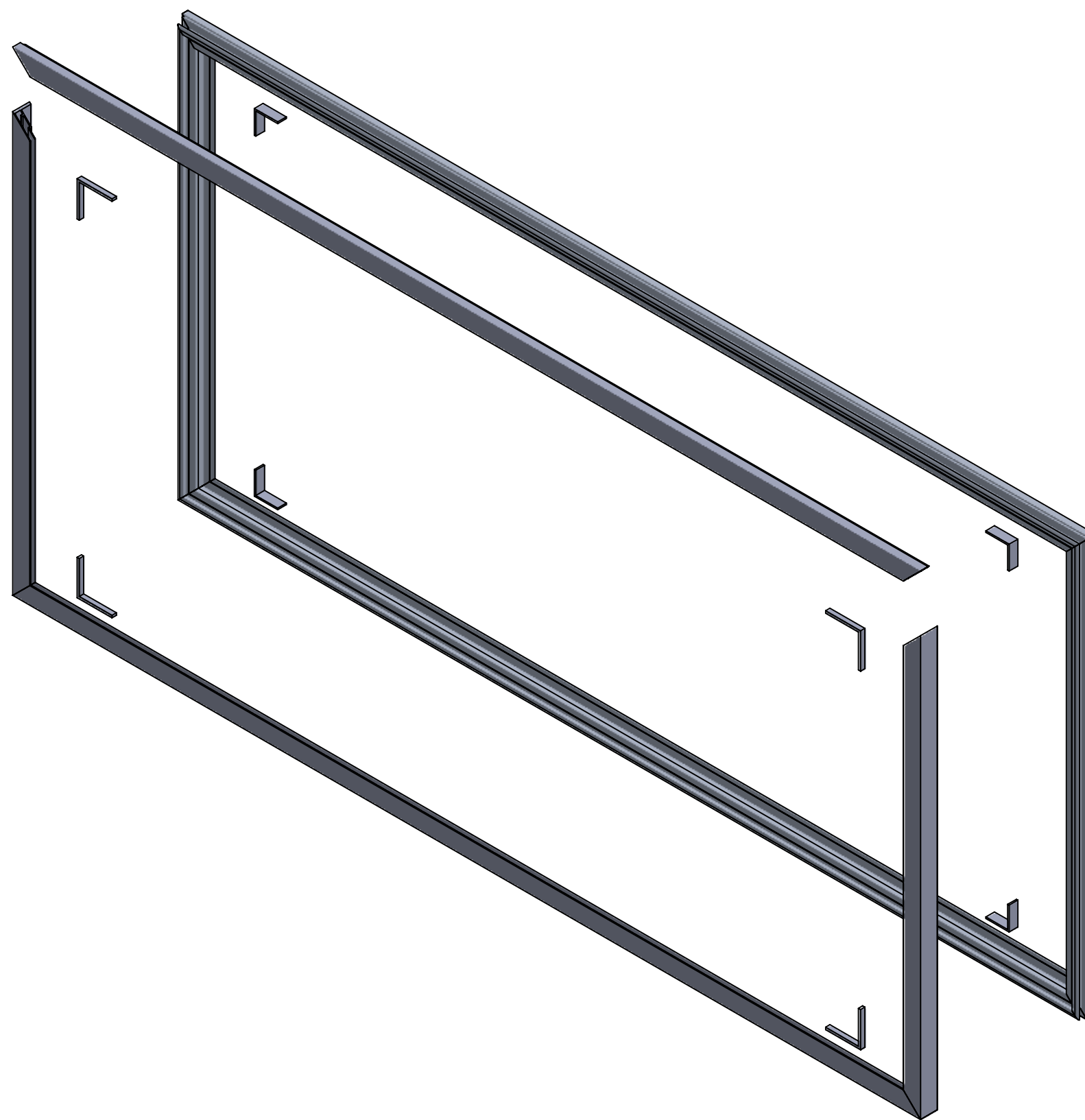
2

1


COVER



ISO VIEW



ISO VIEW (EXPLODED)

EXCELLART SIGN PRODUCTS, LLC. 1654 S. LONE ELM RD. OLATHE, KS 66061 (800) 627-9044 SALES@EXCELLART.COM WWW.EXCELLART.COM		UNLESS OTHERWISE SPECIFIED: DIMENSIONS ARE IN INCHES TOLERANCES FRAC = ± 1/32" X.XX = ± 0.03 X.XXX = ± 0.010 ANGULAR: MACH ± 1° BEND ± 2°		ASSEMBLY ID: ESPH-WM-FSF	
		PROPRIETARY AND CONFIDENTIAL THE INFORMATION CONTAINED IN THIS DRAWING IS THE SOLE PROPERTY OF EXCELLART SIGN PRODUCTS, LLC. ANY REPRODUCTION IN PART OR AS A WHOLE WITHOUT THE WRITTEN PERMISSION OF EXCELLART SIGN PRODUCTS, LLC IS PROHIBITED.		DESCRIPTION: ESP-WM HINGED W. F RETAINER	
		DRAWN BY: EXCELLART		APPROVED BY:	
SIZE C		Weight: 23.91 (lbs)		REV -	
SCALE: 1:8		1/8/2024		SHEET 1 OF 3	

4

3

2

1

D

D

C

C

B

B

A

A

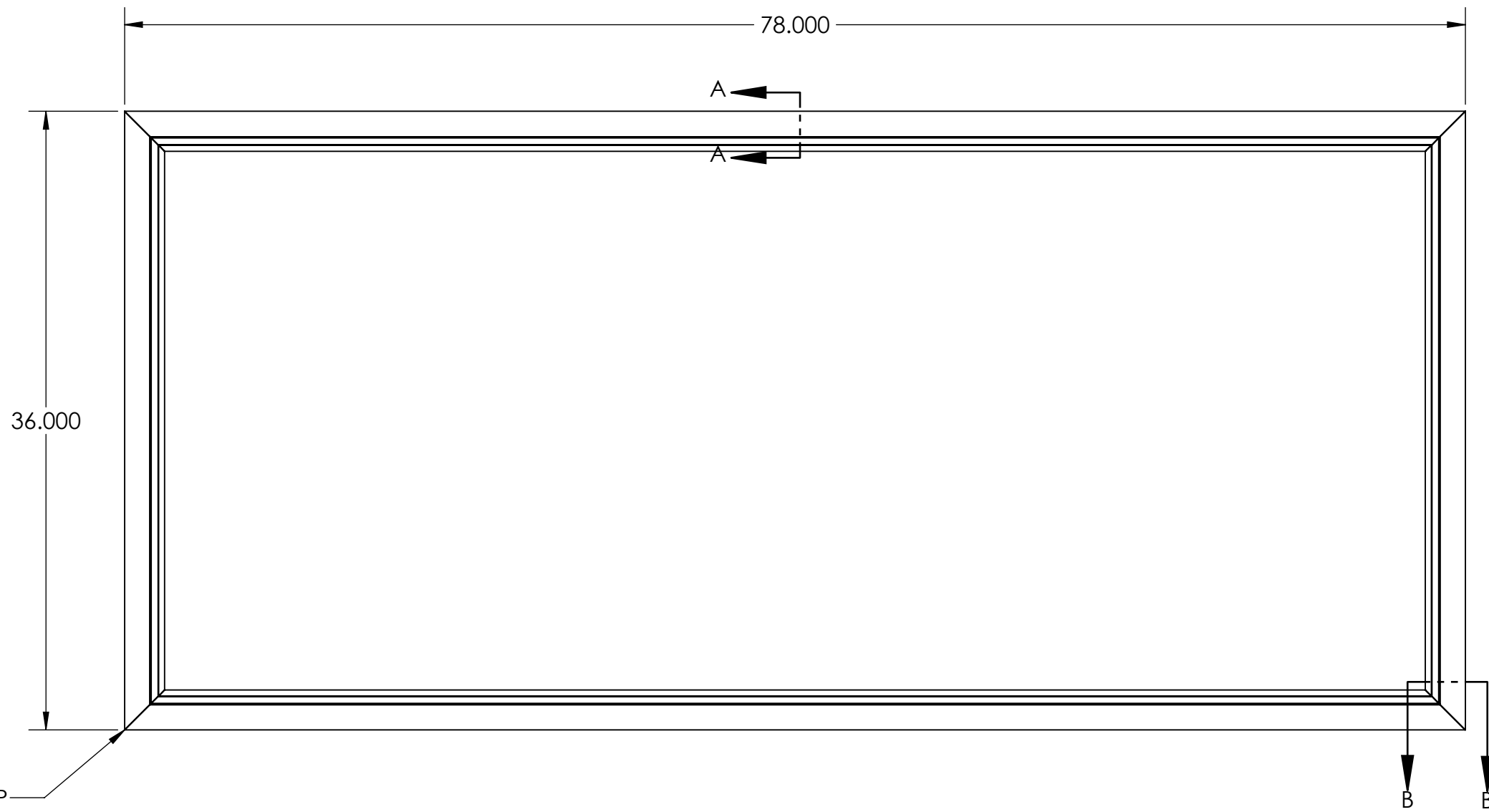
4

3

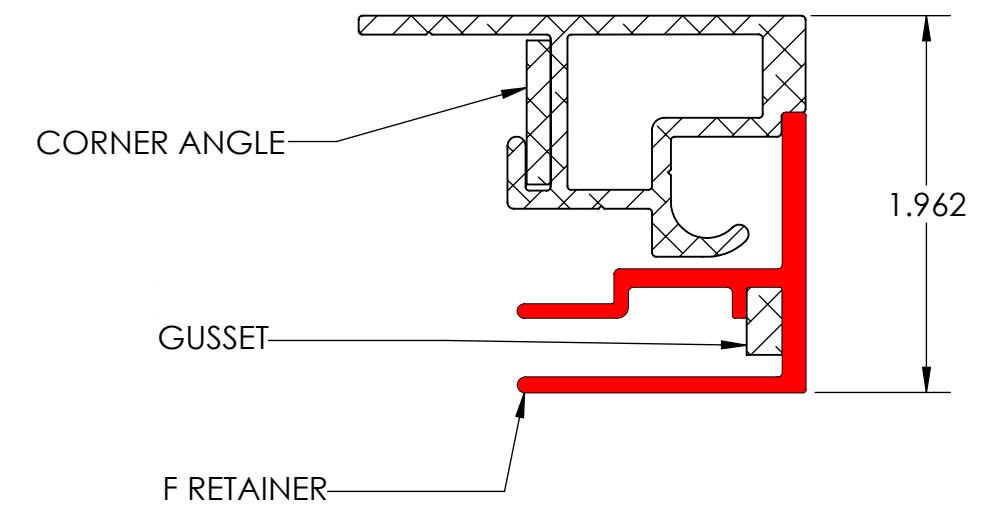
2

1

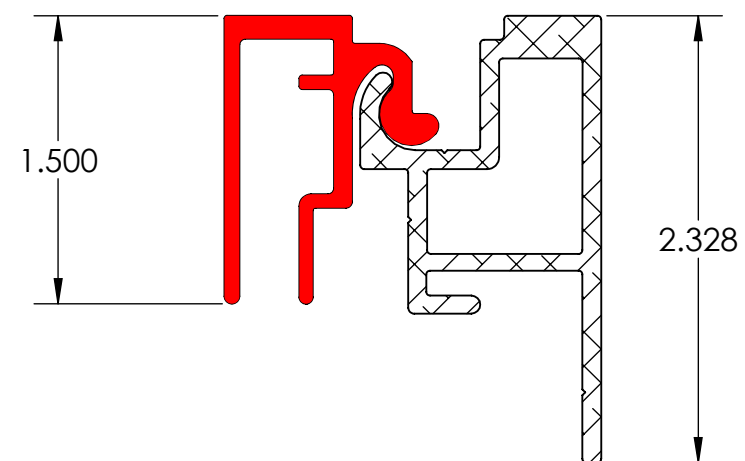
DIMS



FRONT VIEW



SECTION B-B
ESP-WM FRAME WITH ESP-F HINGED RETAINER
SCALE 1 : 1



SECTION A-A
ESP-WM FRAME WITH ESP-F HINGED RETAINER
SCALE 1 : 1

EXCELLART SIGN PRODUCTS, LLC. 1654 S. LONE ELM RD. OLATHE, KS 66061 (800) 627-9044 SALES@EXCELLART.COM WWW.EXCELLART.COM		UNLESS OTHERWISE SPECIFIED: DIMENSIONS ARE IN INCHES TOLERANCES FRAC = ± 1/32" X.XX = ± 0.03 X.XXX = ± 0.010 ANGULAR: MACH ± 1 BEND ± 2		ASSEMBLY ID: ESPH-WM-FSF	
THE INFORMATION CONTAINED IN THIS DRAWING IS THE SOLE PROPERTY OF EXCELLART SIGN PRODUCTS, LLC. ANY REPRODUCTION IN PART OR AS A WHOLE WITHOUT THE WRITTEN PERMISSION OF EXCELLART SIGN PRODUCTS, LLC IS PROHIBITED.		PROPRIETARY AND CONFIDENTIAL		DESCRIPTION: ESP-WM HINGED W. F RETAINER	
		DRAWN BY: EXCELLART		APPROVED BY:	
EXCELLART		SIZE C	Weight: 23.91 (lbs)	REV -	SCALE: 1:8 1/8/2024 SHEET 2 OF 3

4

3

2

1

D

D

C

C

B

B

A

A

4

3

2

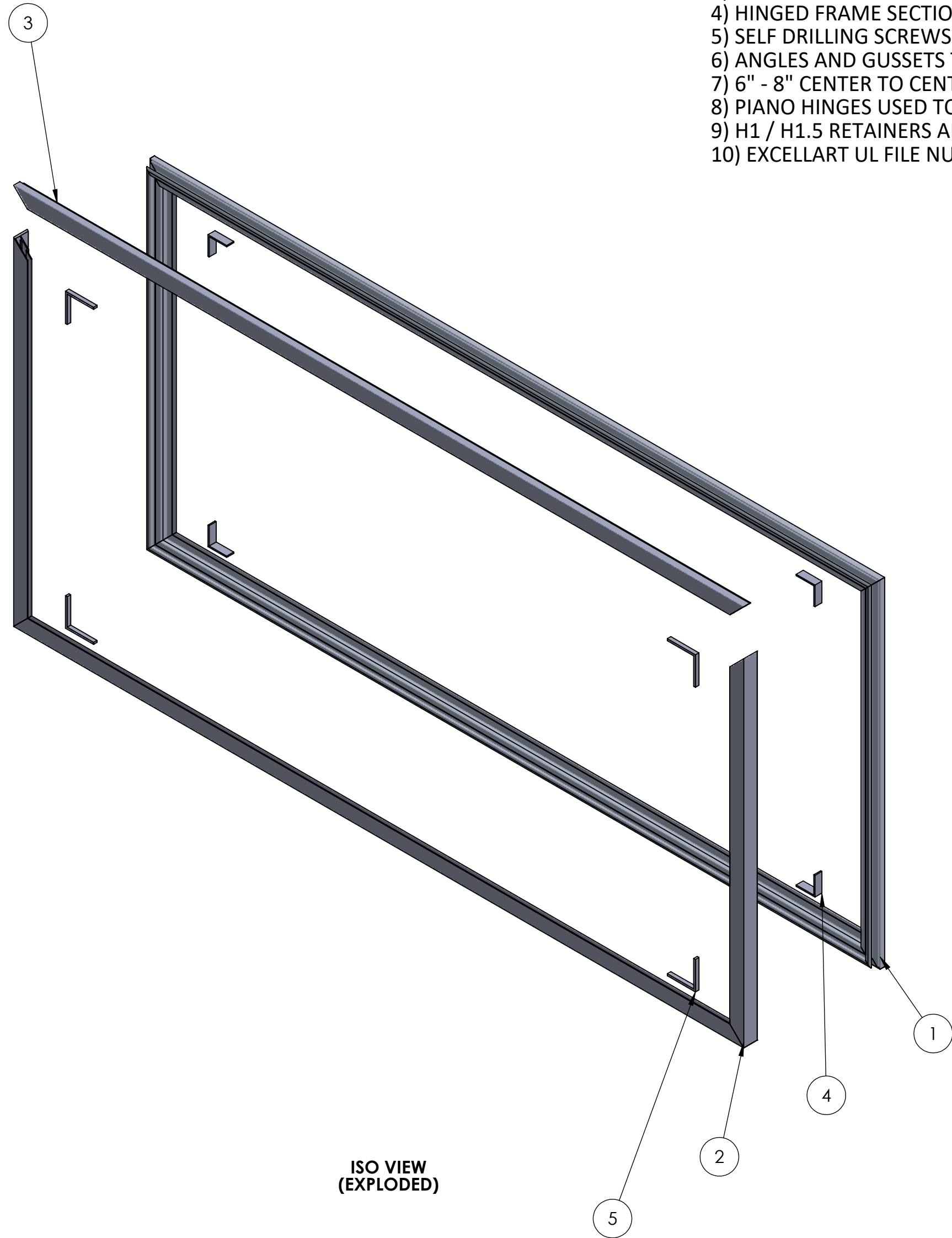
1

BOM

ITEM NO.	PART NUMBER	DESCRIPTION	MATERIAL	QTY.
1	ESP1280290	ESP-WM HINGED FRAME	6063-T6	1
2	ESP1280301	ESP-F RETAINER	6063-T6	1
3	ESP1280302	ESP-F HINGED RETAINER	6063-T6	1
4	ESP1280289	2 X 2 X .125" ANGLE	6063-T6	4
5	ESP1280185	3/8" X 3" X 3" X 3/16" GUSSET	6063-T6	4

NOTES:

- 1) ESP-WM KIT CONSISTS OF QTY (4) ESP-WM FRAME PIECES, QTY (4) CORNER ANGLES, QTY (3) ESP-F RETAINER PIECES, QTY (1) ESP-F HINGED RETAINER PIECE, AND QTY (4) RETAINER GUSSETS
- 2) ANGLES ARE USED TO GUIDE FRAME PIECES INTO POSITION
- 3) GUSSETS ARE USED TO GUIDE RETAINER PIECES INTO POSITION (IF APPLICABLE)
- 4) HINGED FRAME SECTION AND HINGED RETAINERS SHOWN TO BE ON TOP OF SIGN CABINET (IF APPLICABLE)
- 5) SELF DRILLING SCREWS / RIVETS / LOCK CYLINDERS ETC (BY OTHERS) TO SECURE RETAINERS AS NEEDED
- 6) ANGLES AND GUSSETS TYPICALLY WELDED TO FRAMING (BY OTHERS)
- 7) 6" - 8" CENTER TO CENTER SPACING RECOMMENDED FOR FLEX CLIPS
- 8) PIANO HINGES USED TO ALLOW IDS RETAINERS TO HINGE OPEN (IF APPLICABLE)
- 9) H1 / H1.5 RETAINERS ALLOW SECONDARY FACE TO BE MOUNTED BEHIND PRIMARY FACE
- 10) EXCELLART UL FILE NUMBER: E152309



ISO VIEW (EXPLODED)

EXCELLART SIGN PRODUCTS, LLC. 1654 S. LONE ELM RD. OLATHE, KS 66061 (800) 627-9044 SALES@EXCELLART.COM WWW.EXCELLART.COM	UNLESS OTHERWISE SPECIFIED: DIMENSIONS ARE IN INCHES TOLERANCES: FRAC = ± 1/32" X.XX = ± 0.03 X.XXX = ± 0.010 ANGULAR: MACH ± 1° BEND ± 2°	ASSEMBLY ID: ESPH-WM-FSF	
		DESCRIPTION: ESP-WM HINGED W. F RETAINER	
EXCELLART <small>THE INFORMATION CONTAINED IN THIS DRAWING IS THE SOLE PROPERTY OF EXCELLART SIGN PRODUCTS, LLC. ANY REPRODUCTION IN PART OR AS A WHOLE WITHOUT THE WRITTEN PERMISSION OF EXCELLART SIGN PRODUCTS, LLC IS PROHIBITED.</small>	PROPRIETARY AND CONFIDENTIAL	DRAWN BY: EXCELLART	APPROVED BY:
	SIZE: C	Weight: 23.91 (lbs)	REV: -
	SCALE: 1:8	Perimeter Length: 19 (ft)	SHEET 3 OF 3

4

3

2

1