

4

3

2

1

COVER

D

D

C

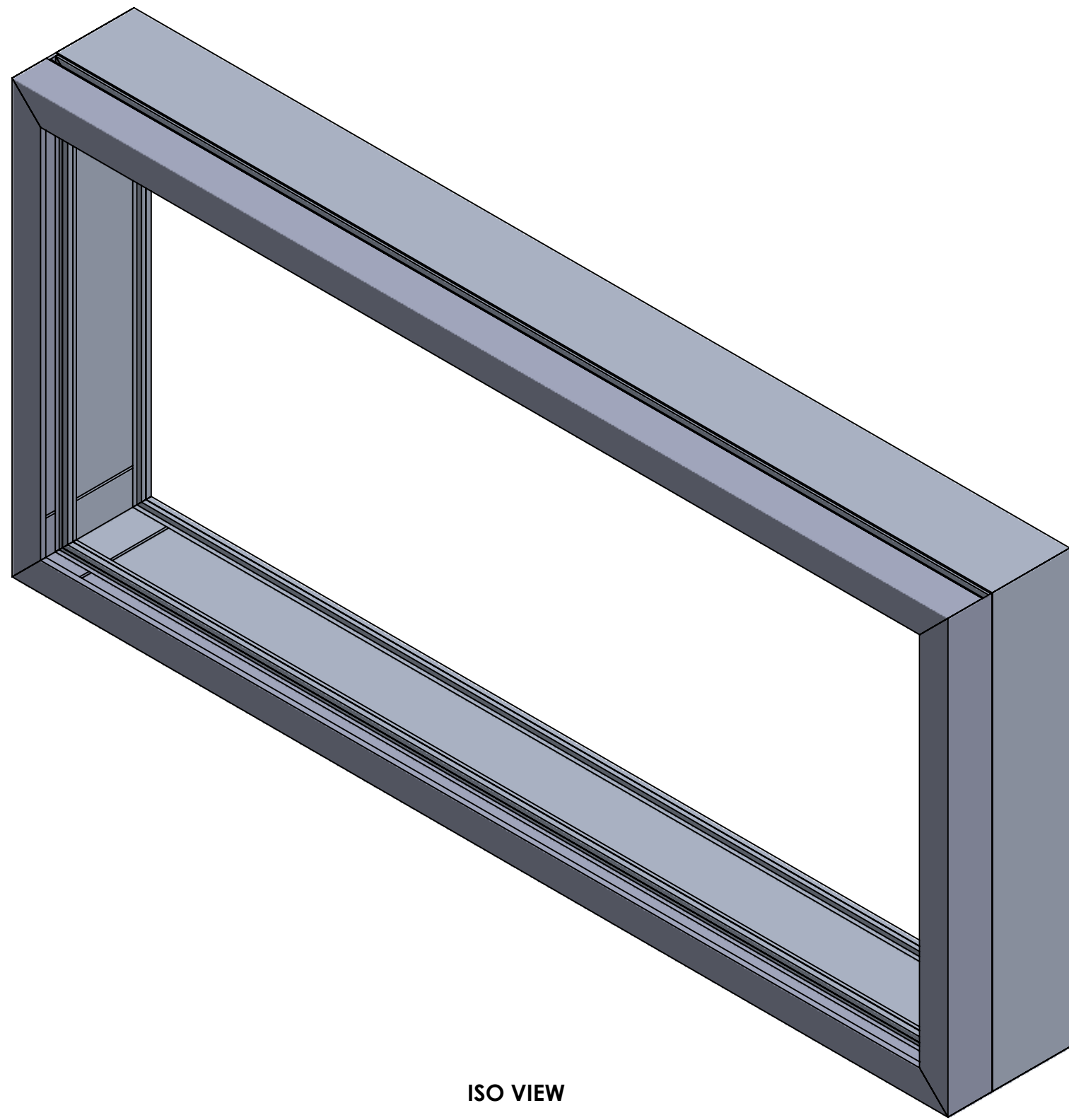
C

B

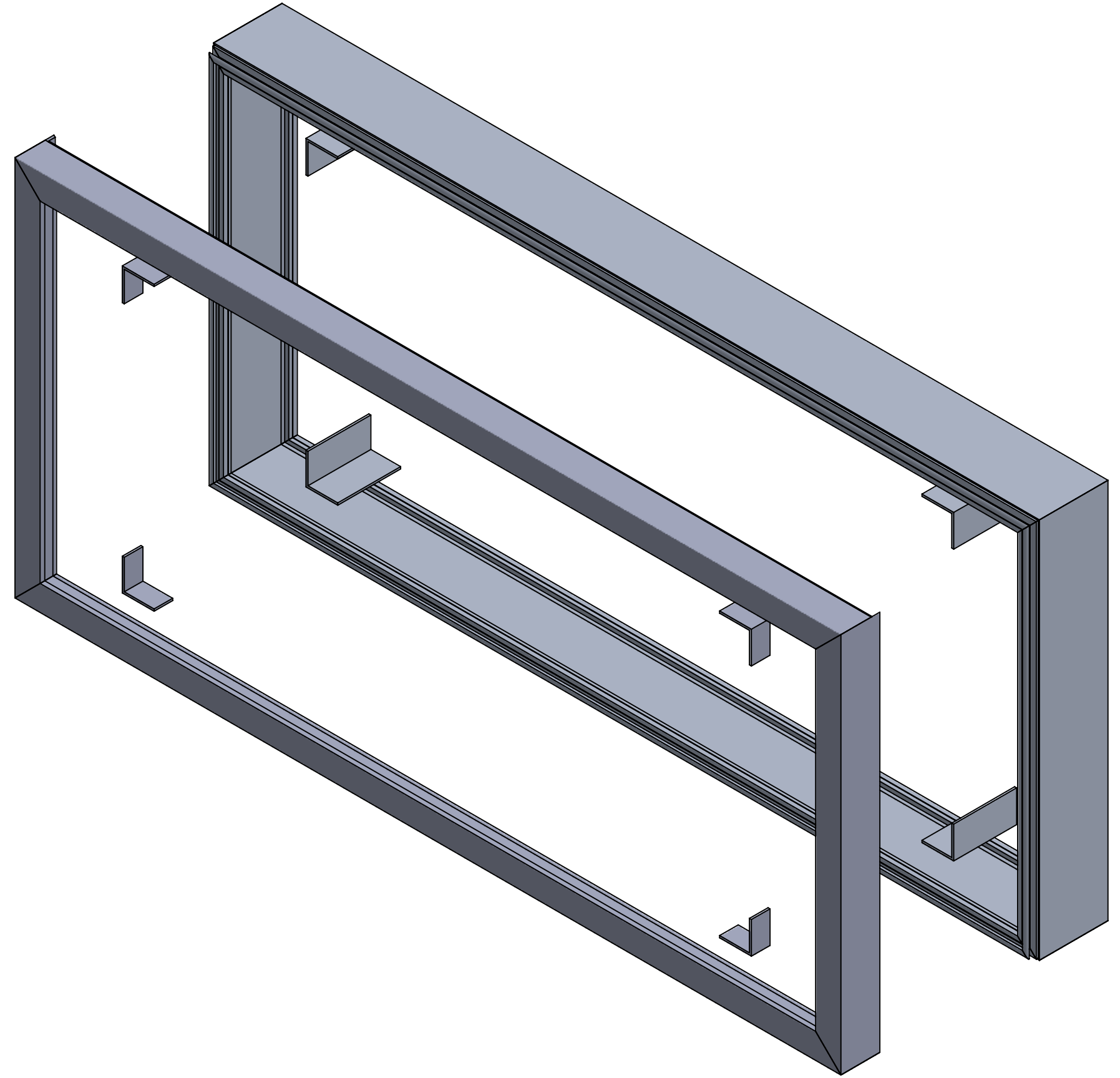
B

A


A



ISO VIEW



ISO VIEW (EXPLODED)

<b>EXCELLART SIGN PRODUCTS, LLC.</b> 1654 S. LONE ELM RD. OLATHE, KS 66061 (800) 627-9044 SALES@EXCELLART.COM WWW.EXCELLART.COM		UNLESS OTHERWISE SPECIFIED: DIMENSIONS ARE IN INCHES TOLERANCES FRAC = ± 1/32" X.XX = ± 0.03 X.XXX = ± 0.010 ANGULAR: MACH ± 1 BEND ± 2		ASSEMBLY ID: <b>ESPH-SF-XWSF</b>	
 <p>THE INFORMATION CONTAINED IN THIS DRAWING IS THE SOLE PROPERTY OF EXCELLART SIGN PRODUCTS, LLC. ANY REPRODUCTION IN PART OR AS A WHOLE WITHOUT THE WRITTEN PERMISSION OF EXCELLART SIGN PRODUCTS, LLC IS PROHIBITED.</p>		PROPRIETARY AND CONFIDENTIAL		DESCRIPTION: <b>ESP-SF HINGED W. XW RETAINER</b>	
		DRAWN BY: EXCELLART		APPROVED BY:	
SIZE	Weight: <b>53.41</b> (lbs)	REV			
<b>C</b>	Perimeter Length: <b>19 (ft)</b>	-			
SCALE: 1:8		1/8/2024	SHEET 1 OF 3		

4

3

2

1

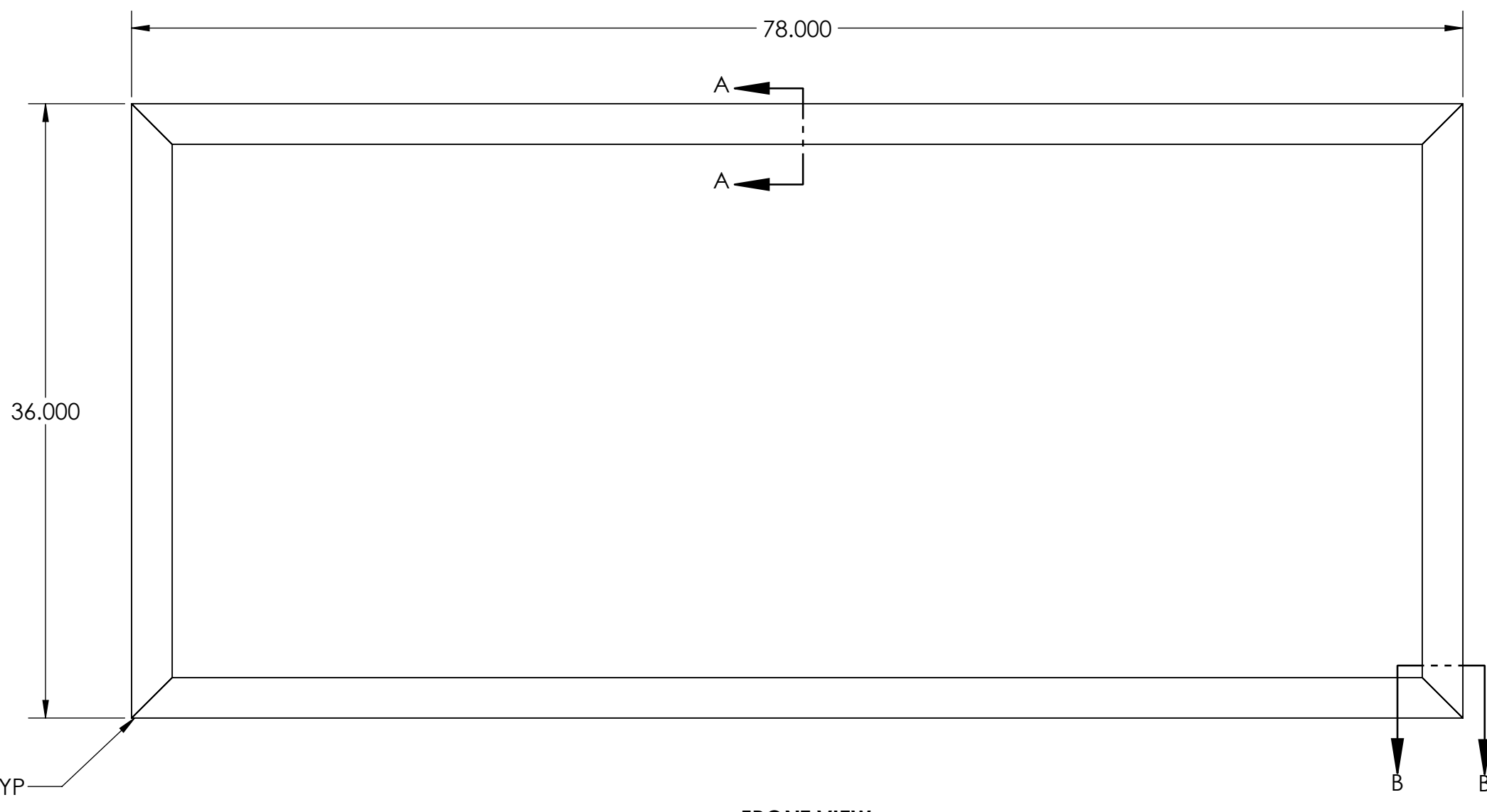
4

3

2

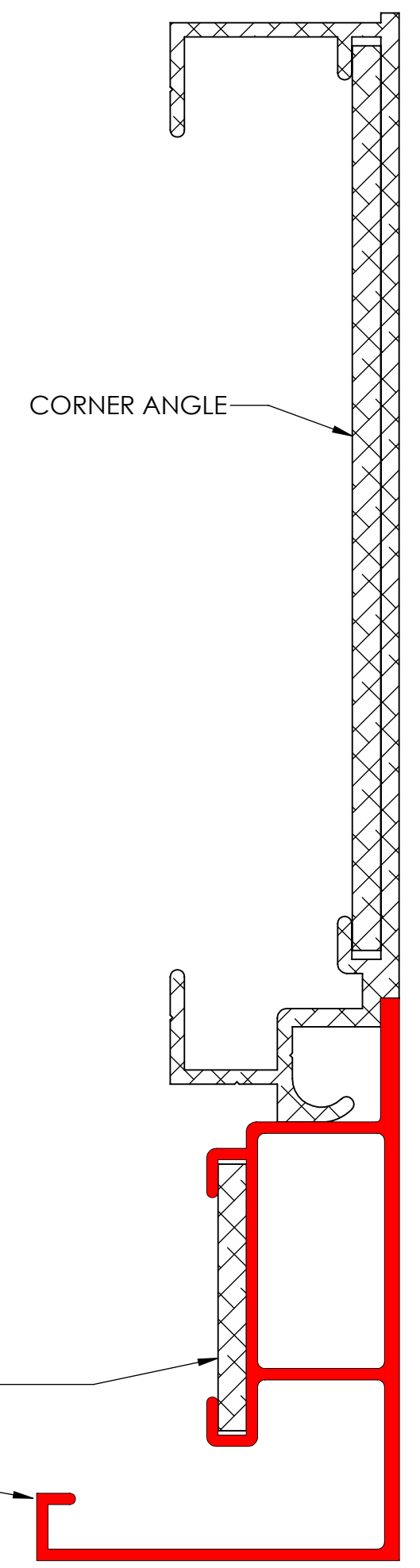
1

DIMS



Mitered Corners, TYP

FRONT VIEW

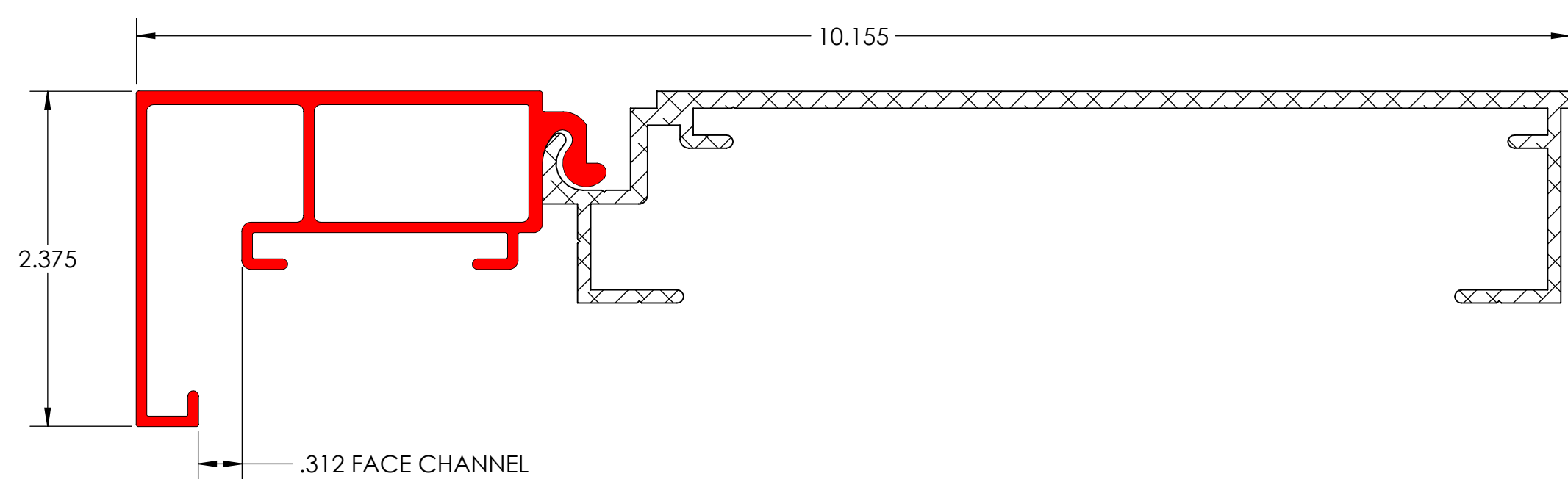


CORNER ANGLE

GUSSET

XW RETAINER

SECTION B-B  
ESP-HINGED FRAME WITH XW RETAINER  
SCALE 1 : 1



SECTION A-A  
ESP-SF HINGED FRAME WITH ESP-XW HINGED RETAINER  
SCALE 1 : 1

<b>EXCELLART SIGN PRODUCTS, LLC.</b> 1654 S. LONE ELM RD. OLATHE, KS 66061 (800) 627-9044 SALES@EXCELLART.COM WWW.EXCELLART.COM	UNLESS OTHERWISE SPECIFIED: DIMENSIONS ARE IN INCHES TOLERANCES FRAC = ± 1/32" X.XX = ± 0.03 X.XXX = ± 0.010 ANGULAR: MACH ± 1 BEND ± 2	ASSEMBLY ID: <b>ESPH-SF-XWSF</b>	
		DESCRIPTION: <b>ESP-SF HINGED W. XW RETAINER</b>	
THE INFORMATION CONTAINED IN THIS DRAWING IS THE SOLE PROPERTY OF EXCELLART SIGN PRODUCTS, LLC. ANY REPRODUCTION IN PART OR AS A WHOLE WITHOUT THE WRITTEN PERMISSION OF EXCELLART SIGN PRODUCTS, LLC IS PROHIBITED.	DRAWN BY: <b>EXCELLART</b>	APPROVED BY:	
	SIZE <b>C</b>	Weight: <b>53.41</b> (lbs)	REV -
	SCALE: 1:8	1/8/2024	SHEET 2 OF 3



4

3

2

1

A

A

4

3

2

1


BOM

ITEM NO.	PART NUMBER	DESCRIPTION	MATERIAL	QTY.
1	ESP1280466	ESP-SF HINGED FRAME	6063-T6	1
2	ESP1280204	ESP-XW HINGED RETAINER	6063-T6	1
3	ESP1280203	ESP-XW RETAINER	6063-T6	1
4	ESP1280139	5 15/16" X 3" X 3" X 3/16" ANGLE	6063-T6	4
5	ESP1280307	1 3/4" X 3" X 3" X 3/16" GUSSET	6063-T6	4

NOTES:

- 1) ESP-SF HINGED KIT CONSISTS OF QTY (3) ESP-SF FRAME PIECES, QTY (1) ESP-SF HINGED FRAME PIECE, QTY (4) CORNER ANGLES, QTY (3) ESP-XW RETAINER PIECES, QTY (1) ESP-XW HINGED RETAINER PIECE , AND QTY (4) RETAINER GUSSETS
- 2) ANGLES ARE USED TO GUIDE FRAME PIECES INTO POSITION
- 3) GUSSETS ARE USED TO GUIDE RETAINER PIECES INTO POSITION (IF APPLICABLE)
- 4) HINGED FRAME SECTION AND HINGED RETAINERS SHOWN TO BE ON TOP OF SIGN CABINET (IF APPLICABLE)
- 5) SELF DRILLING SCREWS / RIVETS / LOCK CYLINDERS ETC (BY OTHERS) TO SECURE RETAINERS AS NEEDED
- 6) ANGLES AND GUSSETS TYPICALLY WELDED TO FRAMING (BY OTHERS)
- 7) 6" - 8" CENTER TO CENTER SPACING RECOMMENDED FOR FLEX CLIPS
- 8) PIANO HINGES USED TO ALLOW IDS RETAINERS TO HINGE OPEN (IF APPLICABLE)
- 9) H1 / H1.5 RETAINERS ALLOW SECONDARY FACE TO BE MOUNTED BEHIND PRIMARY FACE
- 10) EXCELLART UL FILE NUMBER: E152309

ISO VIEW  
(EXPLODED)

<b>EXCELLART SIGN PRODUCTS, LLC.</b> 1654 S. LONE ELM RD. OLATHE, KS 66061 (800) 627-9044 SALES@EXCELLART.COM WWW.EXCELLART.COM		UNLESS OTHERWISE SPECIFIED: DIMENSIONS ARE IN INCHES TOLERANCES FRAC = ± 1/32" X.XX = ± 0.03 X.XXX = ± 0.010 ANGULAR: MACH ± 1° BEND ± 2°		ASSEMBLY ID: <b>ESPH-SF-XWSF</b>	
		PROPRIETARY AND CONFIDENTIAL THE INFORMATION CONTAINED IN THIS DRAWING IS THE SOLE PROPERTY OF EXCELLART SIGN PRODUCTS, LLC. ANY REPRODUCTION IN PART OR AS A WHOLE WITHOUT THE WRITTEN PERMISSION OF EXCELLART SIGN PRODUCTS, LLC IS PROHIBITED.		DESCRIPTION: <b>ESP-SF HINGED W. XW RETAINER</b> DRAWN BY: EXCELLART APPROVED BY:	
		SIZE <b>C</b>	Weight: <b>53.41</b> (lbs) Perimeter Length: <b>19</b> (ft)	REV -	SCALE: 1:8 1/8/2024 SHEET 3 OF 3

4

3

2

1