

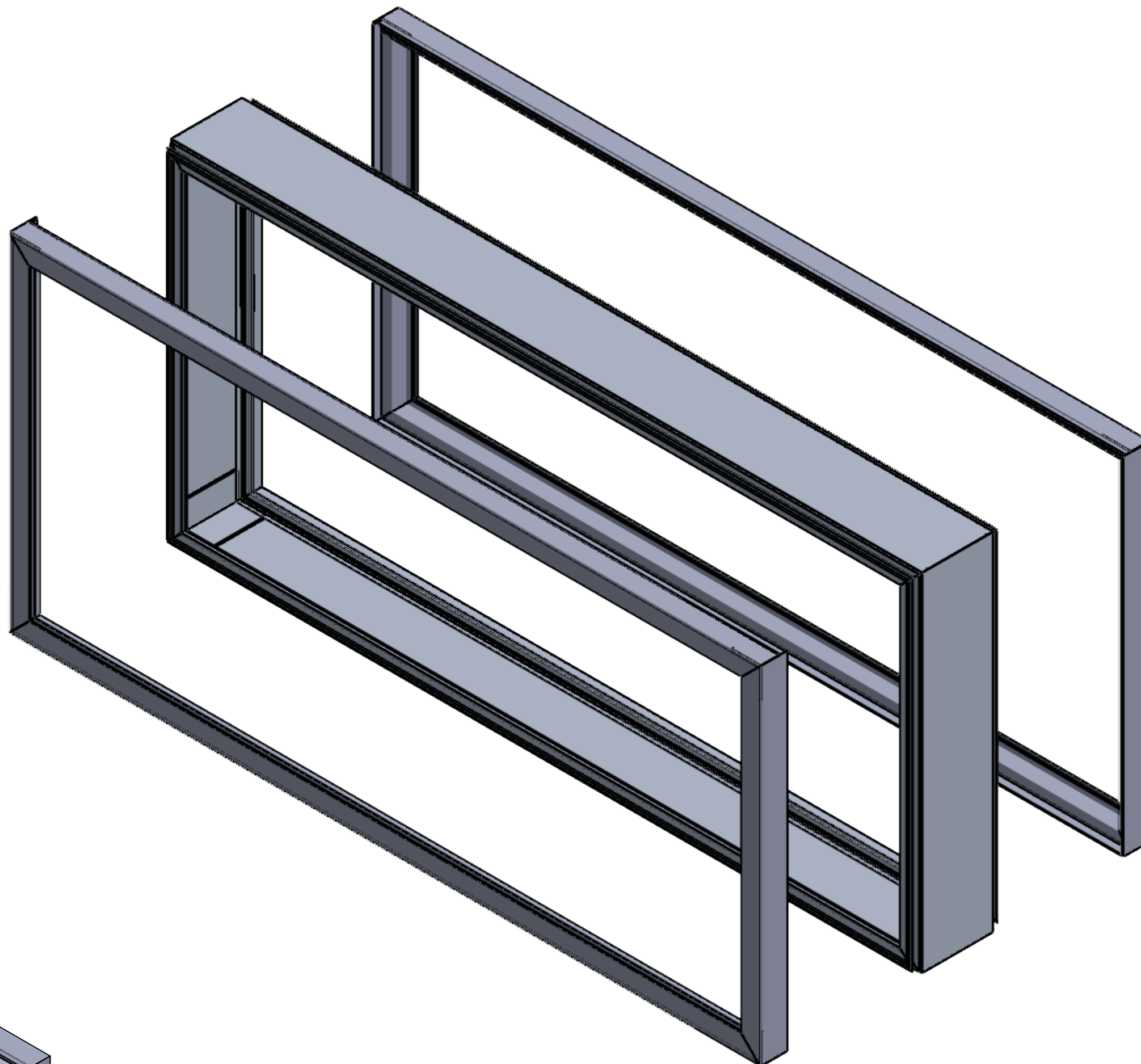
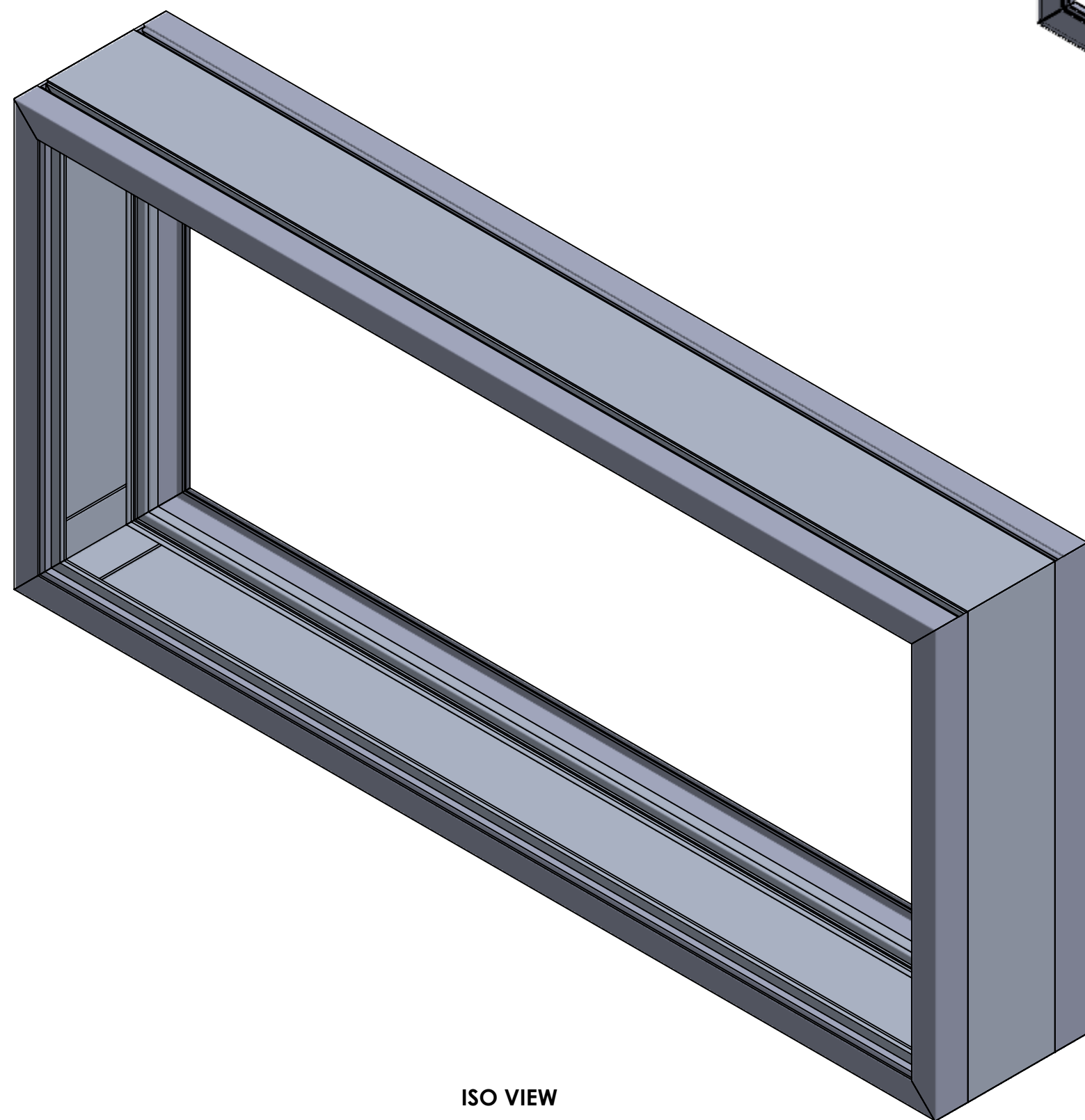
COVER

4

3

2

1



EXCELLART SIGN PRODUCTS, LLC.
 1654 S. LONE ELM RD.
 OLATHE, KS 66061
 (800) 627-9044
 SALES@EXCELLART.COM
 WWW.EXCELLART.COM



UNLESS OTHERWISE SPECIFIED:
 DIMENSIONS ARE IN INCHES
 TOLERANCES
 FRAC = ± 1/32"
 X.XX = ± 0.03
 X.XXX = ± 0.010
 ANGULAR: MACH ± 1° BEND ± 2°

PROPRIETARY AND CONFIDENTIAL
 THE INFORMATION CONTAINED IN
 THIS DRAWING IS THE SOLE
 PROPERTY OF EXCELLART SIGN
 PRODUCTS, LLC. ANY
 REPRODUCTION IN PART OR AS A
 WHOLE WITHOUT THE WRITTEN
 PERMISSION OF EXCELLART SIGN
 PRODUCTS, LLC IS PROHIBITED.

ASSEMBLY ID:
ESPS-DF-FF2DF

DESCRIPTION:
ESP-DF HINGED W. FF2 RETAINER

DRAWN BY: EXCELLART APPROVED BY:

SIZE	Weight: 16413.61 (lbs)	REV
C	Perimeter Length: 19 (ft)	-

SCALE: 1:8	12/21/2023	SHEET 1 OF 3
------------	------------	--------------

4

3

2

1

D

D

C

C

B

B

A

A

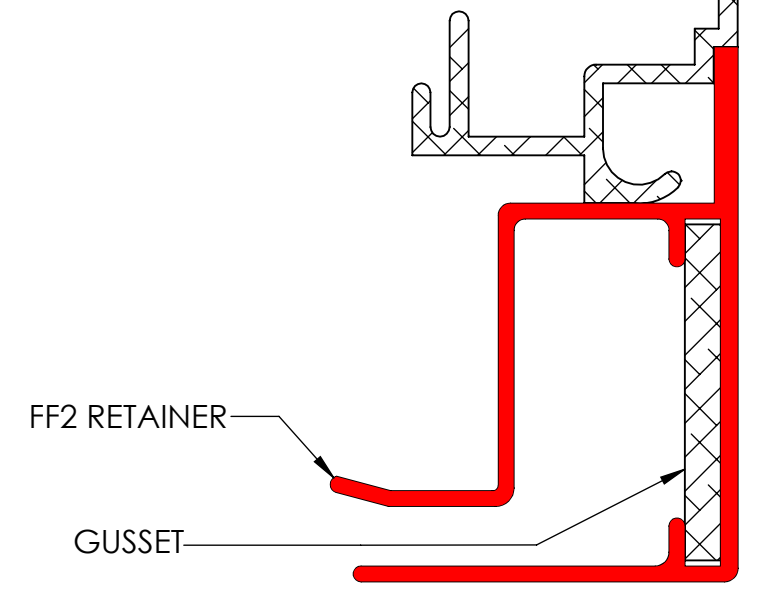
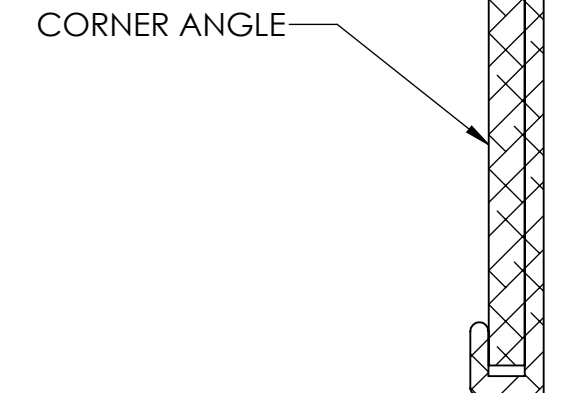
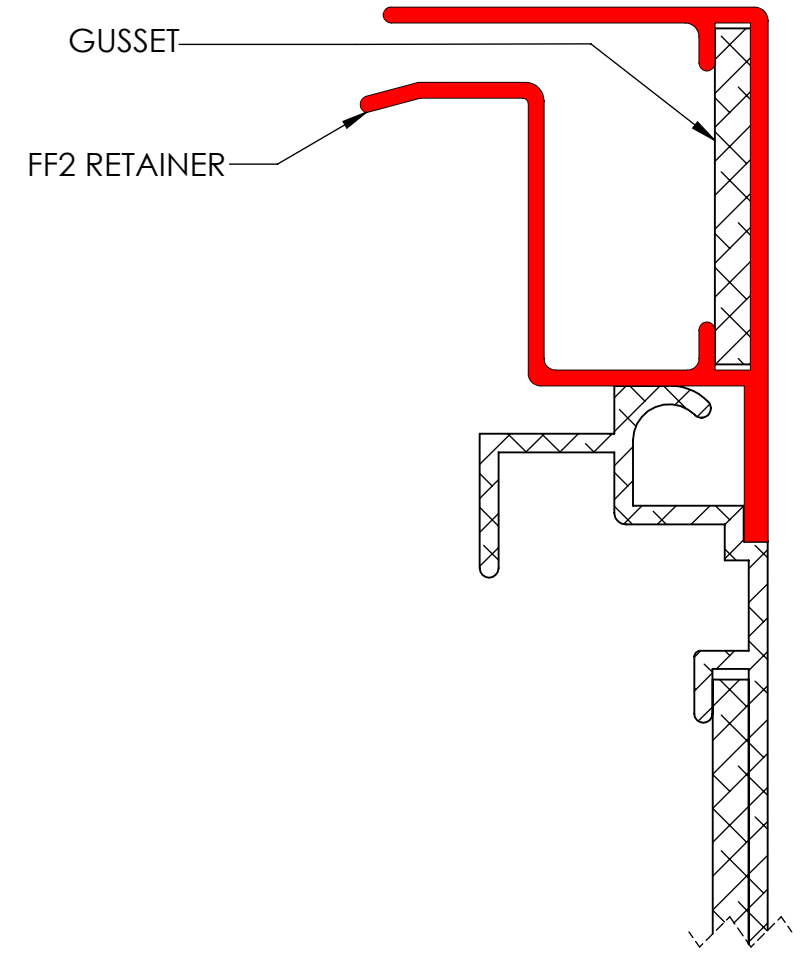
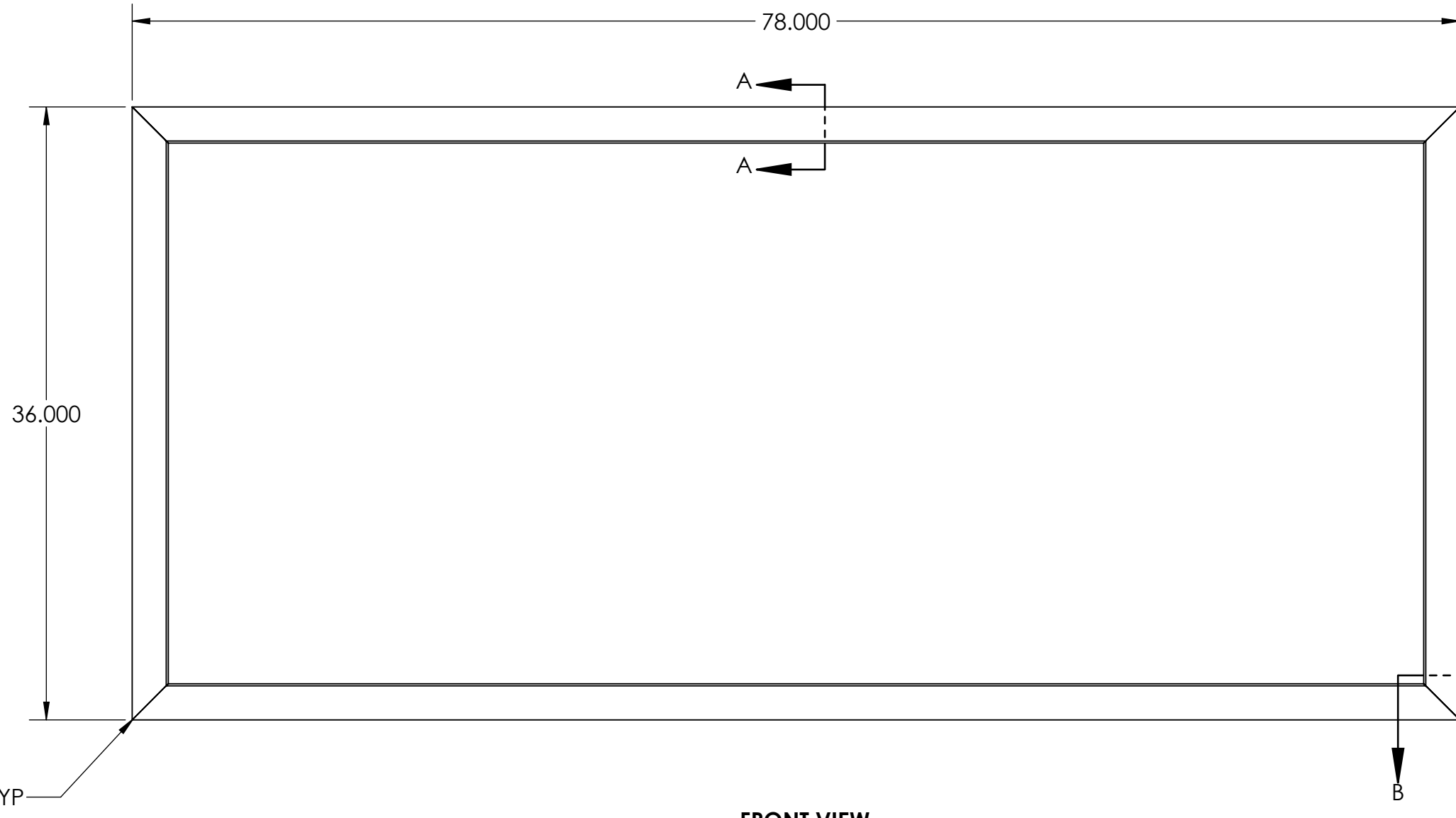
4

3

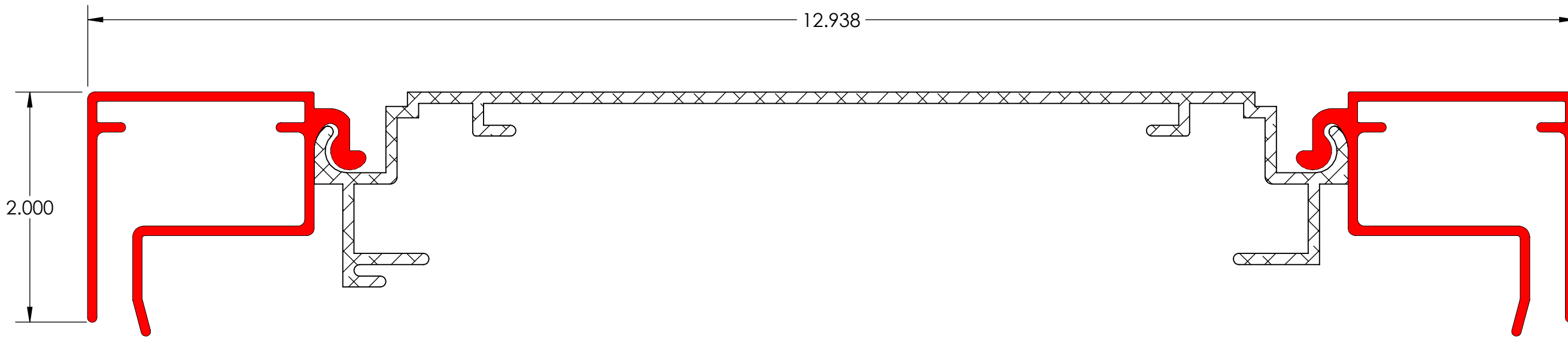
2

1

DIMS



SECTION B-B
ESP-DF HINGED FRAME WITH ESP-FF2 RETAINERS
 SCALE 1 : 1



SECTION A-A
ESP-DF HINGED FRAME WITH ESP-FF2 HINGED RETAINERS
 SCALE 1 : 1

EXCELLART SIGN PRODUCTS, LLC.
 1654 S. LONE ELM RD.
 OLATHE, KS 66061
 (800) 627-9044
 SALES@EXCELLART.COM
 WWW.EXCELLART.COM



UNLESS OTHERWISE SPECIFIED:
 DIMENSIONS ARE IN INCHES
 TOLERANCES
 FRAC = ± 1/32"
 XXX = ± 0.03
 XXXX = ± 0.010
 ANGULAR: MACH ± 1 BEND ± 2

PROPRIETARY AND CONFIDENTIAL
 THE INFORMATION CONTAINED IN
 THIS DRAWING IS THE SOLE
 PROPERTY OF EXCELLART SIGN
 PRODUCTS, LLC. ANY
 REPRODUCTION IN PART OR AS A
 WHOLE WITHOUT THE WRITTEN
 PERMISSION OF EXCELLART SIGN
 PRODUCTS, LLC IS PROHIBITED.

ASSEMBLY ID: ESPS-DF-FF2DF	
DESCRIPTION: ESP-DF HINGED W. FF2 RETAINER	
DRAWN BY: EXCELLART	APPROVED BY:
SIZE C	Weight: 16413.61 (lbs) REV
	Perimeter Length: 19 (ft) -
SCALE: 1:8	12/21/2023 SHEET 2 OF 3

4

3

2

1

A

A

4

3

2

1

BOM

ITEM NO.	PART NUMBER	DESCRIPTION	MATERIAL	QTY.
1	ESP1280465	ESP-DF HINGED FRAME	6063-T6	1
2	ESP1280294	ESP-FF2 HINGED RETAINER	6063-T6	2
3	ESP1280295	ESP-FF2 RETAINER	6063-T6	2
4	ESP1280307	1 3/4" X 3" X 3" X 3/16" GUSSET	6063-T6	8
5	ESP1280139	5 15/16" X 3" X 3" X 3/16" ANGLE	6063-T6	4

NOTES:

- 1) ESP-DF HINGED KIT CONSISTS OF QTY (3) ESP-DF FRAME PIECES, AND QTY (1) ESP-DF HINGED FRAME PIECE, QTY (4) CORNER ANGLES, QTY (6) ESP-FF2 RETAINERS, QTY (2) ESP-FF2 HINGED RETAINERS, AND QTY (8) RETAINER GUSSETS
- 2) ANGLES ARE USED TO GUIDE FRAME PIECES INTO POSITION
- 3) GUSSETS ARE USED TO GUIDE RETAINER PIECES INTO POSITION (IF APPLICABLE)
- 4) HINGED FRAME SECTION AND HINGED RETAINERS SHOWN TO BE ON TOP OF SIGN CABINET (IF APPLICABLE)
- 5) SELF DRILLING SCREWS / RIVETS / LOCK CYLINDERS ETC (BY OTHERS) TO SECURE RETAINERS AS NEEDED
- 6) ANGLES AND GUSSETS TYPICALLY WELDED TO FRAMING (BY OTHERS)
- 7) 6" - 8" CENTER TO CENTER SPACING RECOMMENDED FOR FLEX CLIPS
- 8) PIANO HINGES USED TO ALLOW IDS RETAINERS TO HINGE OPEN (IF APPLICABLE)
- 9) H1 / H1.5 RETAINERS ALLOW SECONDARY FACE TO BE MOUNTED BEHIND PRIMARY FACE
- 10) EXCELLART UL FILE NUMBER: E152309

ISO VIEW
(EXPLODED)

EXCELLART SIGN PRODUCTS, LLC.
 1654 S. LONE ELM RD.
 OLATHE, KS 66061
 (800) 627-9044
 SALES@EXCELLART.COM
 WWW.EXCELLART.COM

UNLESS OTHERWISE SPECIFIED:
 DIMENSIONS ARE IN INCHES
 TOLERANCES
 FRAC = ± 1/32"
 X.XX = ± 0.03
 X.XXX = ± 0.010
 ANGULAR: MACH ± 1° BEND ± 2°

PROPRIETARY AND CONFIDENTIAL
 THE INFORMATION CONTAINED IN
 THIS DRAWING IS THE SOLE
 PROPERTY OF EXCELLART SIGN
 PRODUCTS, LLC. ANY
 REPRODUCTION IN PART OR AS A
 WHOLE WITHOUT THE WRITTEN
 PERMISSION OF EXCELLART SIGN
 PRODUCTS, LLC IS PROHIBITED.

ASSEMBLY ID: ESPS-DF-FF2DF	
DESCRIPTION: ESP-DF HINGED W. FF2 RETAINER	
DRAWN BY: EXCELLART	APPROVED BY:
SIZE C	Weight: 16413.61 (lbs) REV
	Perimeter Length: 19 (ft) -
SCALE: 1:8	12/21/2023 SHEET 3 OF 3

4

3

2

1

A