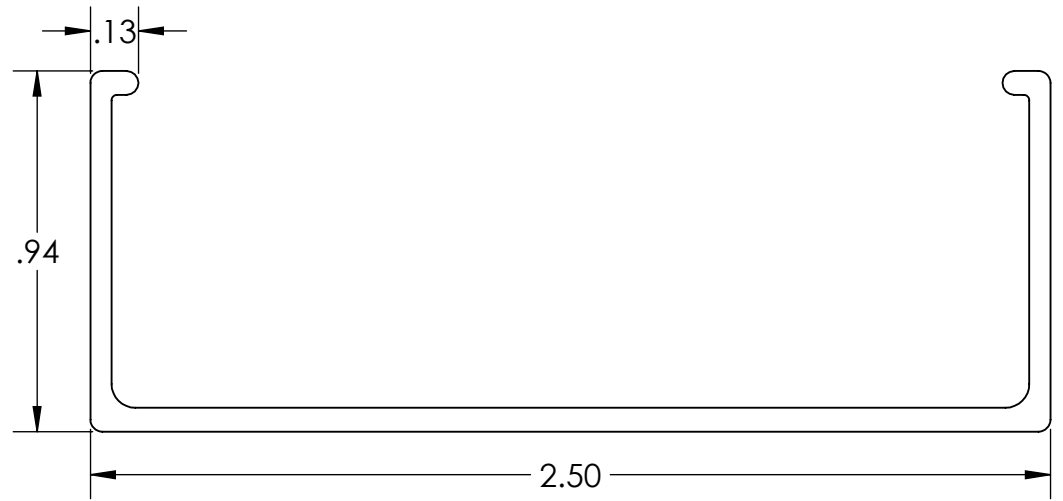


2

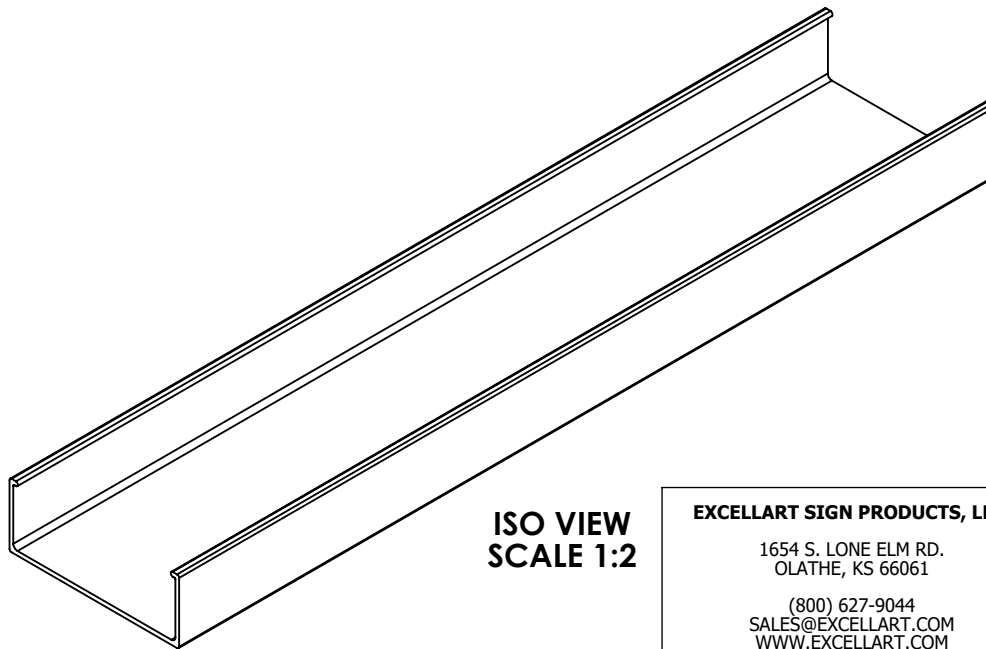
1

NOTES:

- 1) TYP WALL THICKNESS = 0.062" EXCEPT AS NOTED
- 2) 1' LENGTH SHOWN FOR WEIGHT CALCULATIONS



PROFILE VIEW



ISO VIEW  
SCALE 1:2

EXCELLART SIGN PRODUCTS, LLC.

1654 S. LONE ELM RD.  
OLATHE, KS 66061

(800) 627-9044  
SALES@EXCELLART.COM  
WWW.EXCELLART.COM



UNLESS OTHERWISE SPECIFIED:

DIMENSIONS ARE IN INCHES  
TOLERANCES  
 FRAC = ±1/32"  
 X.XX = ±0.03  
 X.XXX = ±0.010  
 ANGULAR: MACH±1 BEND ±2

PROPRIETARY AND CONFIDENTIAL

THE INFORMATION CONTAINED IN THIS DRAWING IS THE SOLE PROPERTY OF EXCELLART SIGN PRODUCTS, LLC. ANY REPRODUCTION IN PART OR AS A WHOLE WITHOUT THE WRITTEN PERMISSION OF EXCELLART SIGN PRODUCTS, LLC IS PROHIBITED.

TITLE:  
ESP-IDS 8 RACEWAY

DESCRIPTION:  
ESP1280905

MATERIAL:  
6063-T6

DRAWN BY:  
EXCELLART

APPROVED BY:

SIZE	Weight: <b>0.30</b> pound(s) per foot	REV
<b>A</b>		-

SCALE: 2:1

2/19/2024

SHEET 1 OF 1

B

B

A

A

2

1