

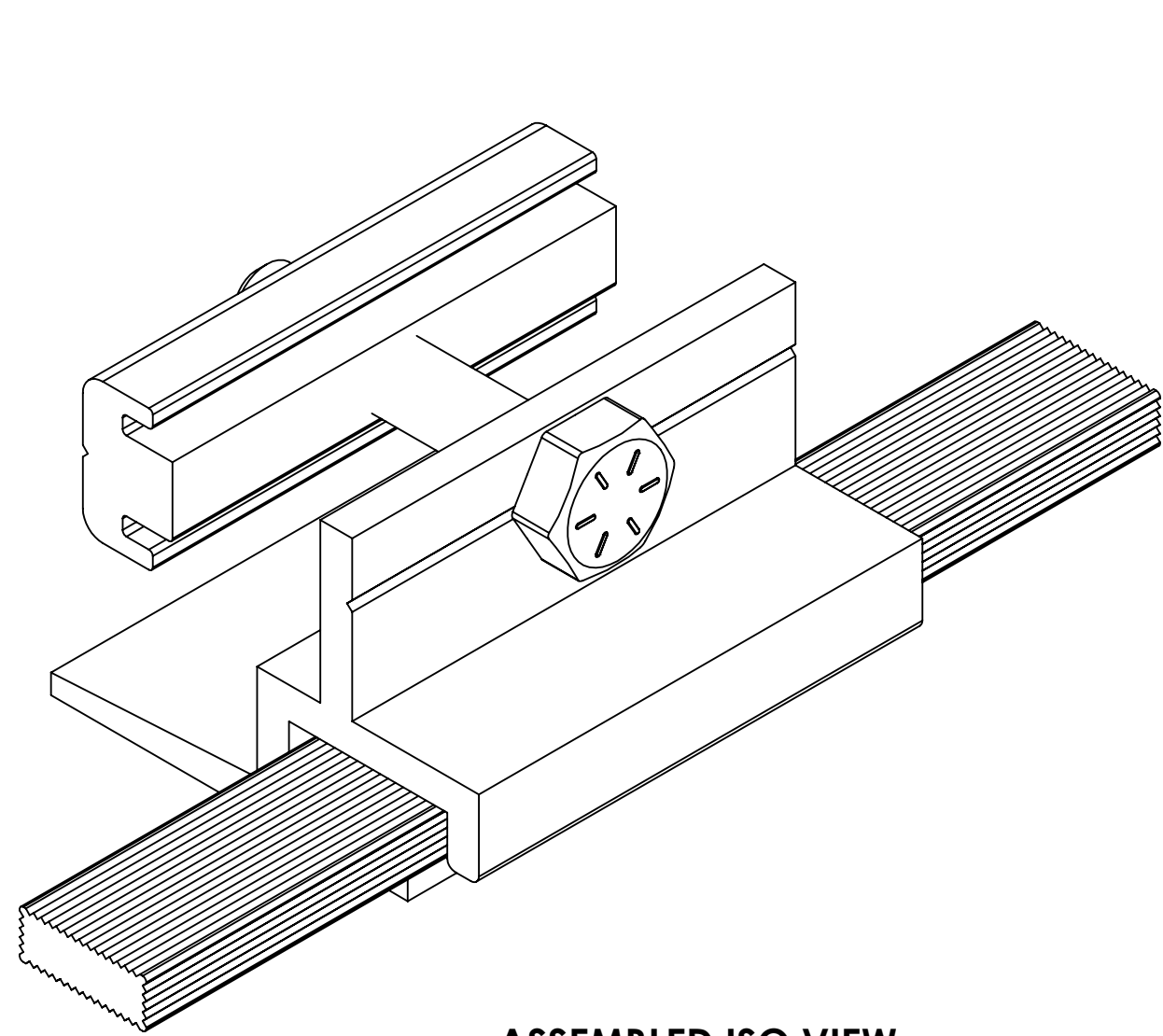
4

3

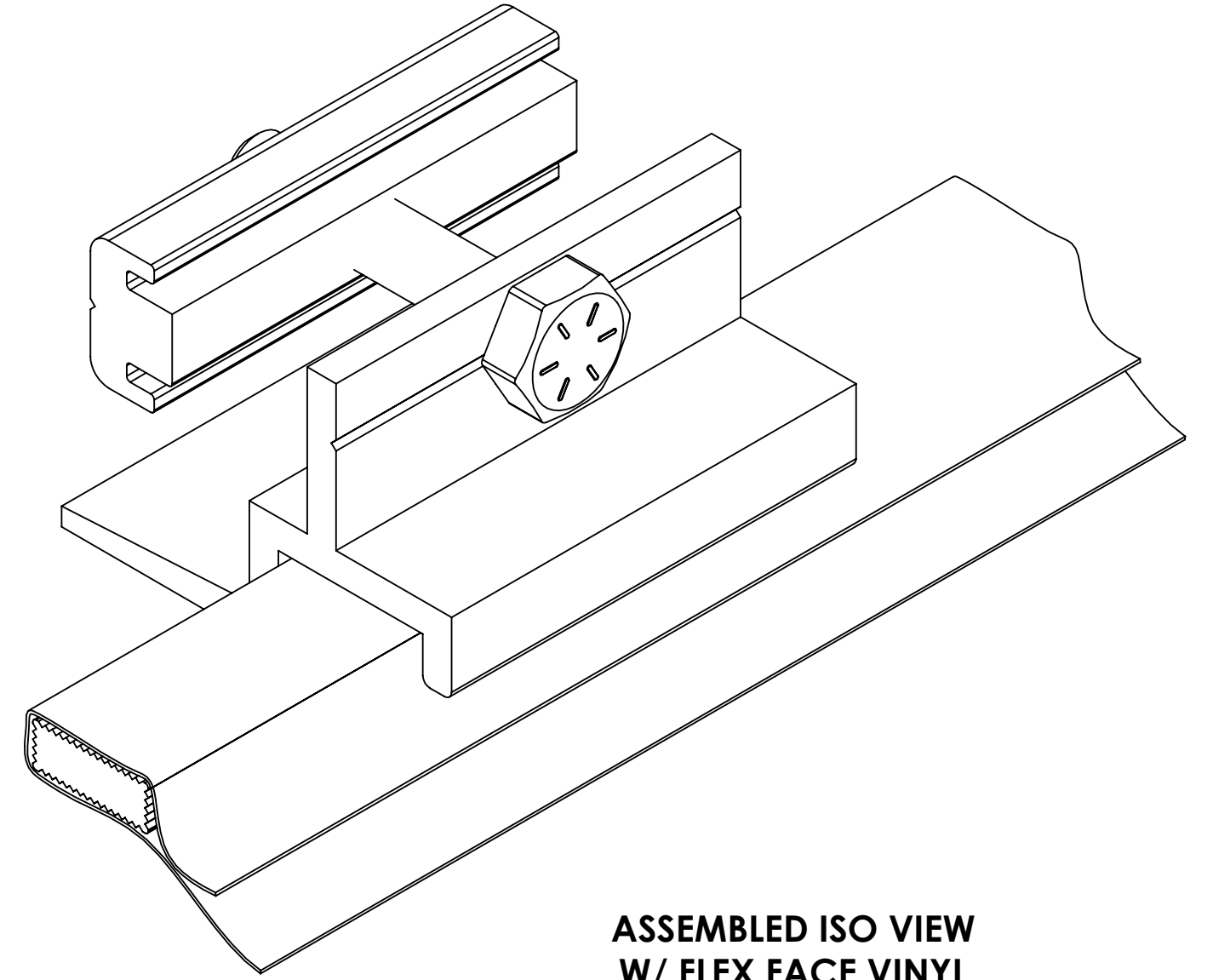
2

1

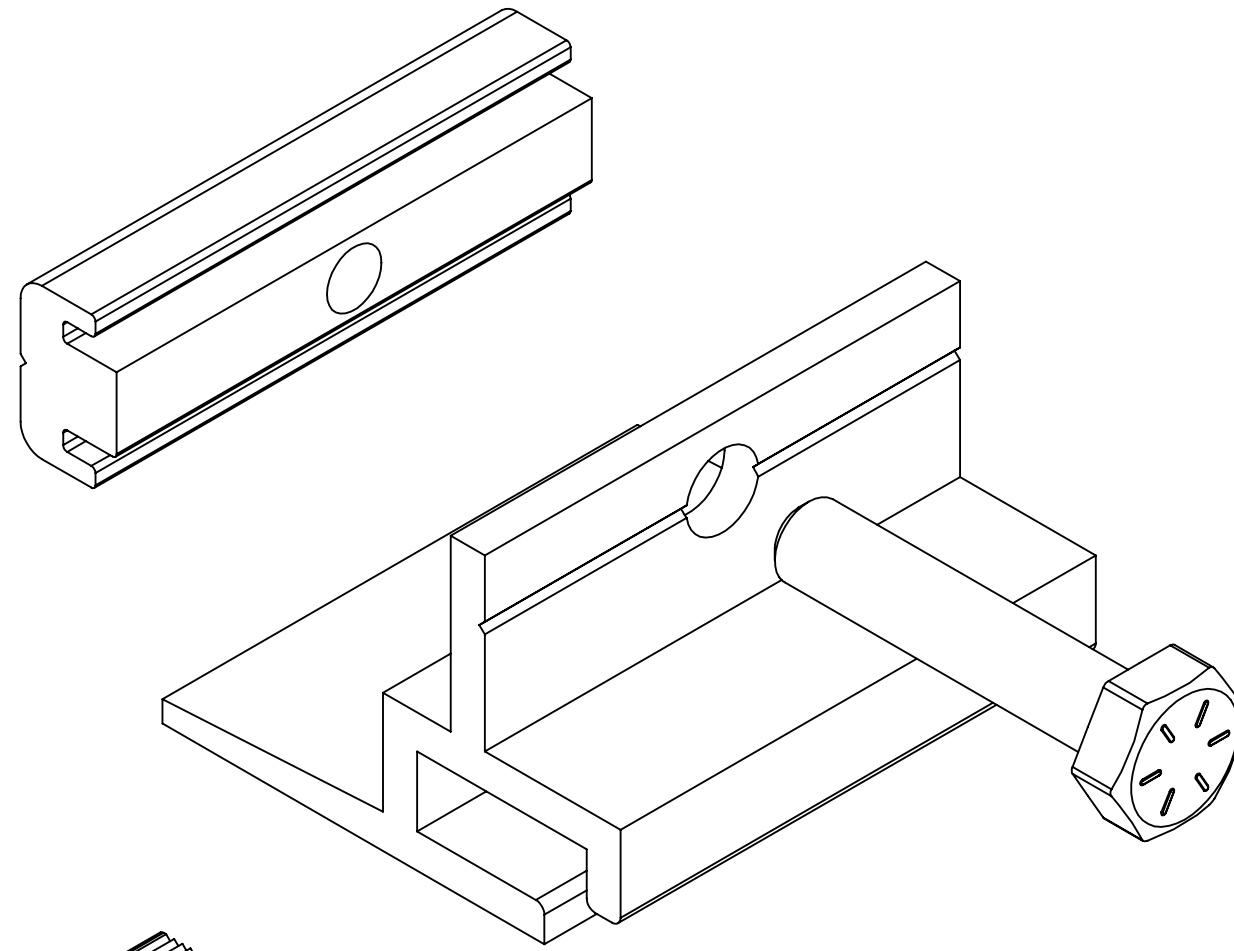
COVER



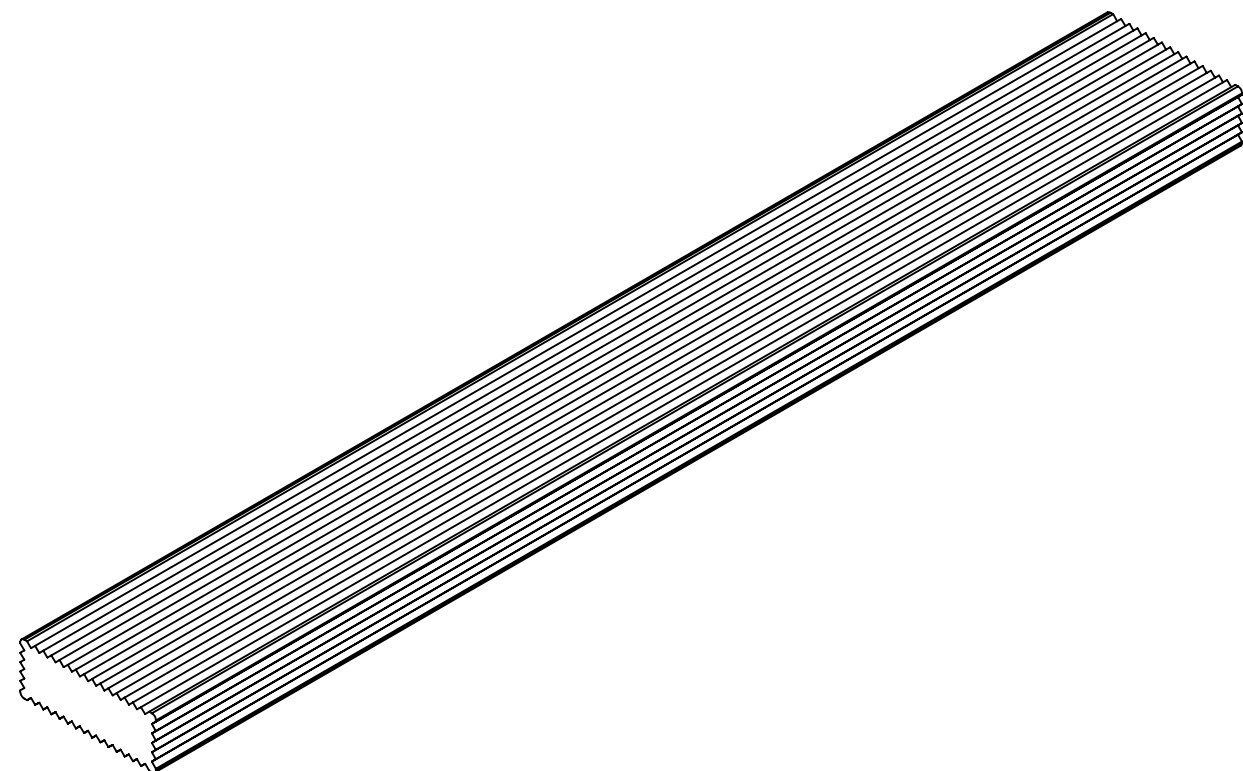
ASSEMBLED ISO VIEW



ASSEMBLED ISO VIEW  
W/ FLEX FACE VINYL



EXPLODED ISO VIEW



**EXCELLART SIGN PRODUCTS, LLC.**  
 1654 S. LONE ELM RD.  
 OLATHE, KS 66061  
 (800) 627-9044  
 SALES@EXCELLART.COM  
 WWW.EXCELLART.COM



UNLESS OTHERWISE SPECIFIED:  
 DIMENSIONS ARE IN INCHES  
 TOLERANCES  
 FRAC = ± 1/32"  
 X.XX = ±0.03  
 X.XXX = ±0.010  
 ANGULAR: MACH ±1 BEND ±2

**PROPRIETARY AND CONFIDENTIAL**  
 THE INFORMATION CONTAINED IN  
 THIS DRAWING IS THE SOLE  
 PROPERTY OF EXCELLART SIGN  
 PRODUCTS, LLC. ANY  
 REPRODUCTION IN PART OR AS A  
 WHOLE WITHOUT THE WRITTEN  
 PERMISSION OF EXCELLART SIGN  
 PRODUCTS, LLC IS PROHIBITED.

TITLE: <b>ESP-FLEX CLIP SYSTEM</b>		
DESCRIPTION: <b>FLEX CLIP SYSTEM</b>		
MATERIAL: Material <not specified>		
DRAWN BY: <b>EXCELLART</b>		APPROVED BY:
SIZE <b>C</b>	WEIGHT: 0.129 (lbs)	REV -
SCALE: 2:1	12/22/2023 SHEET 1 OF 3	

4

3

2

1

D

D

C

C

B

B

A

A

4

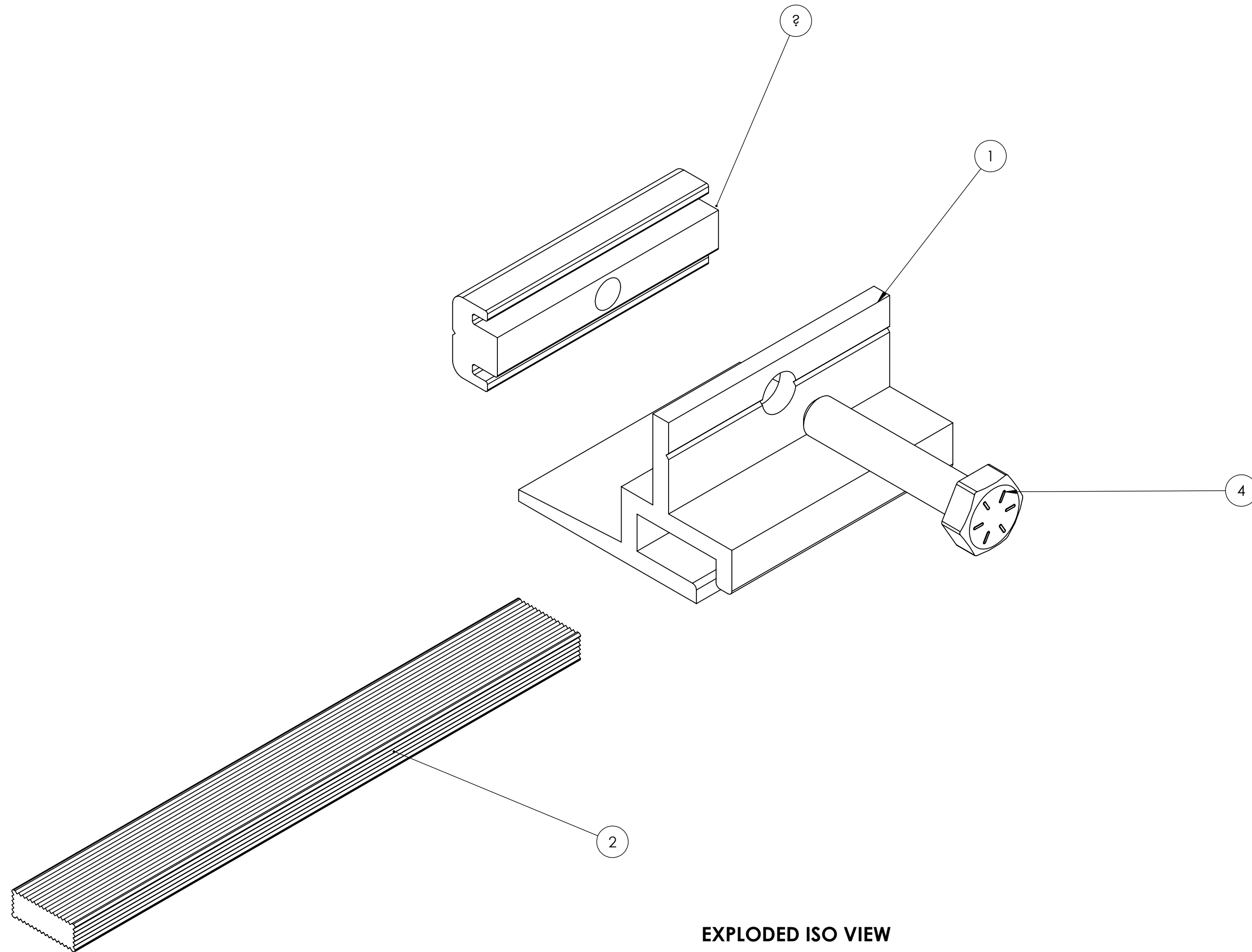
3

2


1

BOM

ITEM NO.	PART NUMBER	DESCRIPTION	QTY.
1	ESP-FLEX CLIP BAR RETAINER	ESP1280408	1
2	ESP-FLEX CLIP BAR	ESP1280406	1
3	ESP-FLEX CLIP CLEAT		1
4	MMC#92620A544	1/4"-20 X 1.25" STEEL HEX HEAD SCEW, ZP	1



EXPLODED ISO VIEW

<b>EXCELLART SIGN PRODUCTS, LLC.</b> 1654 S. LONE ELM RD. OLATHE, KS 66061 (800) 627-9044 SALES@EXCELLART.COM WWW.EXCELLART.COM	UNLESS OTHERWISE SPECIFIED: DIMENSIONS ARE IN INCHES TOLERANCES FRAC = ± 1/32" X.XX = ±0.03 X.XXX = ±0.010 ANGULAR: MACH±1 BEND ±2	TITLE: <b>ESP-FLEX CLIP SYSTEM</b>		
	<b>PROPRIETARY AND CONFIDENTIAL</b> THE INFORMATION CONTAINED IN THIS DRAWING IS THE SOLE PROPERTY OF EXCELLART SIGN PRODUCTS, LLC. ANY REPRODUCTION IN PART OR AS A WHOLE WITHOUT THE WRITTEN PERMISSION OF EXCELLART SIGN PRODUCTS, LLC IS PROHIBITED.	DESCRIPTION: <b>FLEX CLIP SYSTEM</b>		APPROVED BY:
		MATERIAL: Material <not specified>		DRAWN BY: <b>EXCELLART</b>
	SIZE <b>C</b>	WEIGHT: 0.129 (lbs)	REV -	SCALE: 1:12 12/22/2023 SHEET 2 OF 3

4

3

2

1

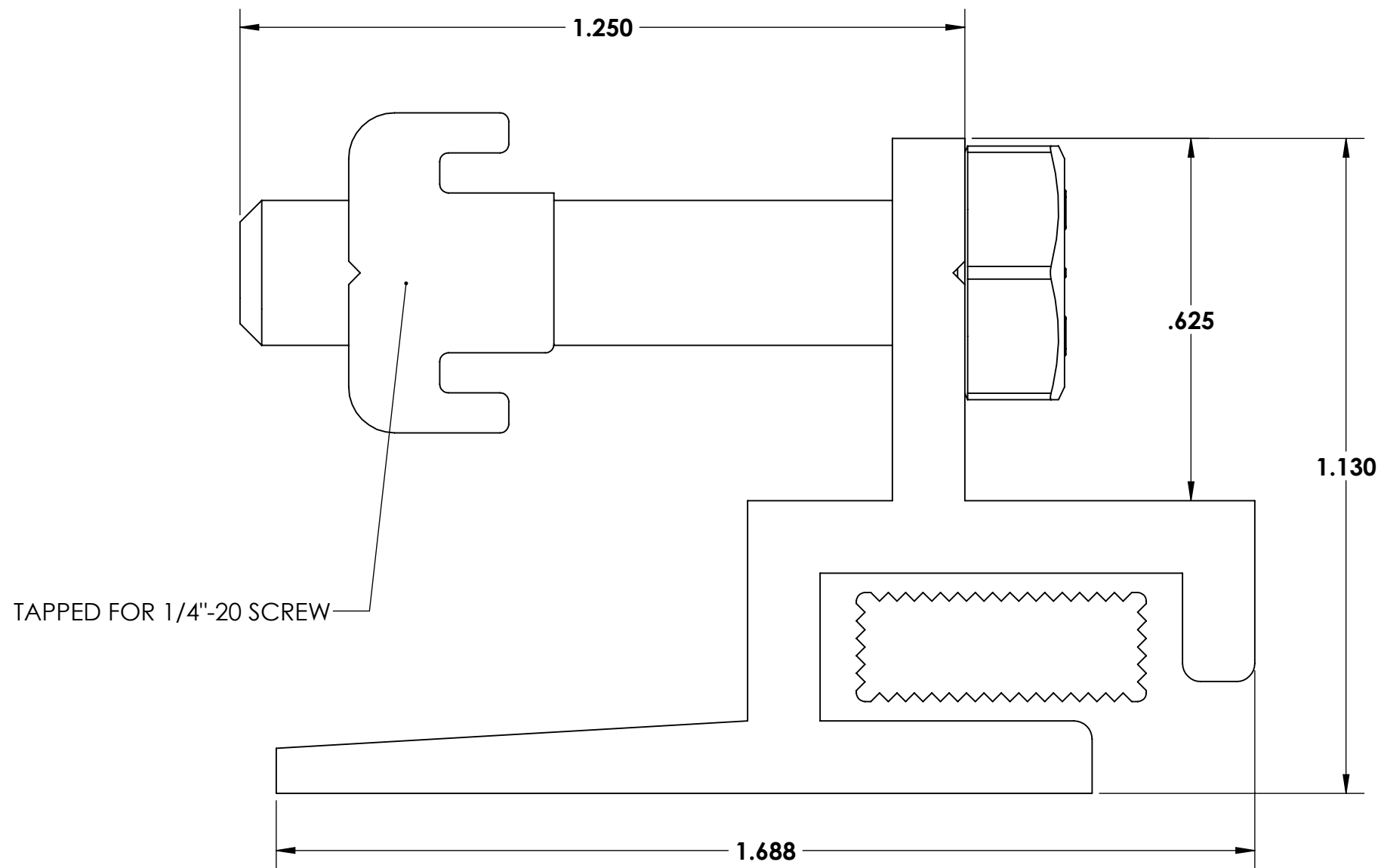
4

3

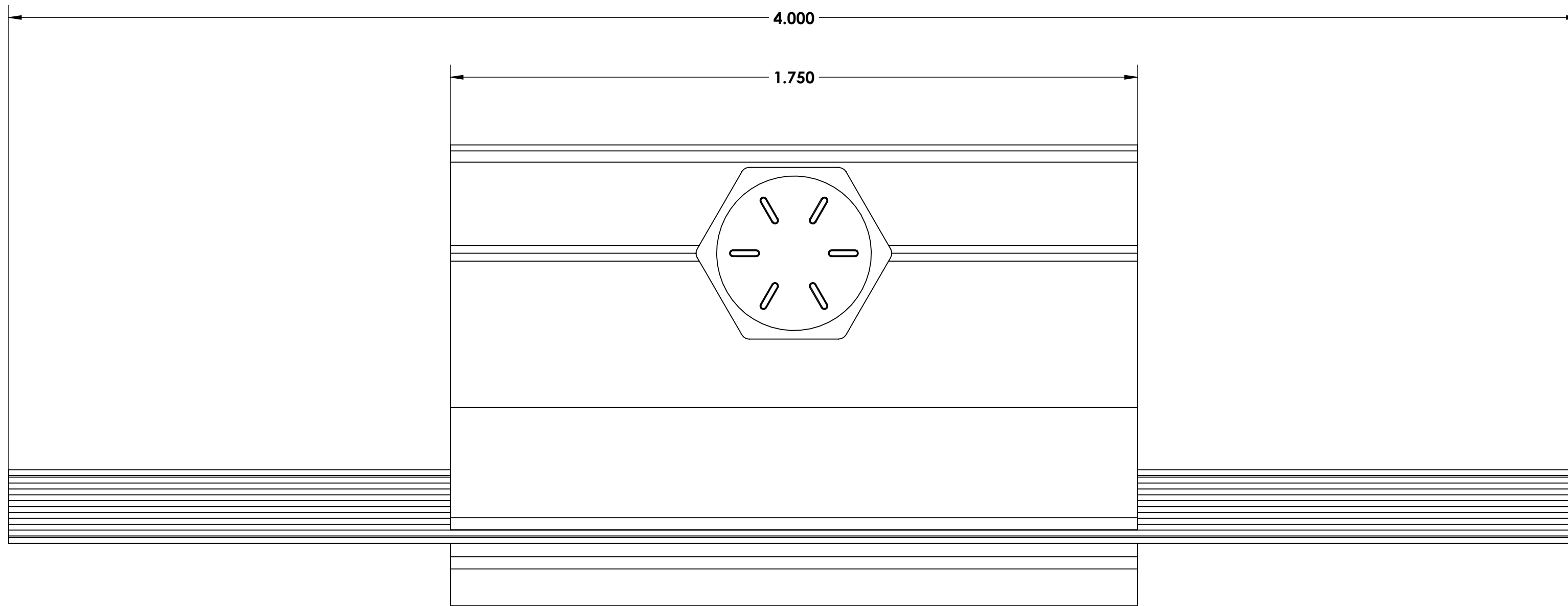
2

1

DIMS



FRONT VIEW



RIGHT VIEW

**EXCELLART SIGN PRODUCTS, LLC.**  
 1654 S. LONE ELM RD.  
 OLATHE, KS 66061  
 (800) 627-9044  
 SALES@EXCELLART.COM  
 WWW.EXCELLART.COM



UNLESS OTHERWISE SPECIFIED:  
 DIMENSIONS ARE IN INCHES  
 TOLERANCES  
 FRAC = ± 1/32"  
 X.XX = ± 0.03  
 X.XXX = ± 0.010  
 ANGULAR: MACH ± 1 BEND ± 2

**PROPRIETARY AND CONFIDENTIAL**  
 THE INFORMATION CONTAINED IN THIS DRAWING IS THE SOLE PROPERTY OF EXCELLART SIGN PRODUCTS, LLC. ANY REPRODUCTION IN PART OR AS A WHOLE WITHOUT THE WRITTEN PERMISSION OF EXCELLART SIGN PRODUCTS, LLC IS PROHIBITED.

TITLE: ESP-FLEX CLIP SYSTEM

DESCRIPTION: FLEX CLIP SYSTEM

MATERIAL: Material <not specified>

DRAWN BY: EXCELLART

APPROVED BY:

SIZE	WEIGHT: 0.129 (lbs)	REV
<b>C</b>		-

SCALE: 4:1 12/22/2023 SHEET 3 OF 3

4

3

2

1

D

D

C

C

B

B

A

A