

2

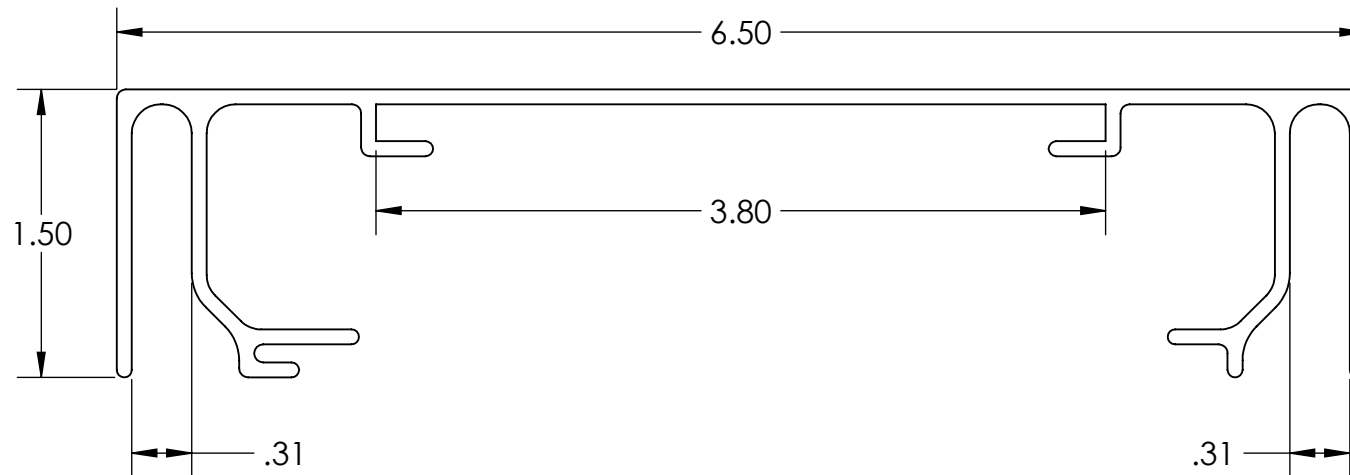
1

NOTES:

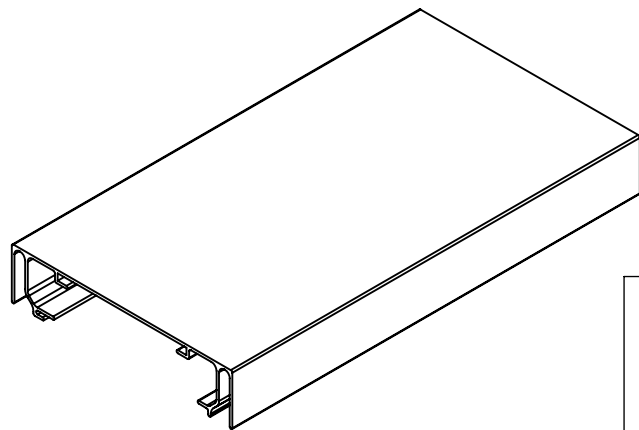
- 1) TYP WALL THICKNESS = 0.08" EXCEPT AS NOTED
- 2) 1' LENGTH SHOWN FOR WEIGHT CALCULATIONS

B

B




PROFILE VIEW



ISO VIEW  
SCALE 1:4

A

A

<b>EXCELLART SIGN PRODUCTS, LLC.</b> 1654 S. LONE ELM RD. OLATHE, KS 66061 (800) 627-9044 SALES@EXCELLART.COM WWW.EXCELLART.COM		UNLESS OTHERWISE SPECIFIED:		TITLE: <b>ESP-6R FRAME</b>		
		DIMENSIONS ARE IN INCHES <u>TOLERANCES</u> FRAC = ±1/32" X.XX = ±0.03 X.XXX = ±0.010 ANGULAR: MACH±1 BEND ±2		DESCRIPTION: <b>ESP1280128</b>		
		<b>PROPRIETARY AND CONFIDENTIAL</b> THE INFORMATION CONTAINED IN THIS DRAWING IS THE SOLE PROPERTY OF EXCELLART SIGN PRODUCTS, LLC. ANY REPRODUCTION IN PART OR AS A WHOLE WITHOUT THE WRITTEN PERMISSION OF EXCELLART SIGN PRODUCTS, LLC IS PROHIBITED.		MATERIAL: <b>6063-T6</b>		
		DRAWN BY: <b>EXCELLART</b>	APPROVED BY:		REV	-
		SIZE <b>A</b>	Weight: <b>1.37</b> pound(s) per foot			
		SCALE: 1:1	2/19/2024		SHEET 1 OF 1	

2

1