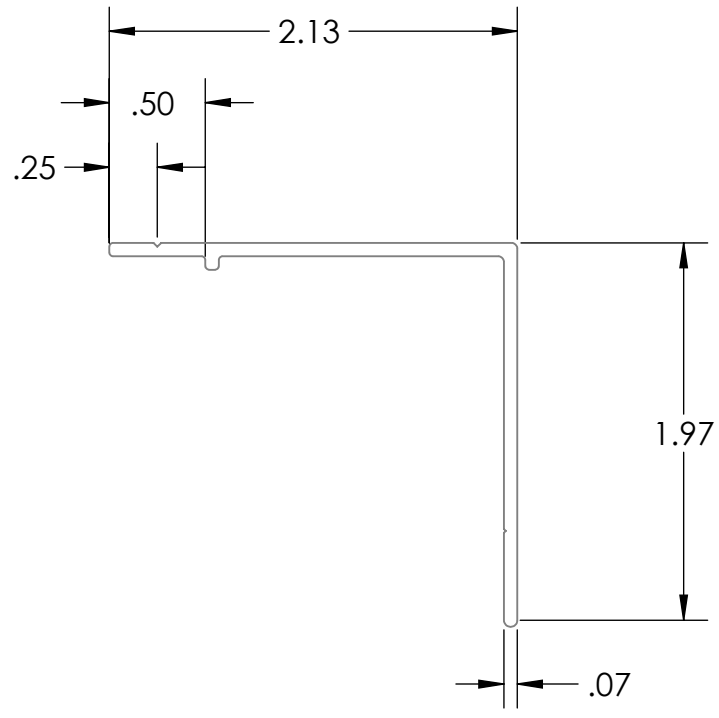


2

1

B

B



MATES WITH:

- 1280503 - FLEX RETRO FRAME

A

A

PROPRIETARY AND CONFIDENTIAL
 THE INFORMATION CONTAINED IN THIS
 DRAWING IS THE SOLE PROPERTY OF
 EXCELLART SIGN PRODUCTS, LLC. ANY
 REPRODUCTION IN PART OR AS A WHOLE
 WITHOUT THE WRITTEN PERMISSION OF
 <INSERT COMPANY NAME HERE> IS
 PROHIBITED.

EST. WT/FT	.346		UNLESS OTHERWISE SPECIFIED:		NAME	DATE
			DIMENSIONS ARE IN INCHES	DRAWN		
			TOLERANCES:	CHECKED		
			FRACTIONAL ±	ENG APPR.		
			ANGULAR: MACH ± BEND ±	MFG APPR.		
			TWO PLACE DECIMAL ±	Q.A.		
			THREE PLACE DECIMAL ±	COMMENTS:		
			INTERPRET GEOMETRIC TOLERANCING PER:			
			MATERIAL			
			6063-T6 ALUMINUM			
			FINISH			
			MILL FINISH			
NEXT ASSY		USED ON				
		APPLICATION	DO NOT SCALE DRAWING			

P/N: 1280504

TITLE:



SIZE	DWG. NO.	REV
A	FLEX RETRO TRIM	
SCALE: 1:1		SHEET 1 OF 1

2

1