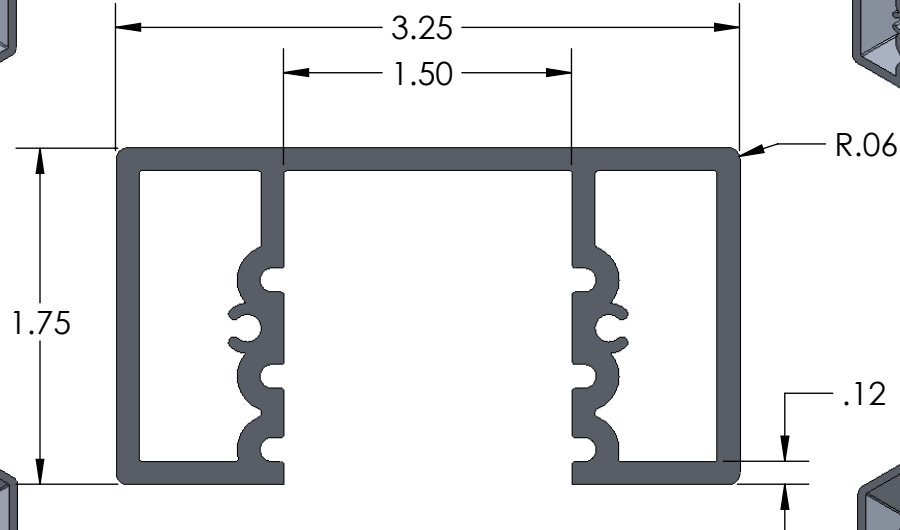
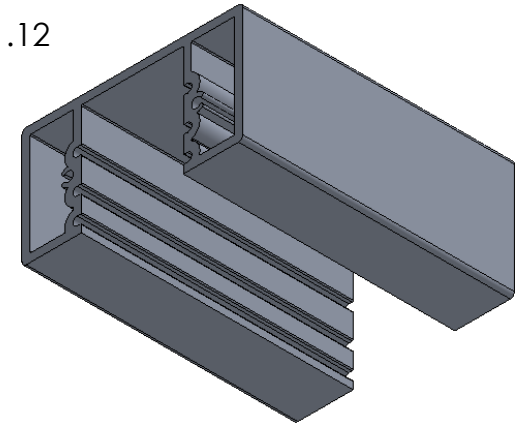
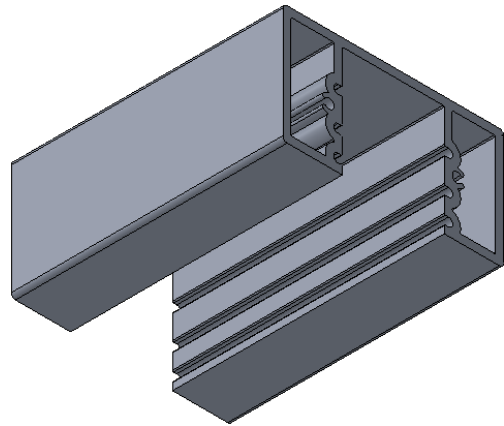
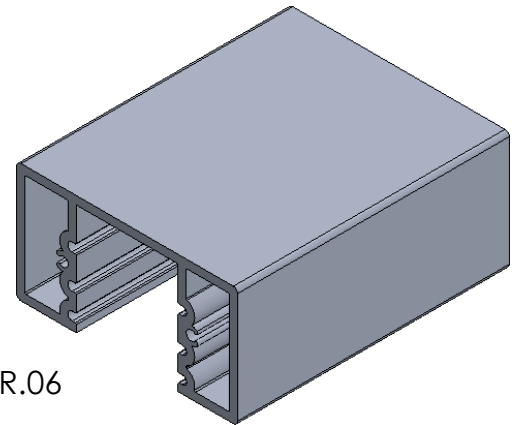
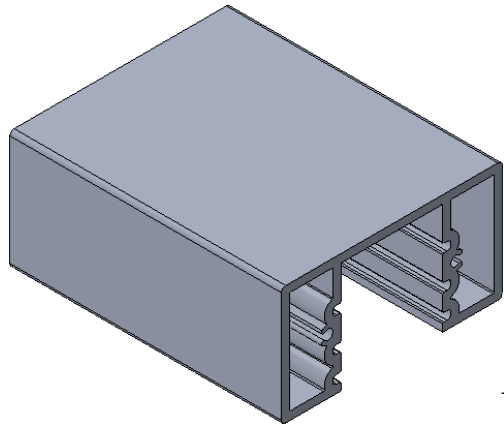


2

1

B

B



- MATES WITH:
- 1380101 - REVEAL CONNECTOR
 - 1380303 - EC-3.25 BLEED FRAME
 - 1380330 - END CAP

A

A

EST. WT/FT	1.62	UNLESS OTHERWISE SPECIFIED:	NAME	DATE
		DIMENSIONS ARE IN INCHES	DRAWN	
		TOLERANCES:	CHECKED	
		FRACTIONAL ±	ENG APPR.	
		ANGULAR: MACH ± BEND ±	MFG APPR.	
		TWO PLACE DECIMAL ±	Q.A.	
		THREE PLACE DECIMAL ±	COMMENTS:	
		INTERPRET GEOMETRIC TOLERANCING PER:		
		MATERIAL		
		6063-T6 ALUMINUM		
NEXT ASSY	USED ON	FINISH		
		MILL FINISH		
APPLICATION		DO NOT SCALE DRAWING		

P/N: 1380302

TITLE:



SIZE DWG. NO. REV

A EC-3.25 RECT POST

SCALE: 1:2 SHEET 1 OF 1

PROPRIETARY AND CONFIDENTIAL
 THE INFORMATION CONTAINED IN THIS DRAWING IS THE SOLE PROPERTY OF EXCELLART SIGN PRODUCTS, LLC. ANY REPRODUCTION IN PART OR AS A WHOLE WITHOUT THE WRITTEN PERMISSION OF <INSERT COMPANY NAME HERE> IS PROHIBITED.

2

1